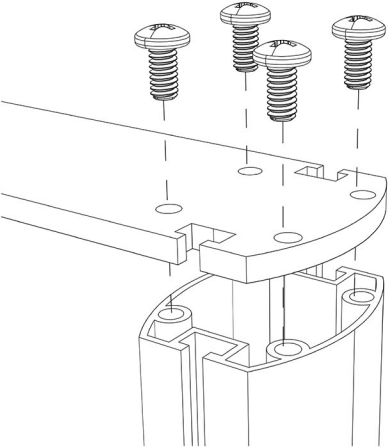
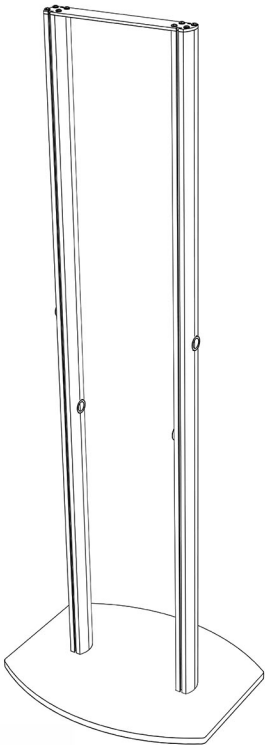
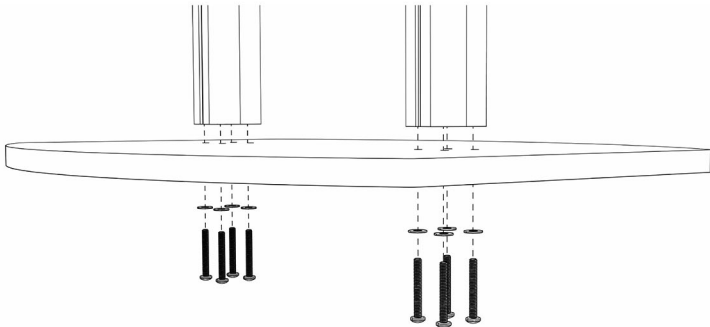


LBSSVB, LBSBKB Assembly Instructions

1. Attach top plate to poles using small 1/4-20 bolts.

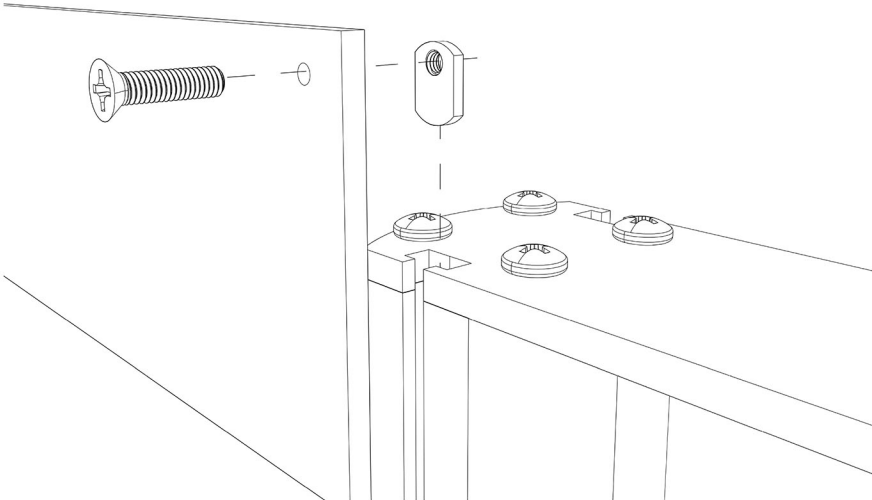


2. Attach poles to base using larger 1/4-20 bolts with the provided washers.



Completed Stand

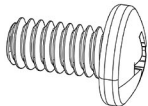
3. In order to attach items to the pole thread the flat head bolt through the mounting hole. This is located under the hinged flap on the light boxes or snap frames. Then thread on the weld nut, leave it loose. Do this for all mounting holes then slide the weld nuts down into the channels. Align at desired height, tighten bolts to secure.



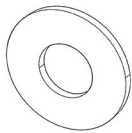
8X Large 1/4-20 Bolt



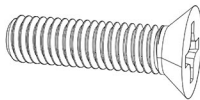
8X Small 1/4-20 Bolt



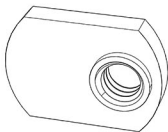
8X Washers



8X Flat Head Bolt



8X Weld Nuts

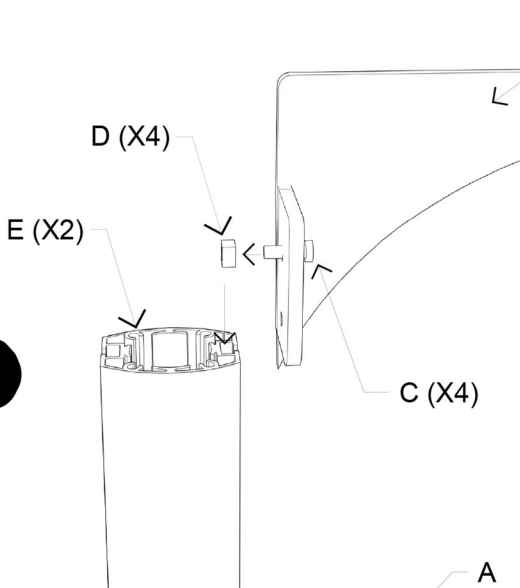


ASSEMBLY INSTRUCTIONS

LBTABLEF

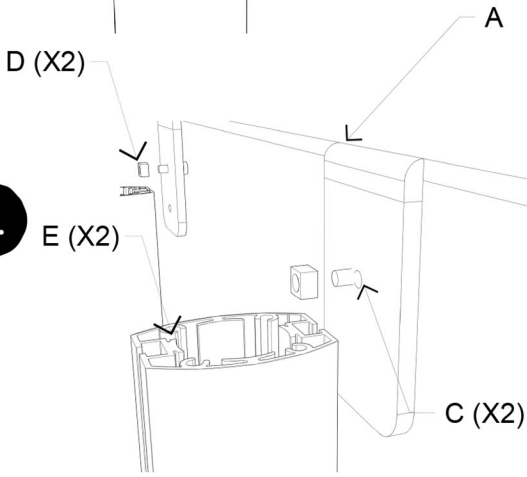
LBTABLEP

1.



1.) ATTACH SUPPORTS USING BOLTS (CX2) AND NUTS (DX2). SLIDE NUT INTO FRONT GROOVE ON EXTRUSION. SLIDE DOWN EXTRUSION TO DESIRED HEIGHT, TIGHTEN SCREW. REPEAT SAME STEPS TO OTHER SIDE.

2.



2.) ATTACH SHELF USING BOLTS (CX2) AND NUTS (DX2). SLIDE NUT ATTACHED TO SHELF DOWN GROOVE ON EXTRUSION ON SAME SIDE THAT HAS SUPPORTS.

3.



3.) FASTEN BOLTS DOWN ON SHELF, ALLOW SHELF TO REST ON SUPPORTS.

KEY

- A SHELF (1)
- B SUPPORT (2)
- C BOLT (6)
- D NUT (6)
- E EXTRUSION

PROVIDED TOOLS:

ALLEN WRENCH