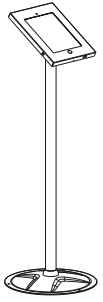
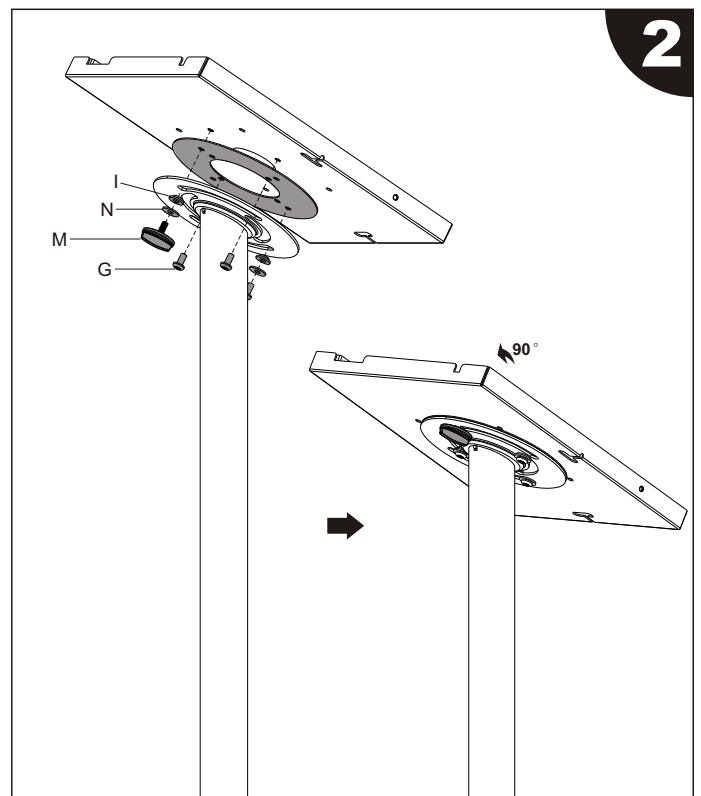
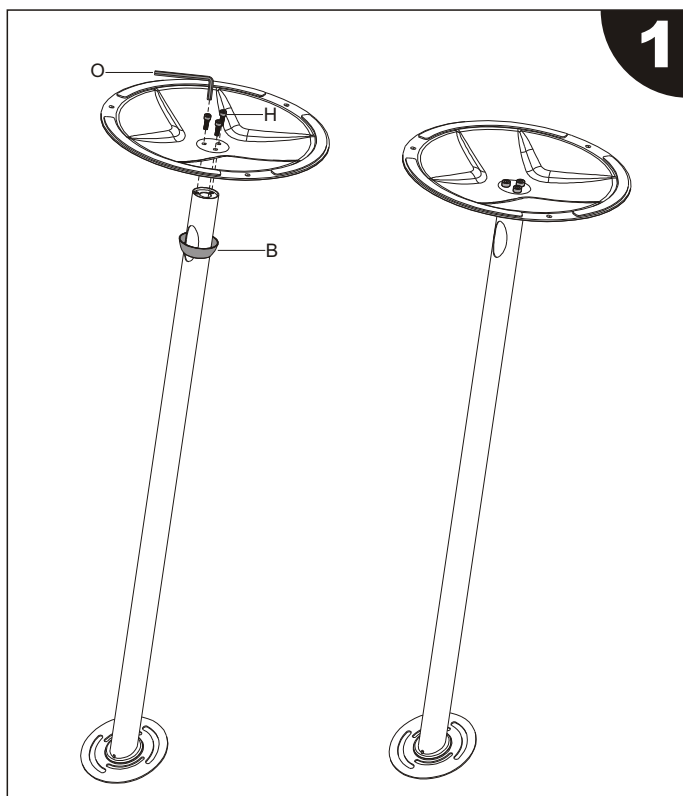


# Installation Instruction

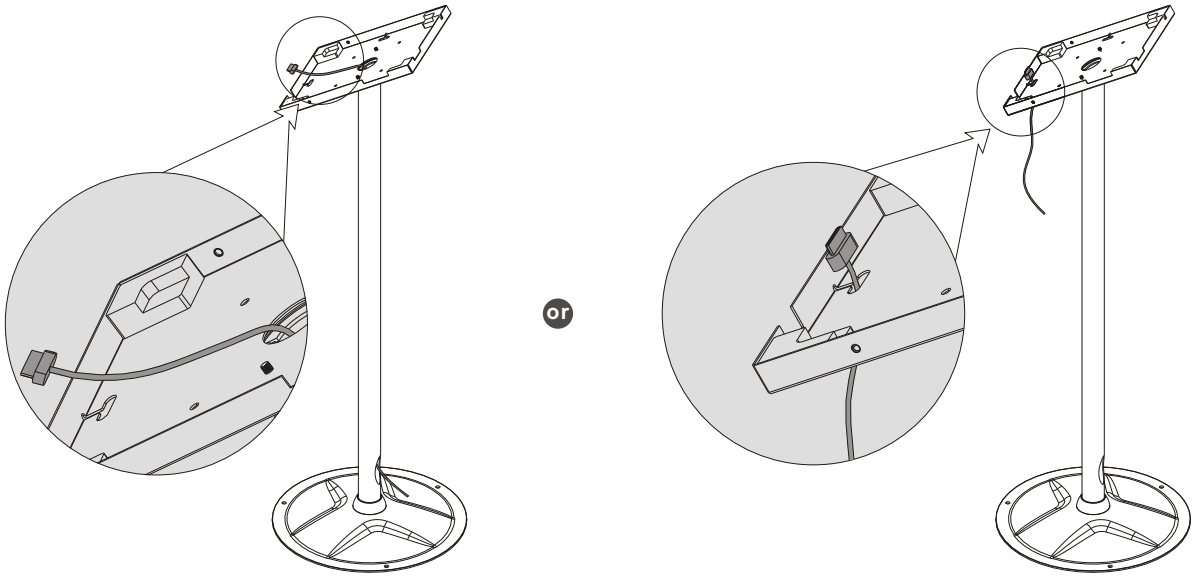


ITEM	DESCRIPTION/PART NO.	QUANTITY
A	tube	1
B	plastic cover	1
C	washer	1
D	base	1
E	rear cover	1
F	front cover	1

ITEM	DESCRIPTION/PART NO.	QUANTITY
G	M5x8(tamper-proof screw)	5
H	M6x20	3
I	Φ13.5xΦ5.5x3.2	2
J	TORX tool	1
K	ST6.3x55	3
L	Concrete anchor	3
M	Turn-knob	1
N	D5 washer	2
O	5mm Allen key	1
P	Button	1

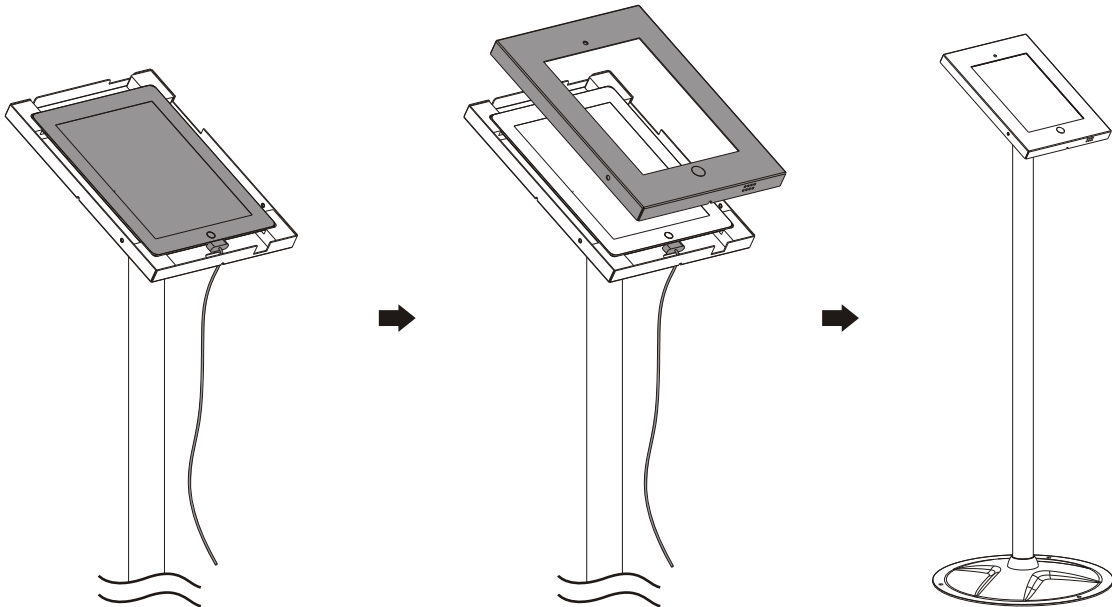


3

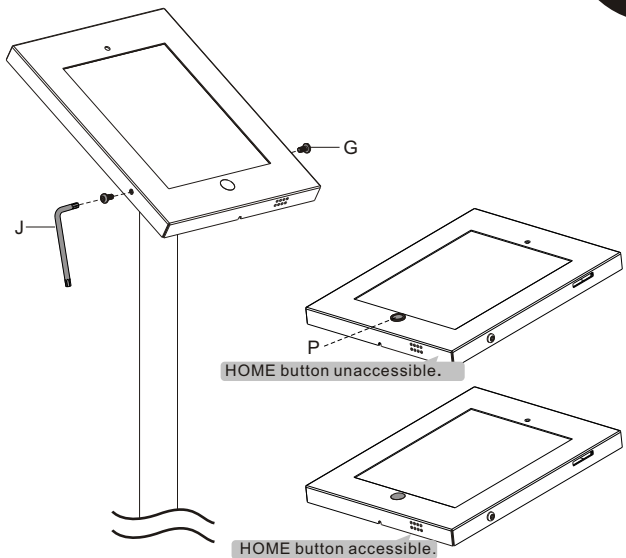


or

4



5



6

