

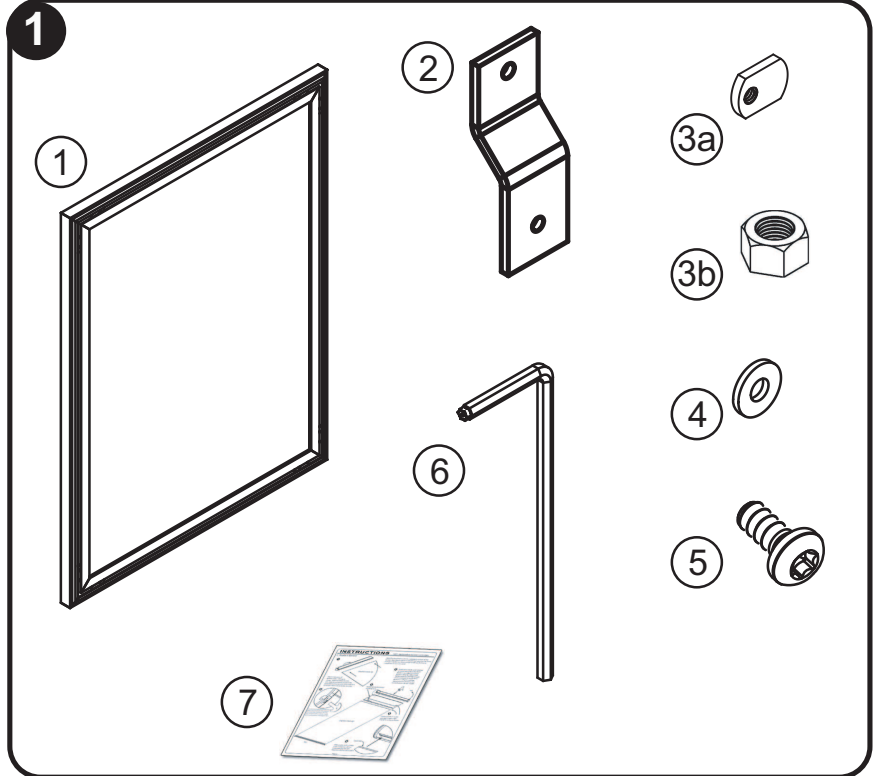
LEDPLBRAK

Parts List

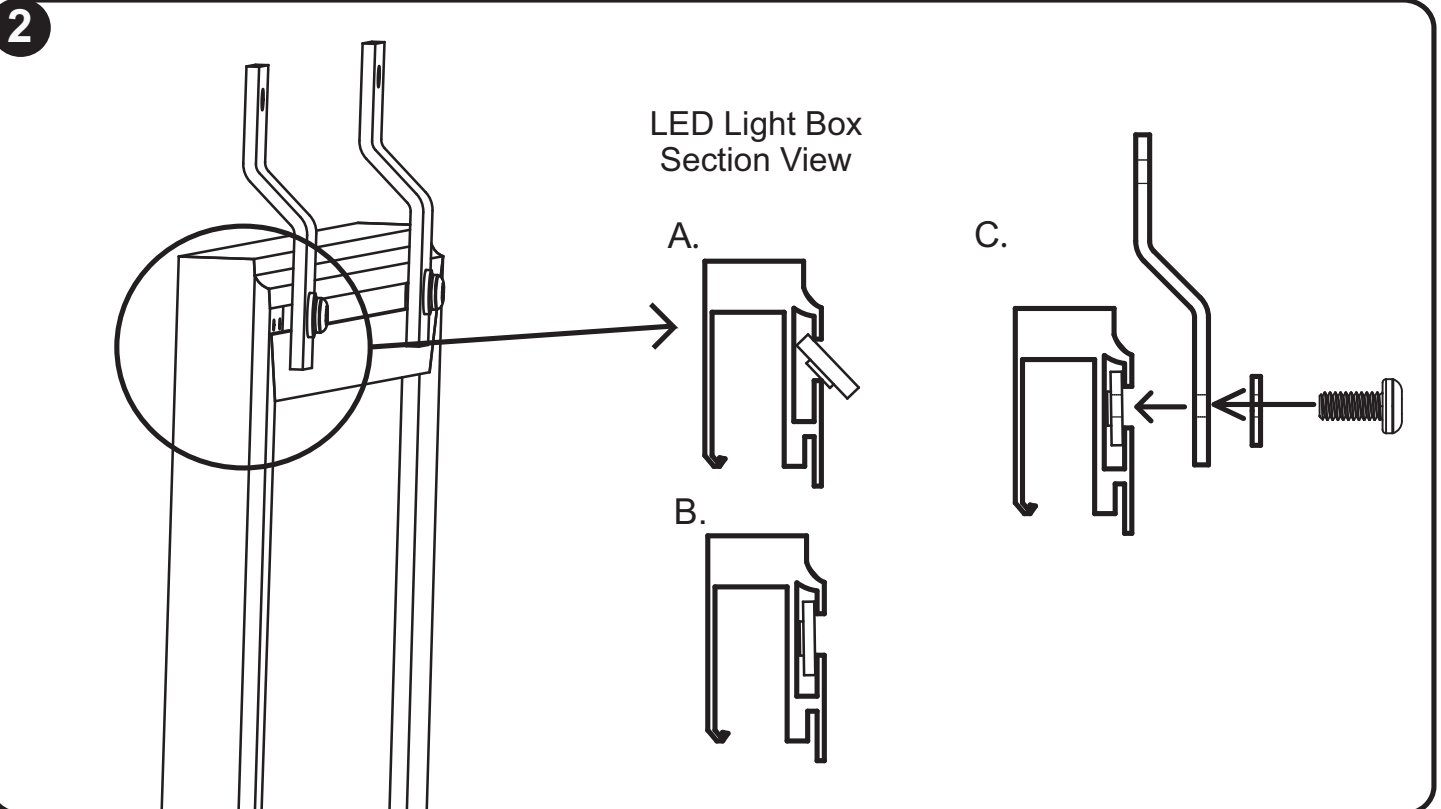
#	Description	QTY
1.	LED Lightbox	1
2.	LED Bracket	1
3a.	Weld Nut †	4
3b.	Hex Nut ‡	4
4.	Washer	4
5.	Screw	4
6.	Hex Key	1
7.	Instruction Sheet	1

† Use Weld Nut, Part #3a, for LEDEC light boxes.

‡ Use Hex Nut, Part #3b, for LPLED light boxes.



1. Remove the components from boxes.



2. To mount bracket onto frame: [A] Place nut in channel on back of LED box. When using weldnut, part #3a, raised area must face toward channel. Insert the nut diagonally by starting with the top edge and [B] pushing the bottom edge in last. [C] Align LED bracket with threaded hole in nut. Place washer onto screw and screw through bracket into nut. Tighten with hex key. Repeat with second bracket. Light box can hang in landscape or portrait.