

Light Box Frames

Wall Mounting Method

Note:

Please read all directions before mounting.

Step 1: Mark Frame Position on Wall

Hold frame in position on wall. Check to make sure frame is level (use of a construction level is recommended). Snap open frame sides to expose mounting holes in frame. With a pen or pencil, mark hole position on wall through mounting holes.

Step 2: Drill Holes for Wall Anchors

Using a drill with a proper drill bit size appropriate for the size of the anchor being used, drill the holes through the wall for the anchors.

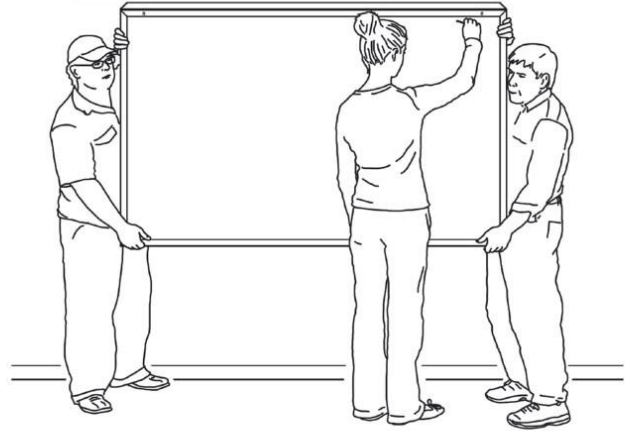
Step 3: Install Anchor Bolts

Push anchor bolts into drilled holes, with the nut and bolt end facing out. Tighten nut on anchor to force the opposite end of the anchor to spread out and lock anchor in wall (Fig. 3A). After anchor is locked, remove nut and washers from threaded end (Fig 3B) and save for Step 4.

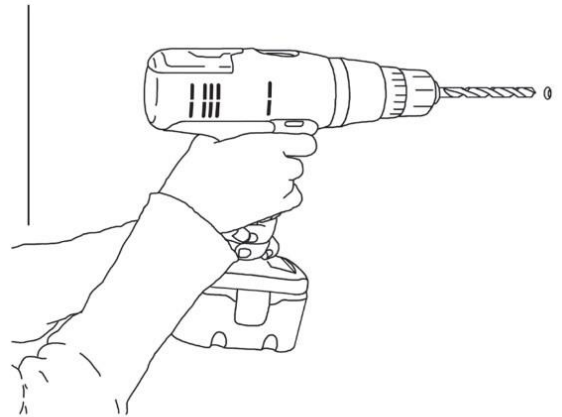
Step 4: Hanging Light Box on Wall Anchor Bolts

Through the mounting holes in frame, hang light box over the anchor bolts (Fig. 4A). Install washers and nuts saved from Step 3 and tighten with wrench or nut driver (Fig.4B).

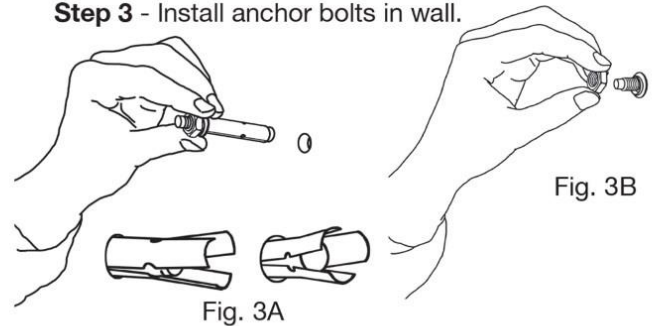
Step 1 - Level frame and mark position on wall.



Step 2 - Drill holes in wall for installing wall anchors.



Step 3 - Install anchor bolts in wall.



Step 4 - Hanging light box on wall anchors.

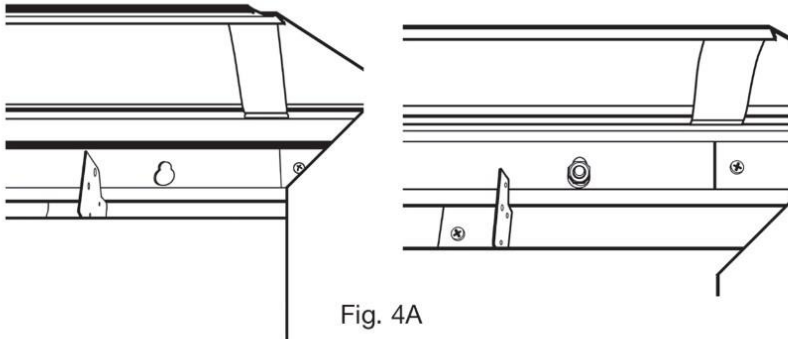


Fig. 4B

