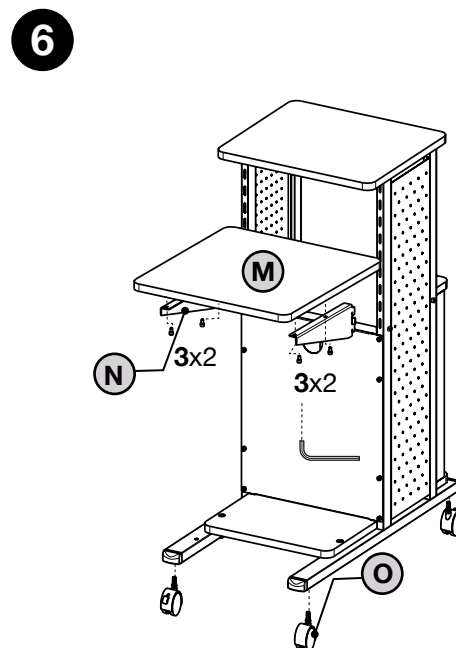
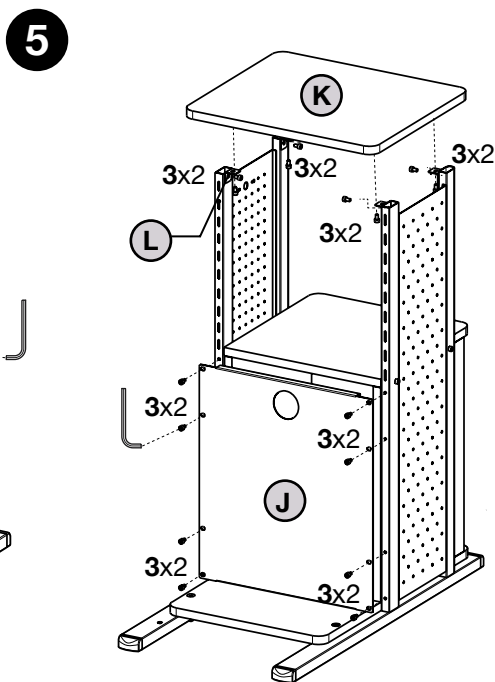
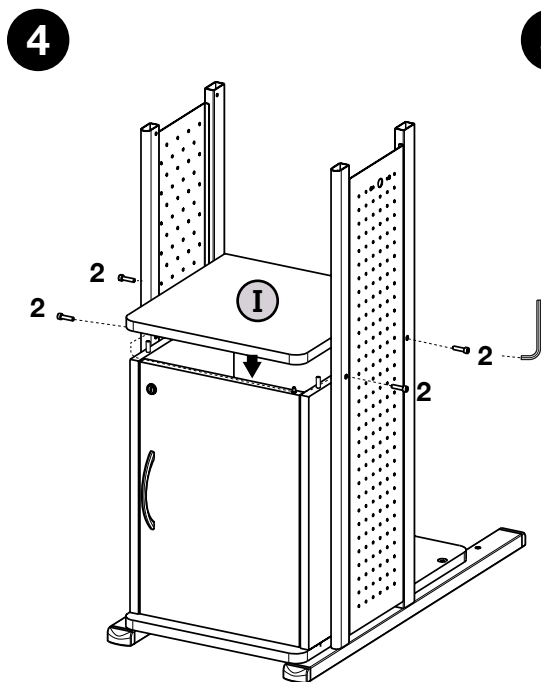
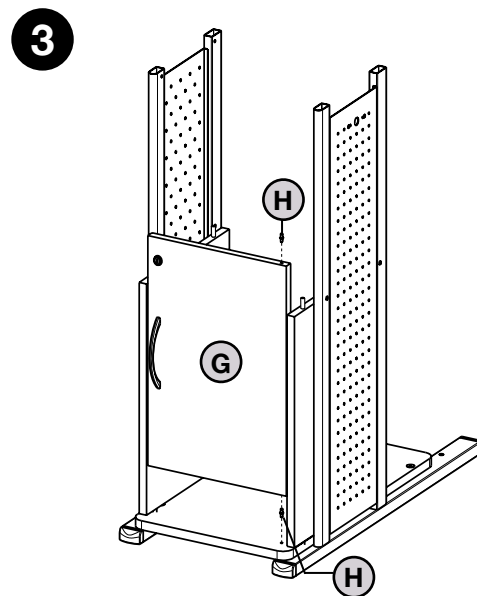
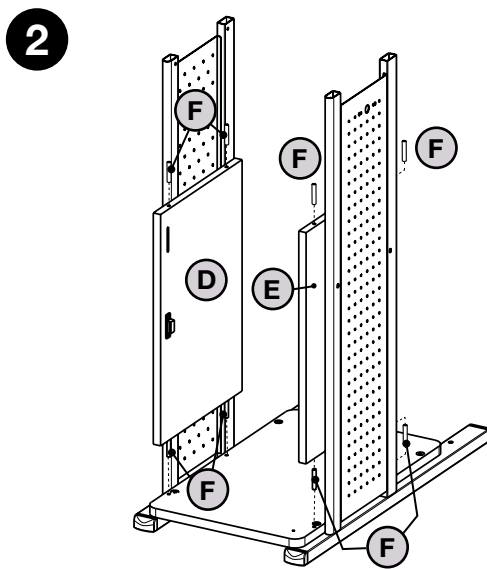
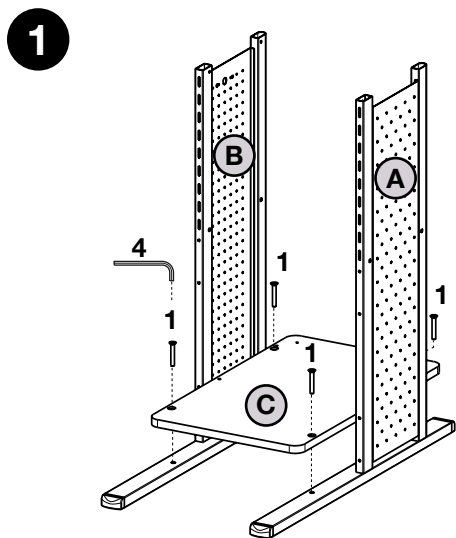
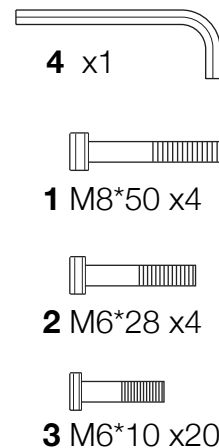
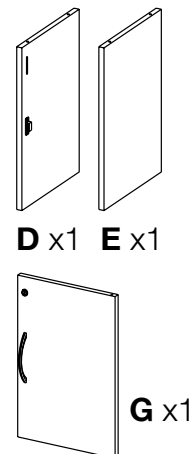
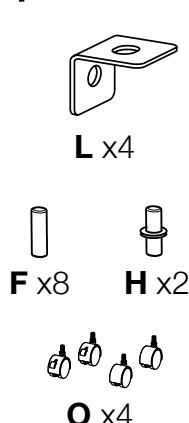
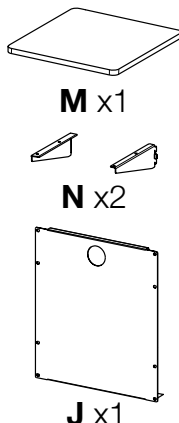
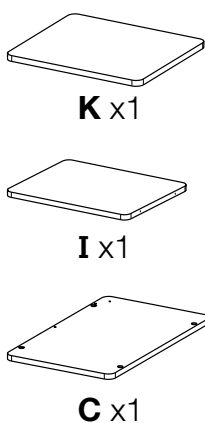
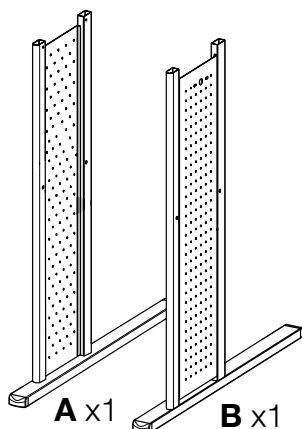


www.luxorfurn.com
www.hwilson.com

Parts List

Tools Included

- Allen Wrench

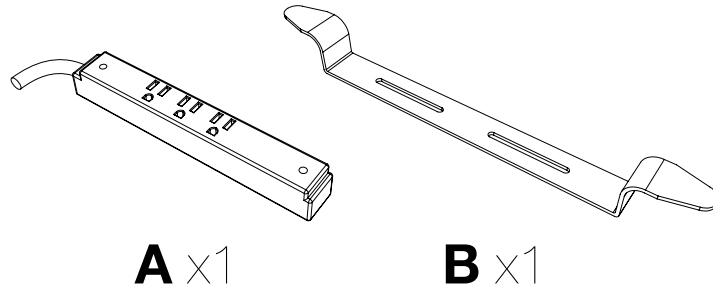


www.luxorfurn.com
www.hwilson.com

Electric Assembly Instructions

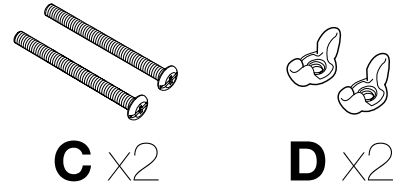
Number of outlets may vary.

Parts List

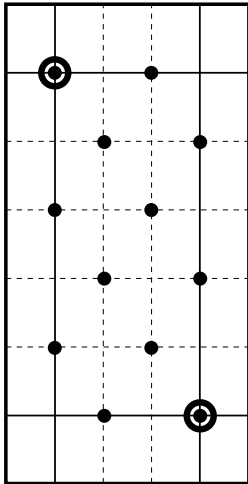


Tools Required

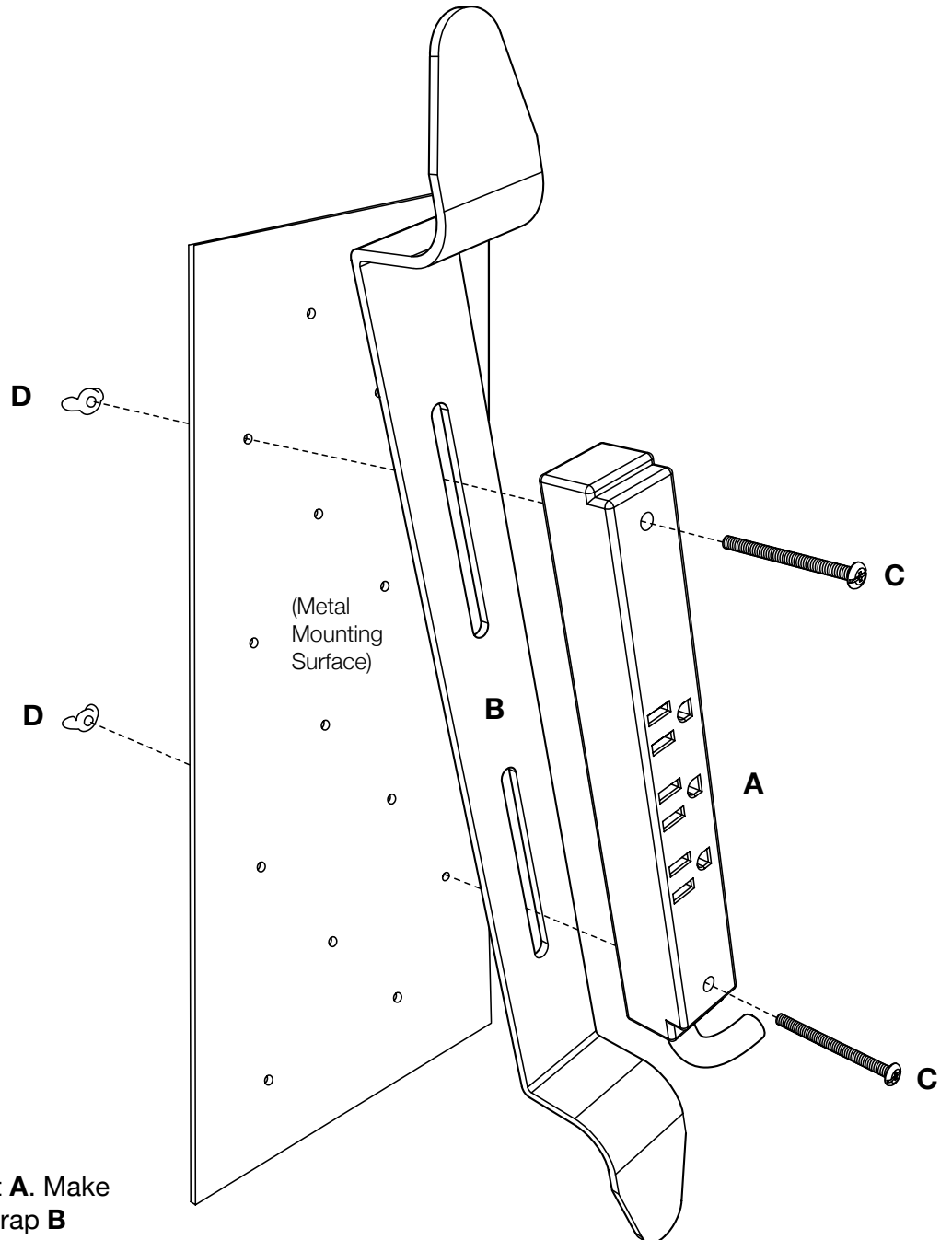
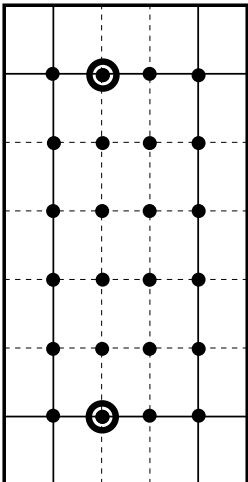
- Screwdriver



Slanted Hole Pattern



Straight Hole Pattern



1

Push screw **C** through electric outlet **A**. Make sure the electric outlet **A** and cord wrap **B** align with the mounting surface hole pattern. Push screw **C** through cord wrap **B** and the mounting surface screw holes. Use wing nut **D** and screwdriver to fasten.