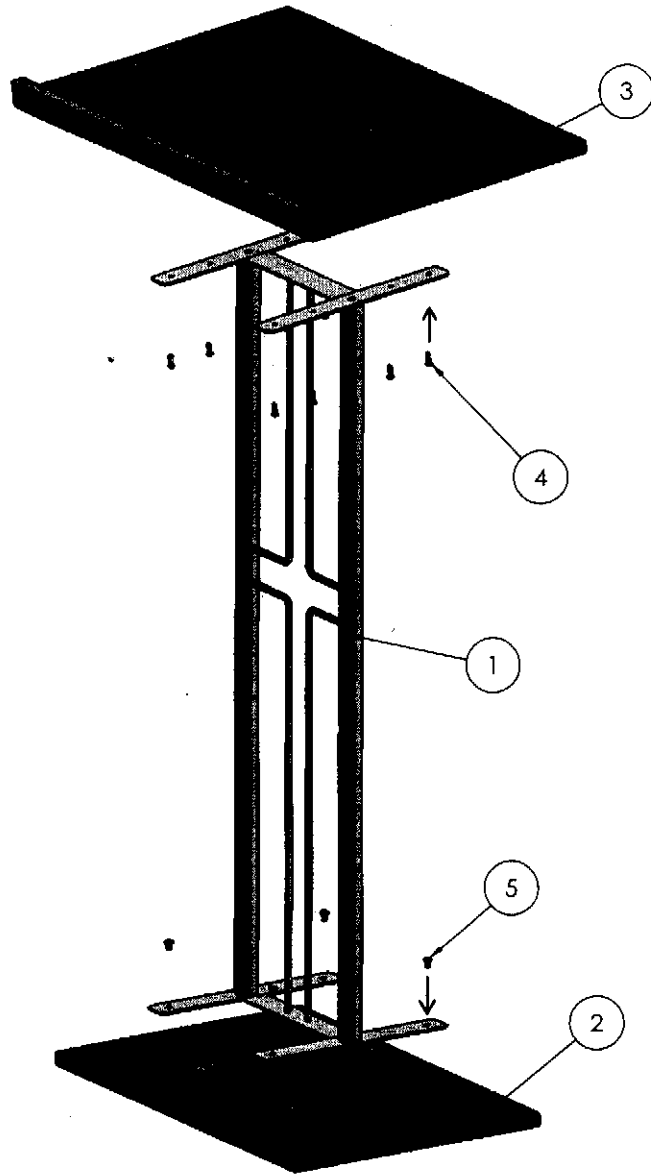


Assembly Instructions



- ① Metal frame 1pcs
- ② Bottom wood base 1pcs
- ③ wood top panel 1pcs
- ④ wood screws 5*15 8pcs
- ⑤ Phillips pan head screws M6*12 4pcs