
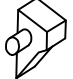

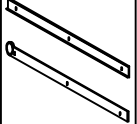


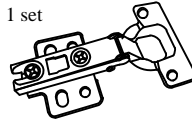

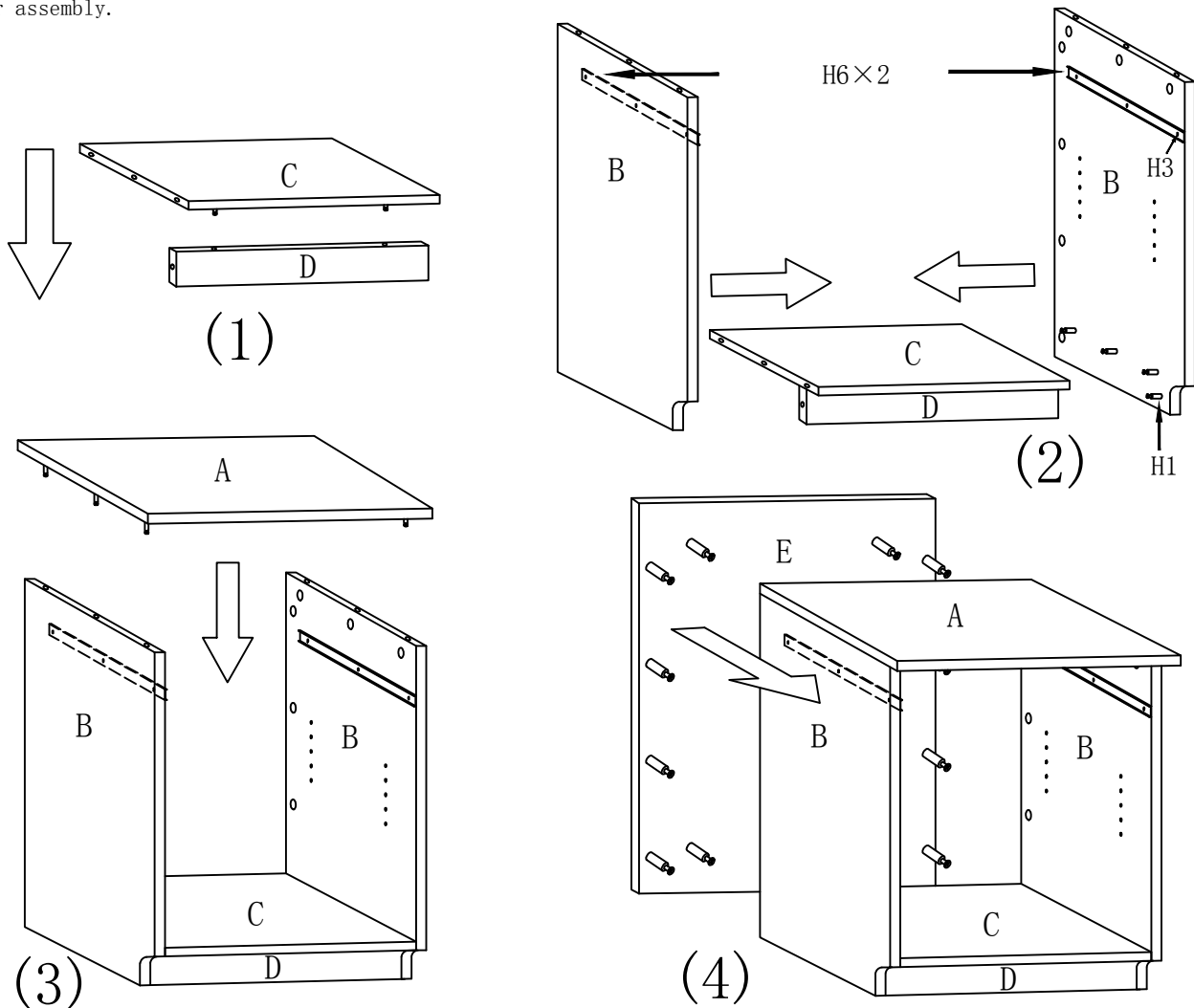


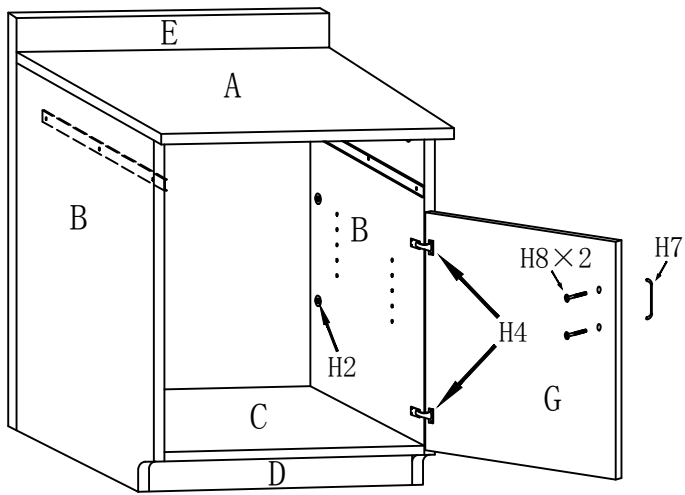
# SINGLE DOOR WAITRESS STATION

## Assembly Instructions

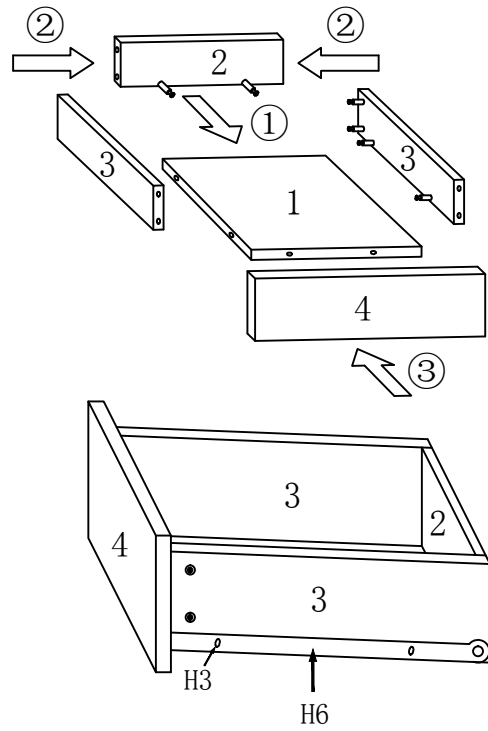
PARTS			HARDWARE BAG							
A	Top Panel	1 pc	H1	Cam Lock	44 pcs		H5	Adjustable Pin	4 pcs	
B	Side Panel	2 pcs								
C	Bottom Panel	1 pc	H2	Cam Post	44 pcs		H6	Track Slide	1 set	
D	Toe Kick Panel	1 pc								
E	Back Panel	1 pc	H3	Wood Screw	20 pcs		H7	Handle	1 pc	
F	Shelf	1 pc								
G	Door	1 pc	H4	Hinge	1 set		H8	Handle Screw	2 pcs	
1~4	Drawer panel	5 pcs								

Attention: Before you start assembling your waitress station; please prepare a soft surface work area on the floor. The only tool you will need is a screwdriver. Carefully remove all hardware from packaging and place the hardware parts on the soft work area where they will not come in contact with the laminated wood lectern components. To avoid damage to the laminated wood surfaces, keep hardware parts separated until they are needed for assembly.

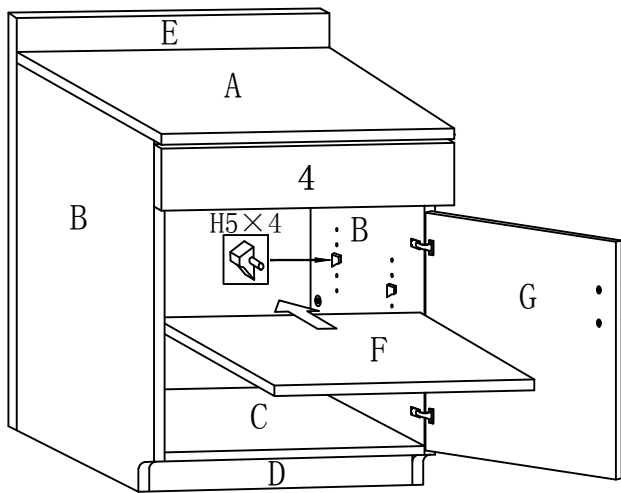




(5)



(6)



(7)

