
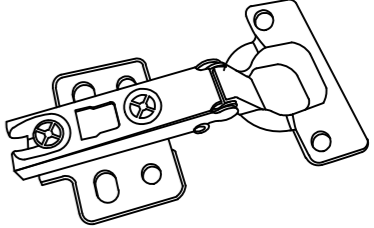

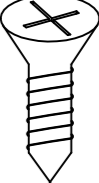


TRASH RECEPTACLE

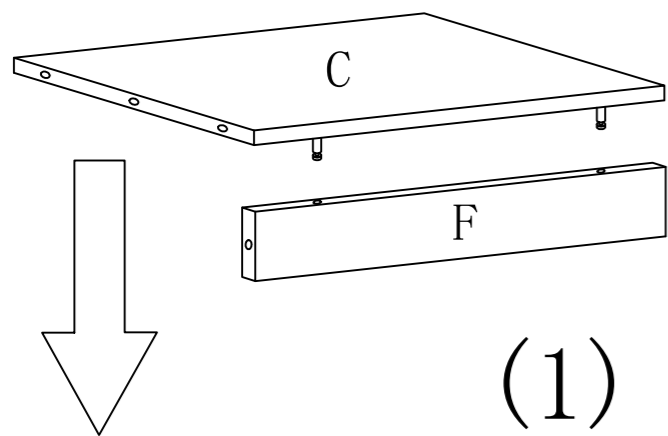
(Unit with recycling)

M8530-6

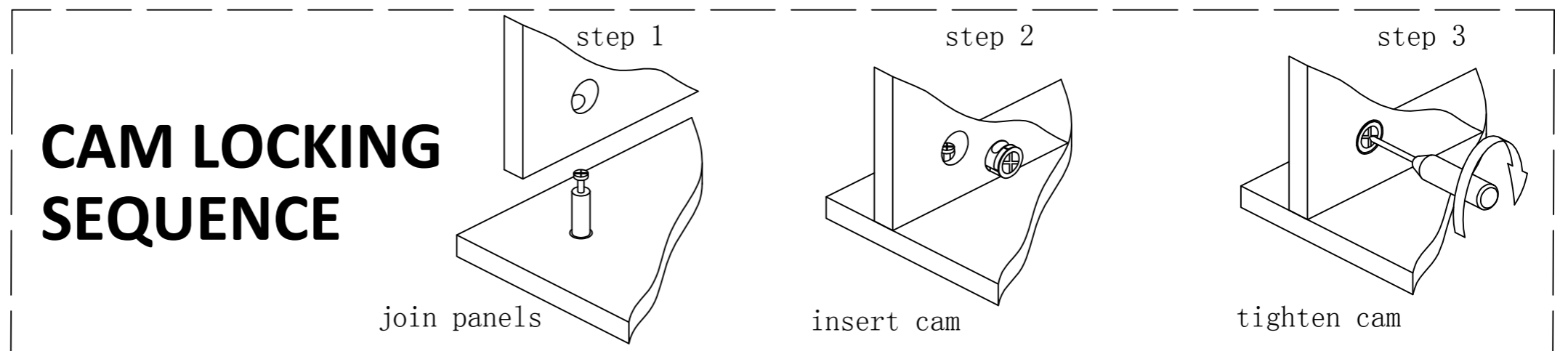
Assembly Instructions

PARTS			HARDWARE BAG								
A	Top Panel	1 pc	H1	Cam Lock	61 pcs		H3	Hinge	2 sets		
B	Side Panel	3 pcs									
C	Bottom Panel	2 pcs	H2	Cam Post	61 pcs		H4	Wood Screw	24 pcs		
D	Back Panel	1 pc									
E	Shelf	1 pc	g	"TRASH" Flip Door	1 pc						
F	Toe Kick Panel	2 pcs	H	Horizontal Tablet	1 pc						
G	Door	2 pcs									

Attention: Before you start assembling your trash receptacle; please prepare a soft surface work area on the floor. The only tool you will need is a screwdriver. Carefully remove all hardware from packaging and place the hardware parts on the soft work area where they will not come in contact with the laminated wood components. To avoid damage to the laminated wood surfaces, keep hardware parts separated until they are needed for assembly.



(1)

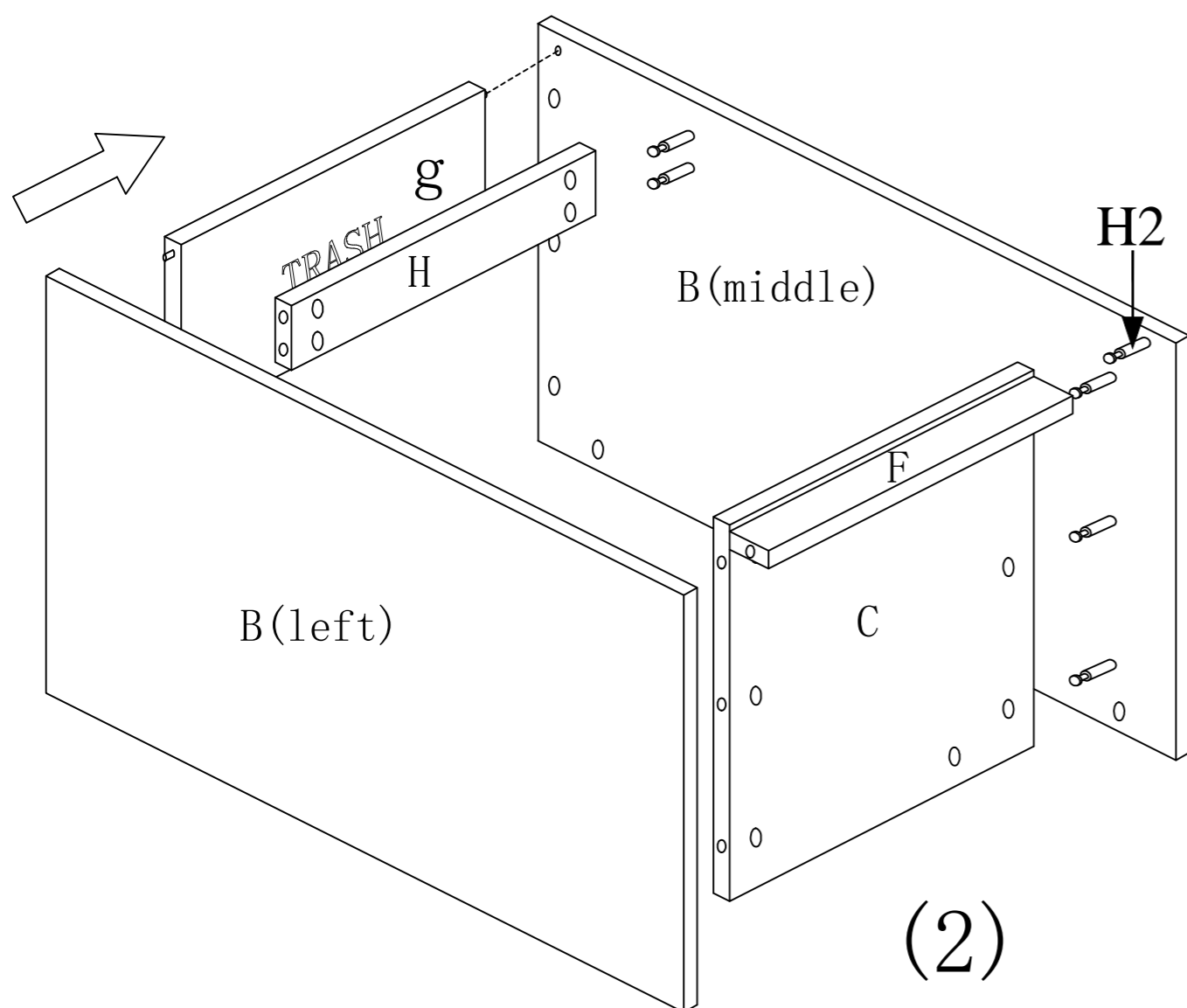


CAM LOCKING SEQUENCE

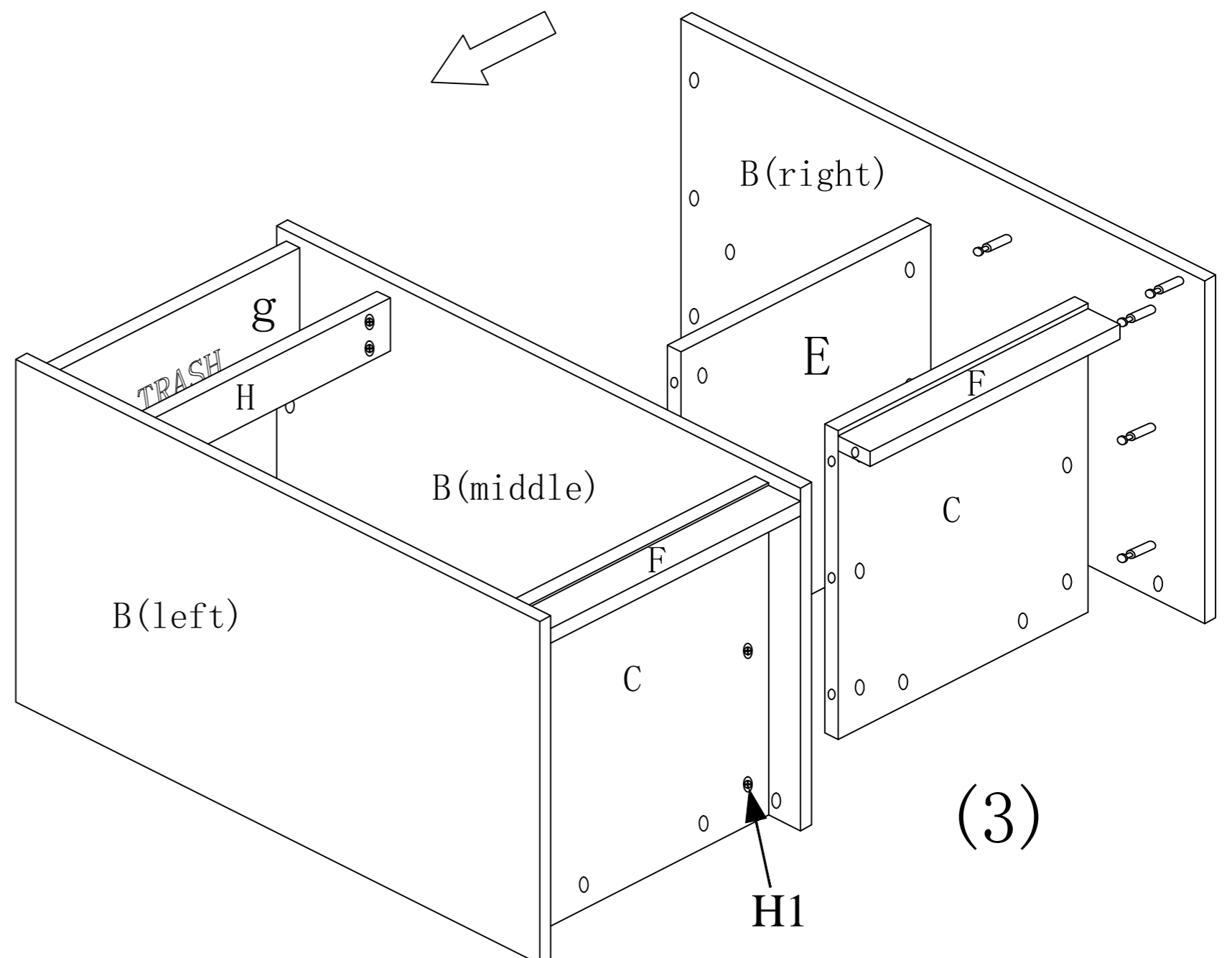
join panels

insert cam

tighten cam

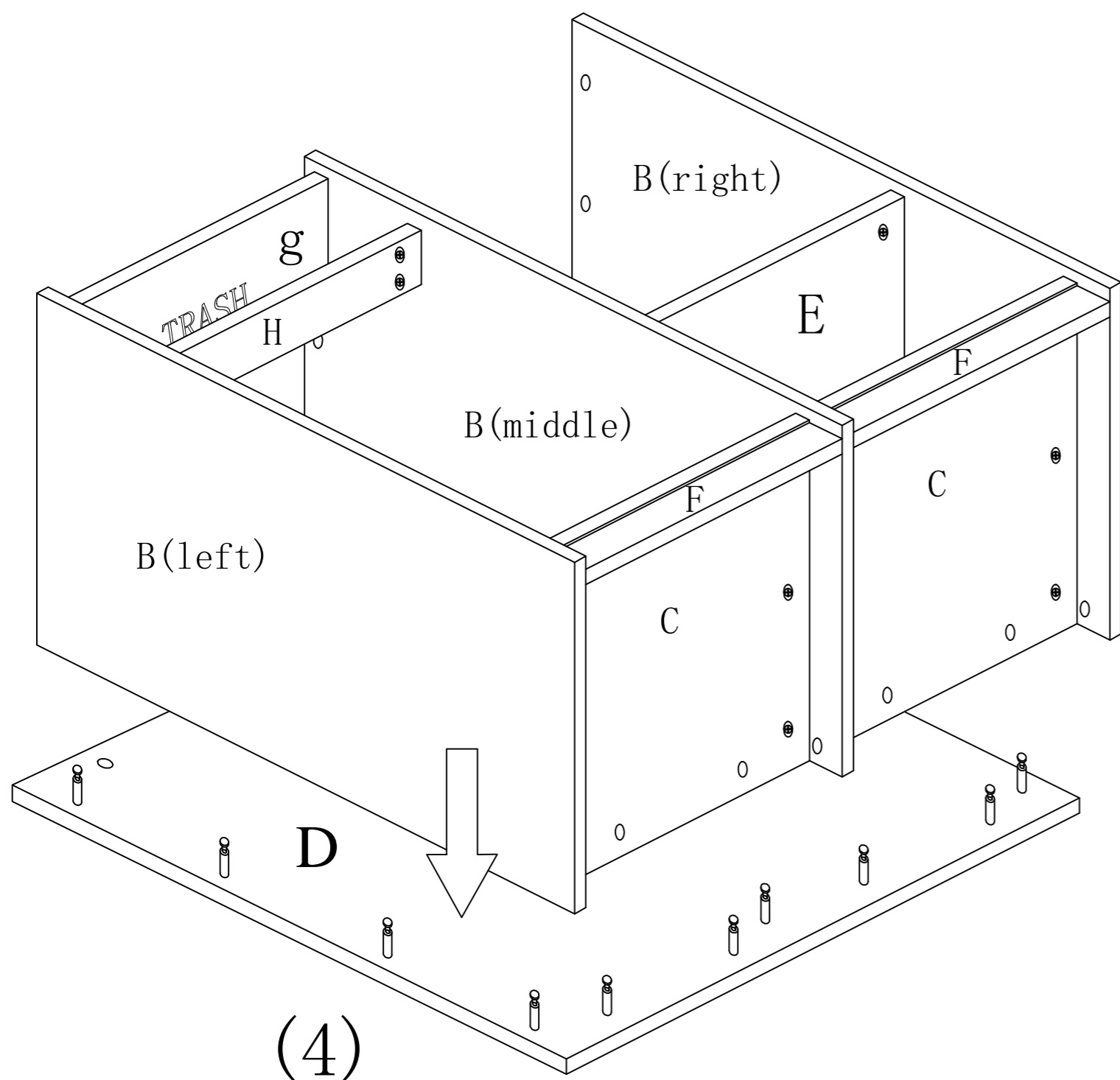


(2)

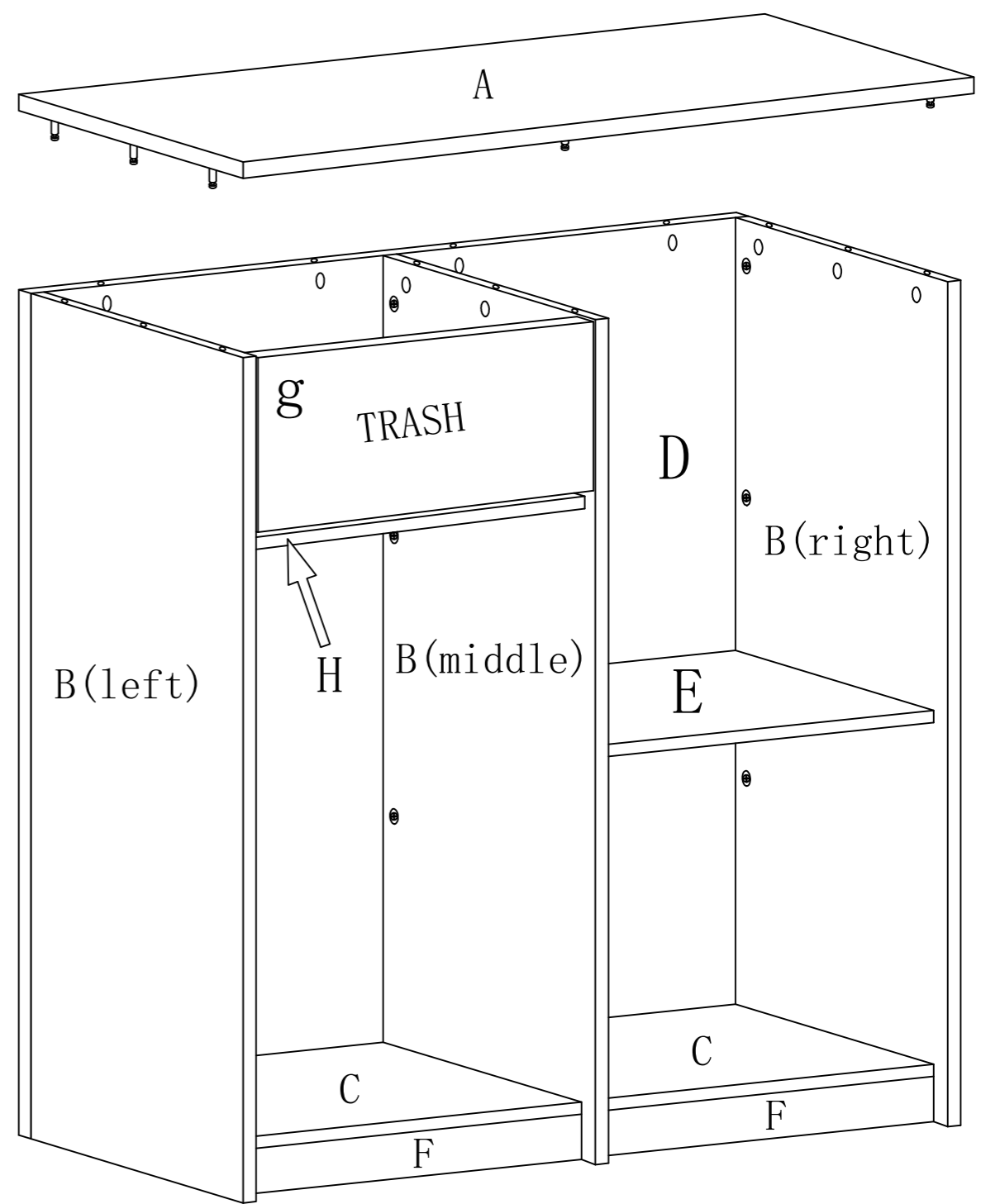
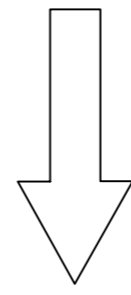


(3)

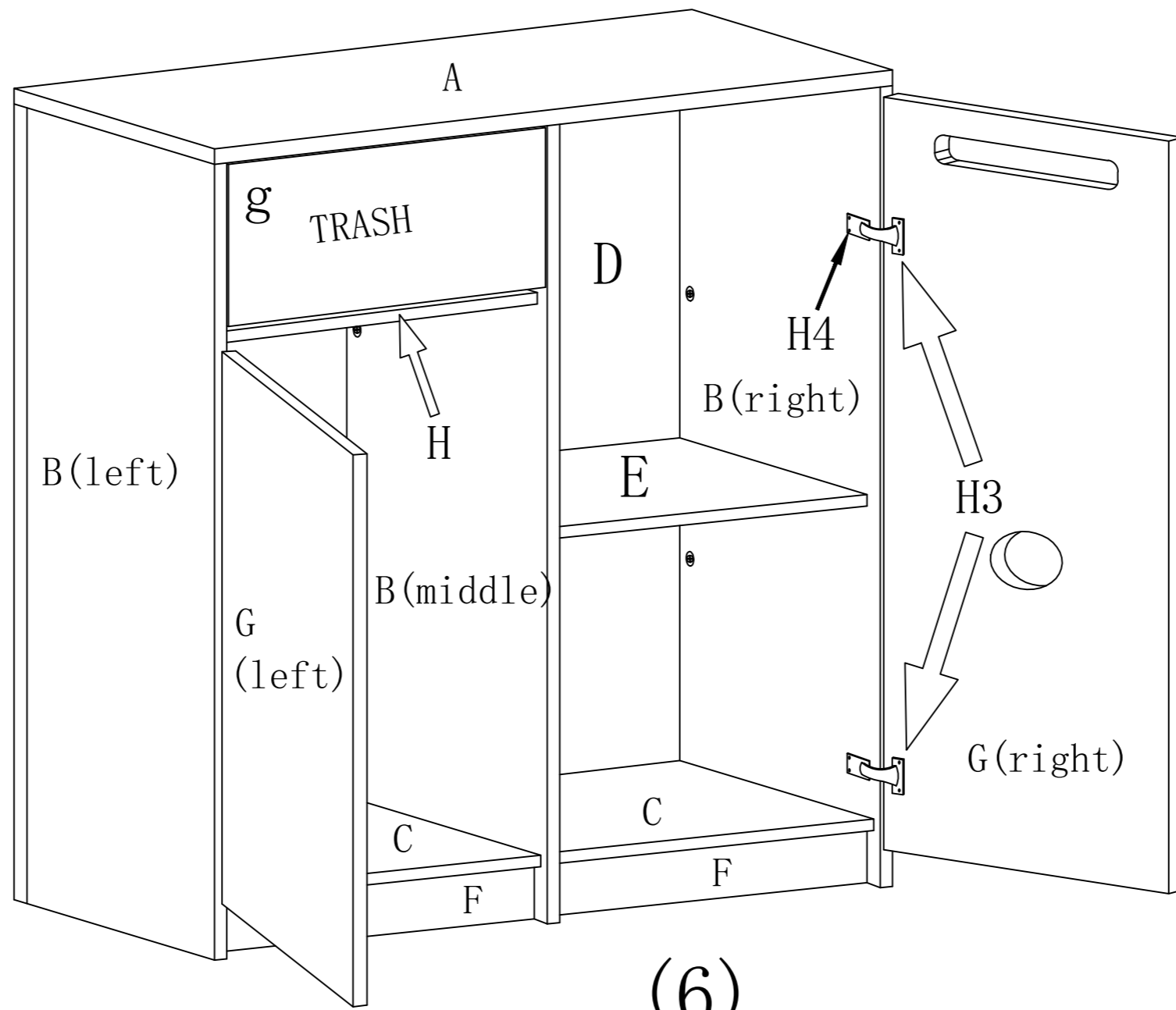
From Step 2 to 4, please use horizontal installation method to avoid any possible damage.



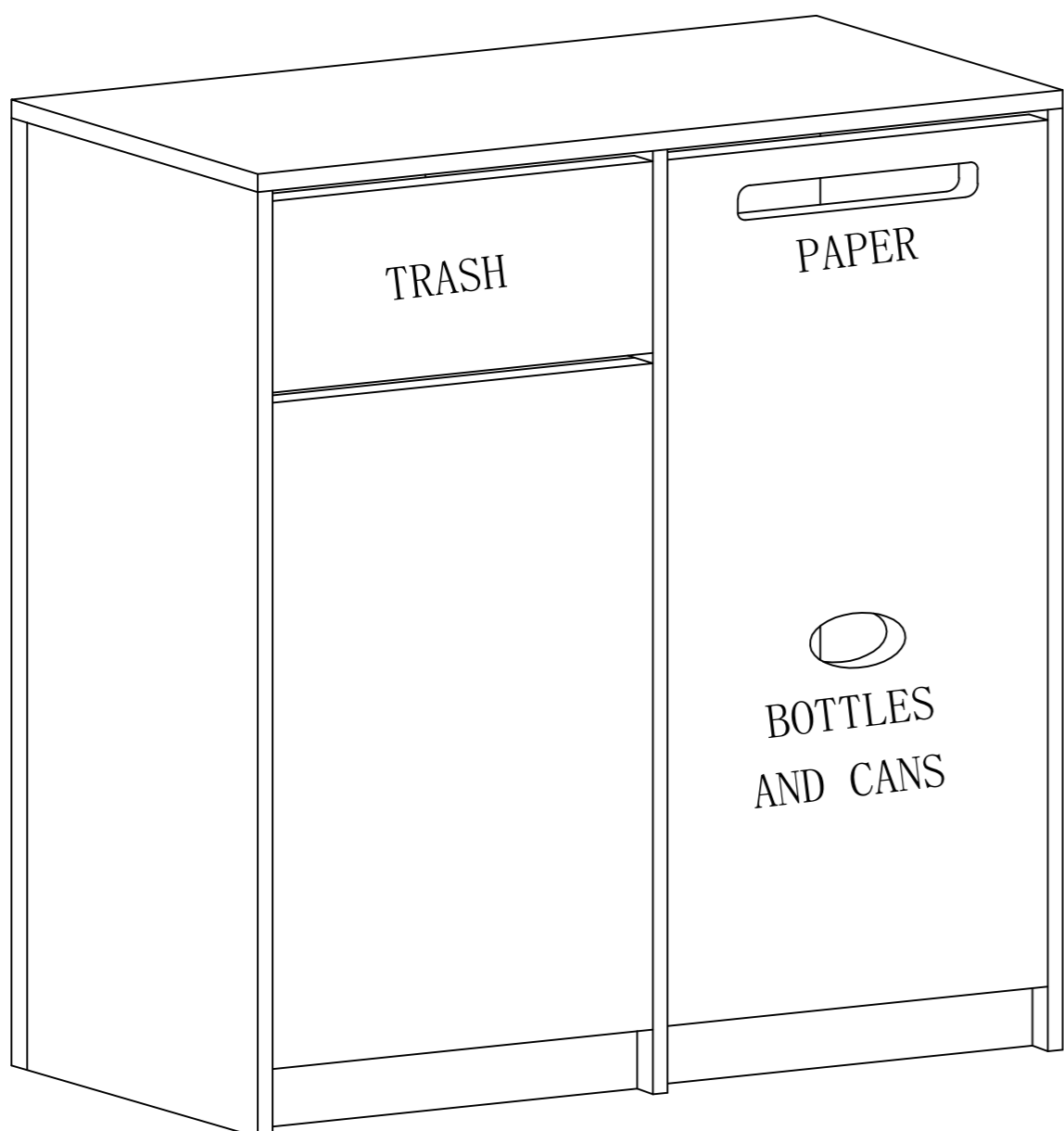
(4)



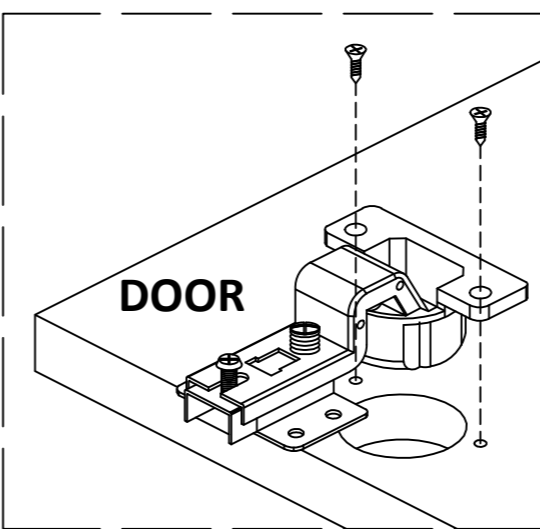
(5)



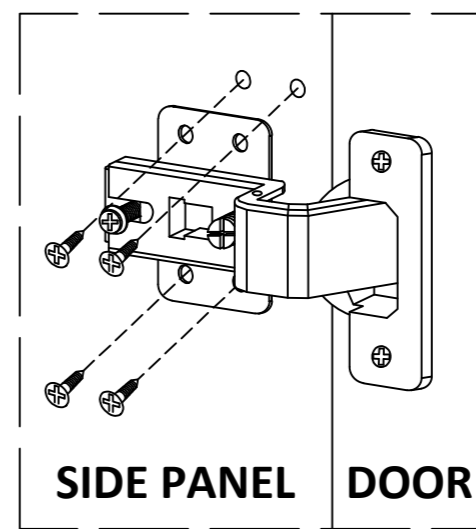
(6)



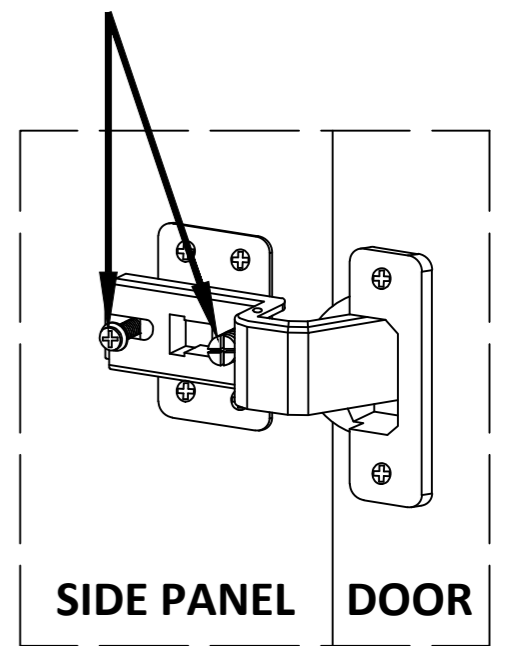
HOW TO ADJUST DOOR: loosen screws and adjust door and re-tighten.



DOOR



SIDE PANEL DOOR



SIDE PANEL DOOR