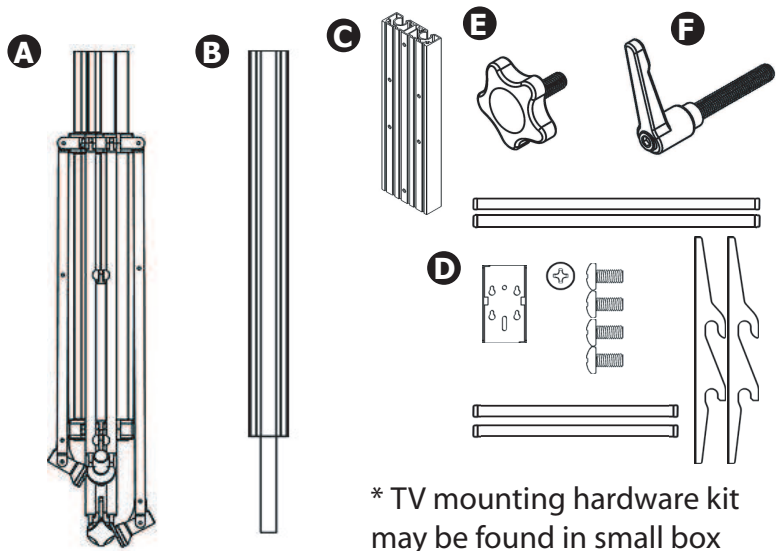


# LCD1POLE Single Pole Assembly Instructions



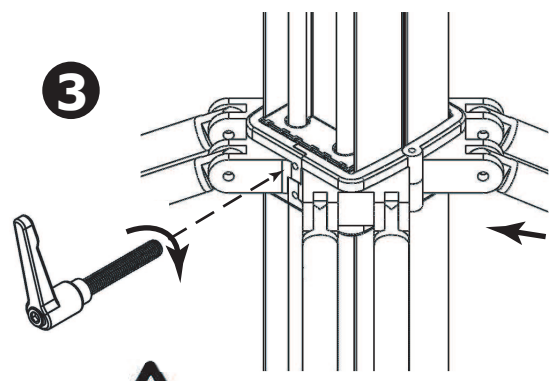
\* TV mounting hardware kit may be found in small box between casters or inside case with stand.

## What Is In The Box

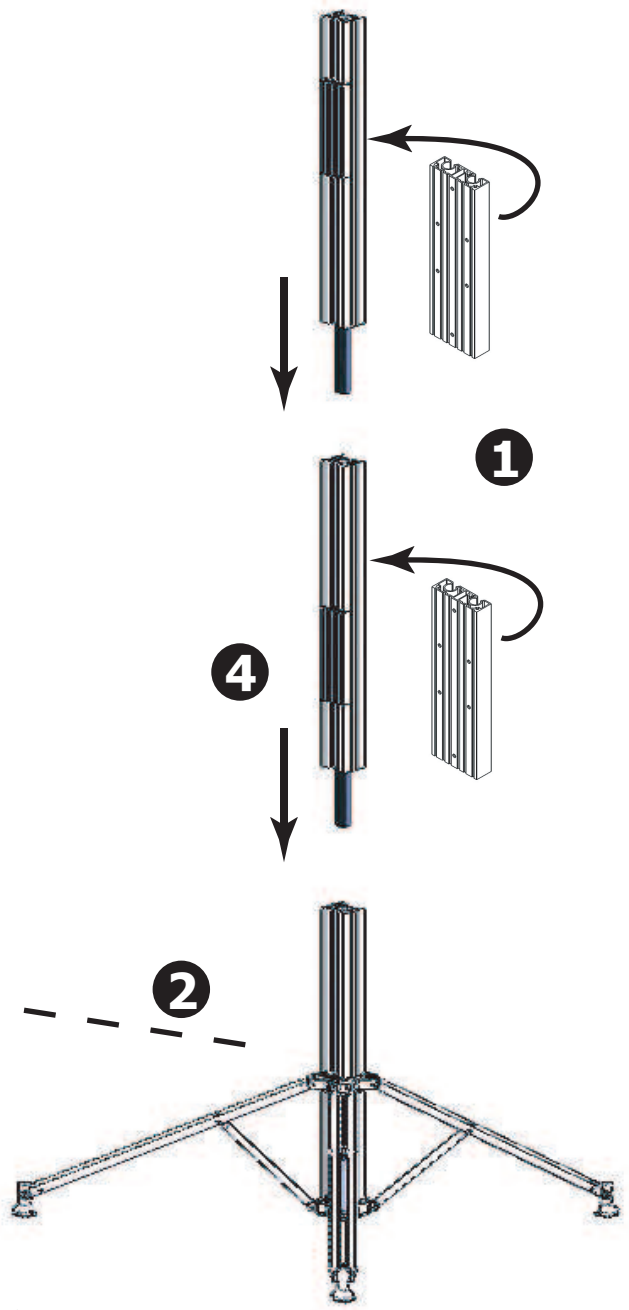
Description	QTY
A. Leg Section	1
B. Upper Section	2
C. Shuttle	4
D. LCD Bracket	2
E. Knob, Threaded	8
F. Handle, Threaded	1
G. TV Mounting Hardware*	1 Kit
Instruction Sheet	1

## LCD Single Pole Assembly

1. Verify all parts are present. Remove one shuttle from each Upper Section (A) and slide and secure onto opposite side of same section.
2. Take lower Leg Section (A) and extend legs. Feet and bottom of pole must rest on flat surface.
3. Adjust collar at top of legs so catch snaps into hole on back of post. Turn threaded handle insuring that it enters hole in post. Collar must be secure and not slide up or down.
4. Take One Upper Section (B) and insert into Leg Section (A). Repeat as shown in figure 3.

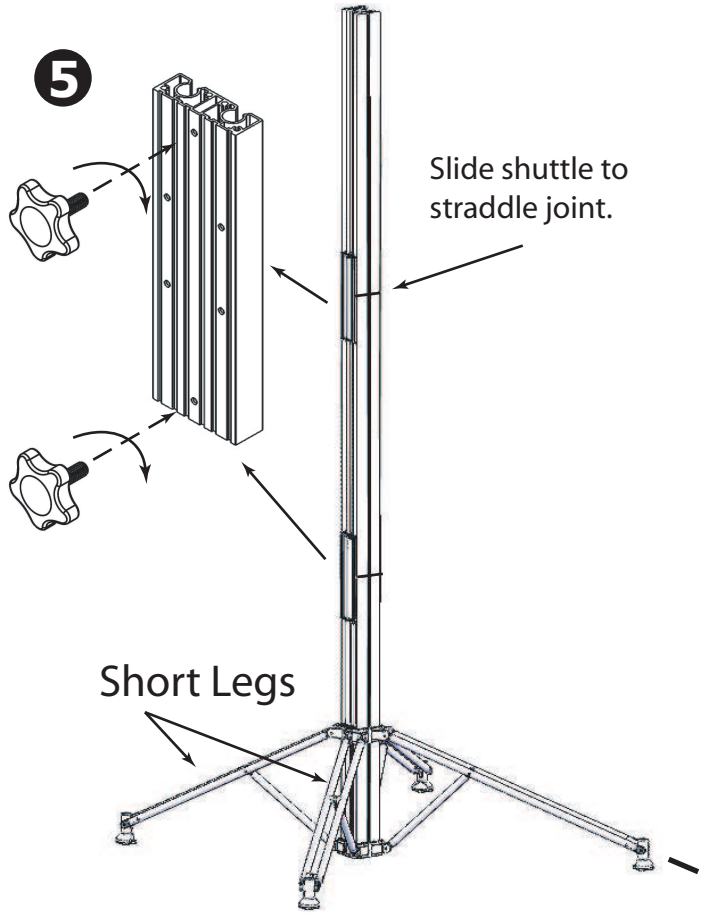


**IMPORTANT!**  
Collar must be secure and not slide up or down before loading.



# • LCD1POLE Single Pole Assembly Instructions •

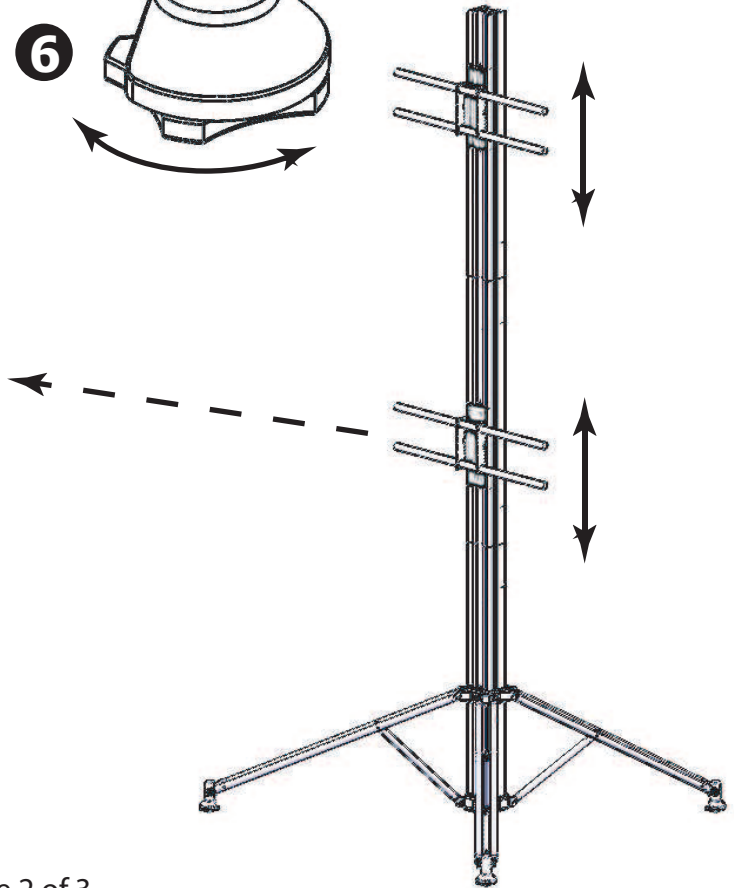
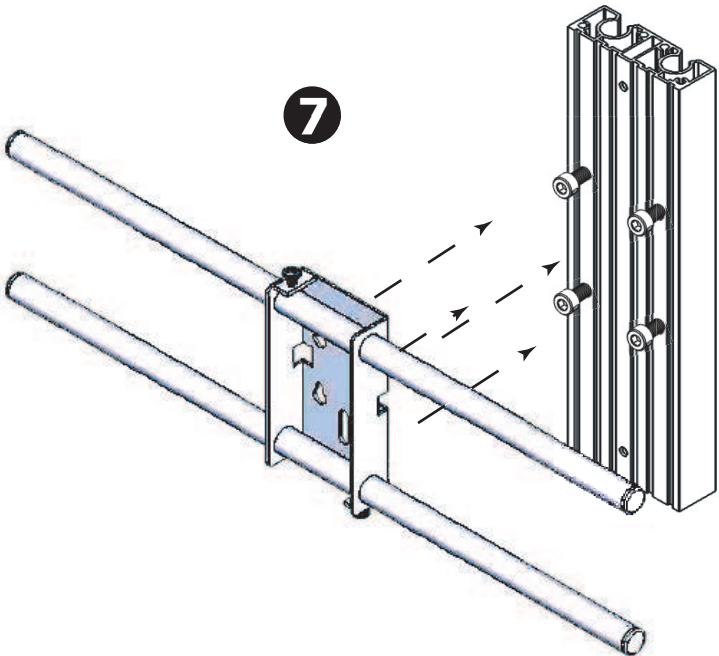
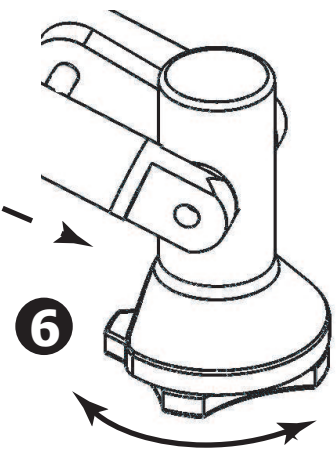
## • LCD Single Pole Assembly •



5. On the back side of the display, loosen knobs on shuttle and slide to straddle joint. Tighten knobs and repeat for second shuttle.
6. Rotate pad on bottom of each foot to ensure contact with floor. Extend pads to reduce play of legs as much as possible.
7. On Front of display, adjust shuttle to desired height by loosening threaded knobs, sliding shuttle and tightening knobs. Place LCD bracket on stand by passing 4 bolt heads through keyhole slots on bracket. Tighten bolts. Follow instructions included with bracket for mounting hangers and hanging screens.

Important: Remove LCD screens from display before adjusting height of shuttle.

Back Side

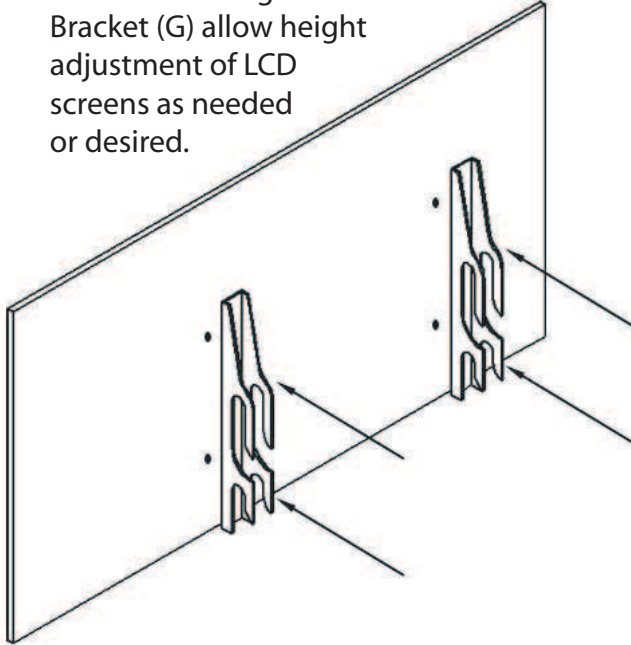


# • LCD1POLE Single Pole Assembly Instructions •

8



Note:  
Holes in TV hangers from LCD Bracket (G) allow height adjustment of LCD screens as needed or desired.



## • LCD Single Pole Assembly •

8. Mount TV Hangers from LCD Bracket (D) to back of LCD screen using hardware kit (G).  
Hooks on brackets to point down as shown.

9. With two people, lift LCD screen and hook brackets on rails as shown. Tighten screw on brackets to secure.

Check to ensure LCD screen is centered on rails, and all four hooks are engaged to rails. Tighten lock bolts to secure screen.

Important: Remove LCD screens from display before adjusting height of shuttle.

9

