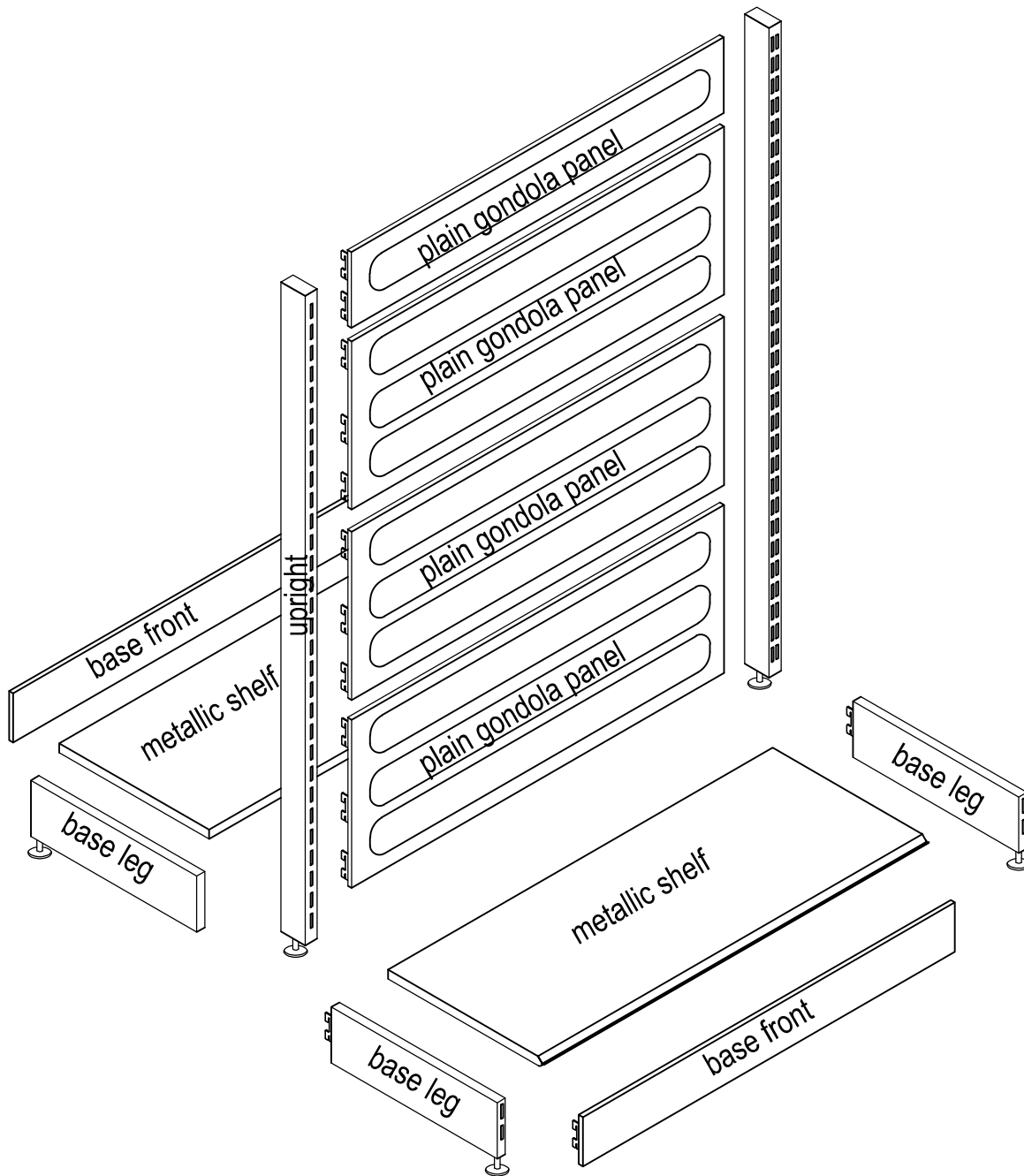


# ASSEMBLY INSTRUCTIONS FOR THE GONDOLA STARTER UNITS



WARNING: PLEASE DO NOT USE HAMMER  
OR OTHER METALLIC TOOLS DUE TO NOT  
TO GIVE DAMAGE TO UNITS!

DOUBLE UPRIGHT - 2 PCS.

METALLIC SHELF - 1 PCS.

BASE FRONT-PLINTH 2 PCS.

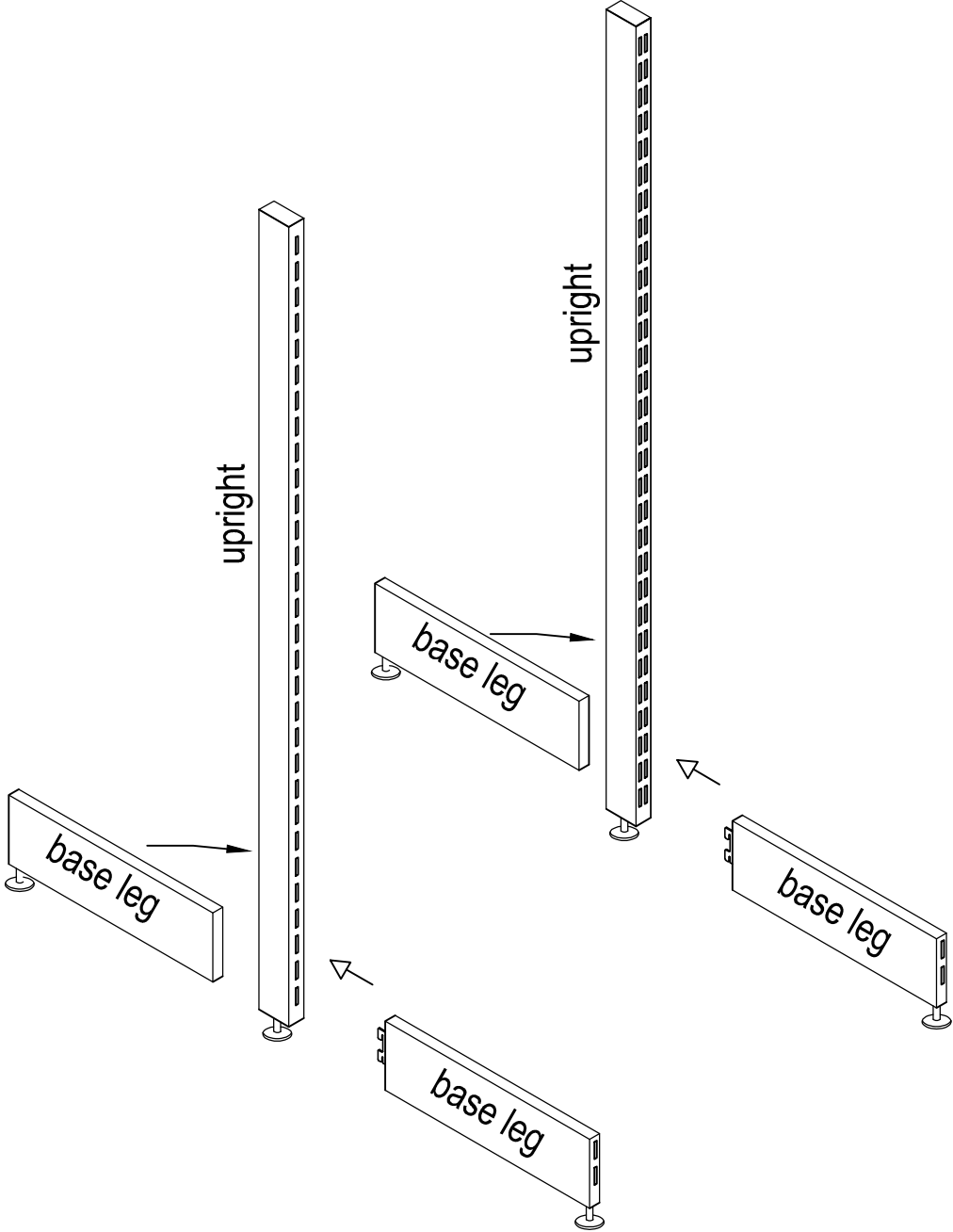
BASE LEG - 4 PCS.

PLAIN GONDOLA PANEL- 6 PCS.  
(PANELS MAY BE PLAIN OR PERFORATED)

SHORT PLAIN GONDOLA PANEL - 2 PCS.

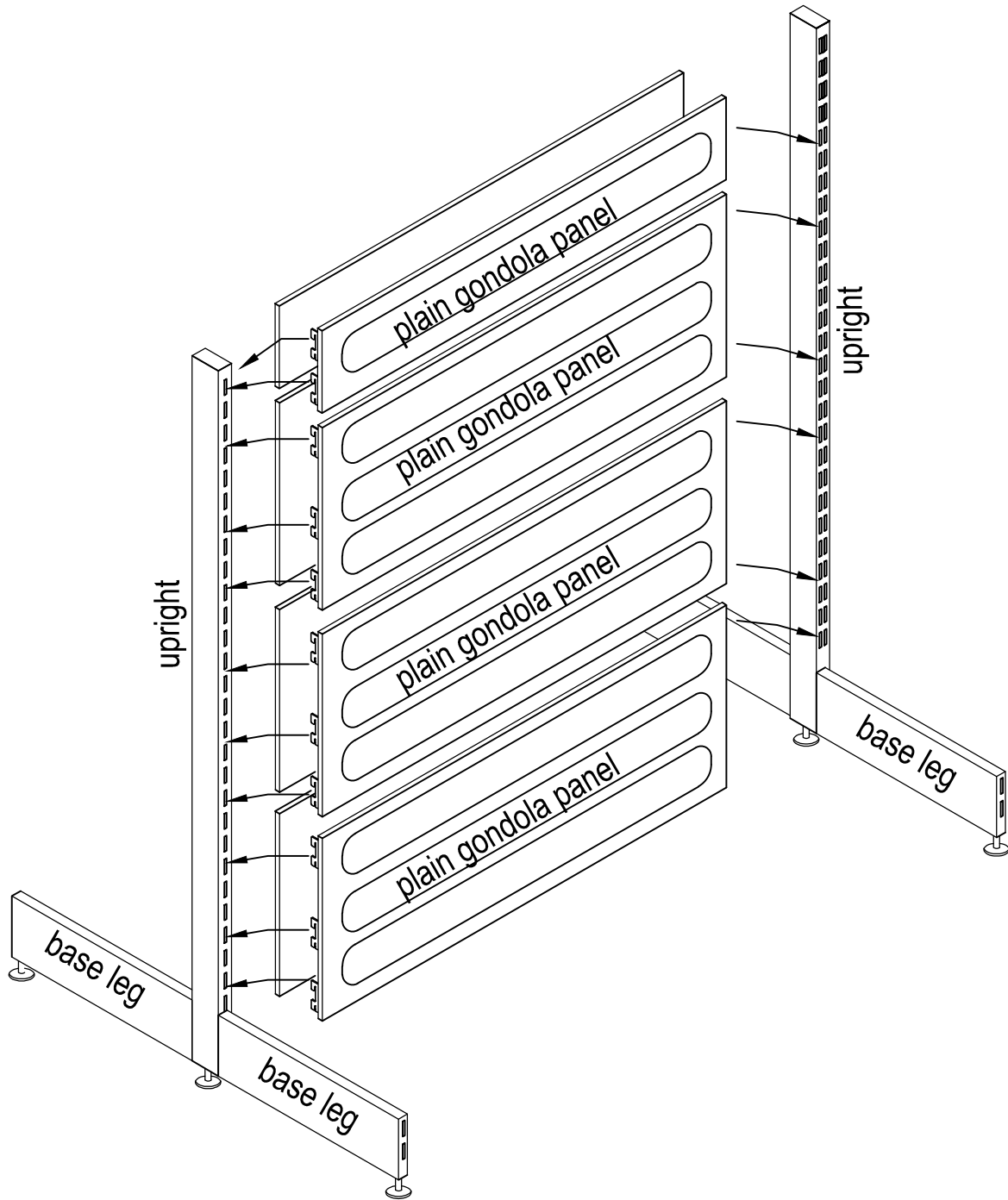
TOP CANOPY -1 PCS.

# ASSEMBLY INSTRUCTIONS FOR THE GONDOLA STARTER UNITS



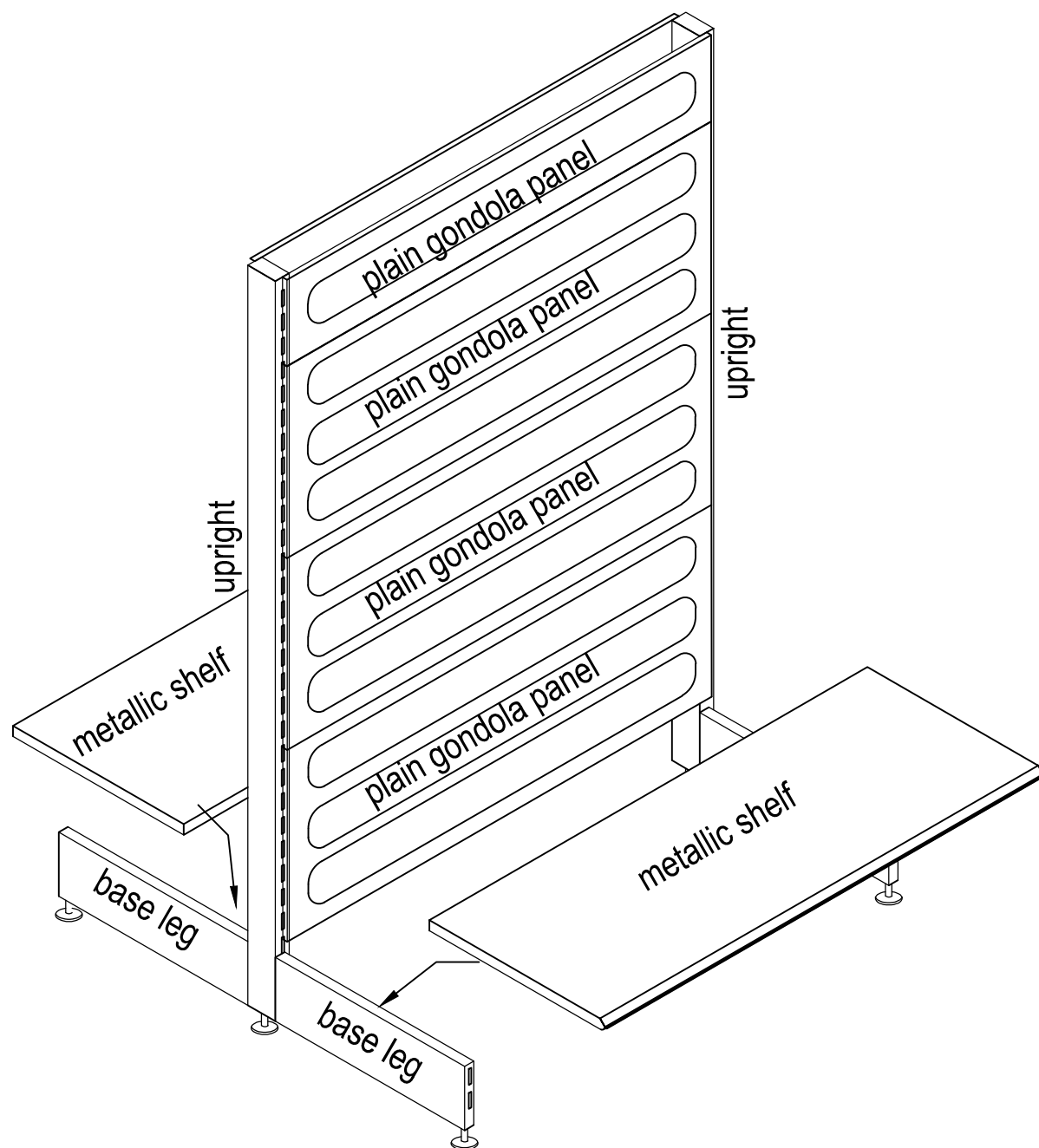
1- INSERT BASE LEG TO UPRIGHT

# ASSEMBLY INSTRUCTIONS FOR THE GONDOLA STARTER UNITS



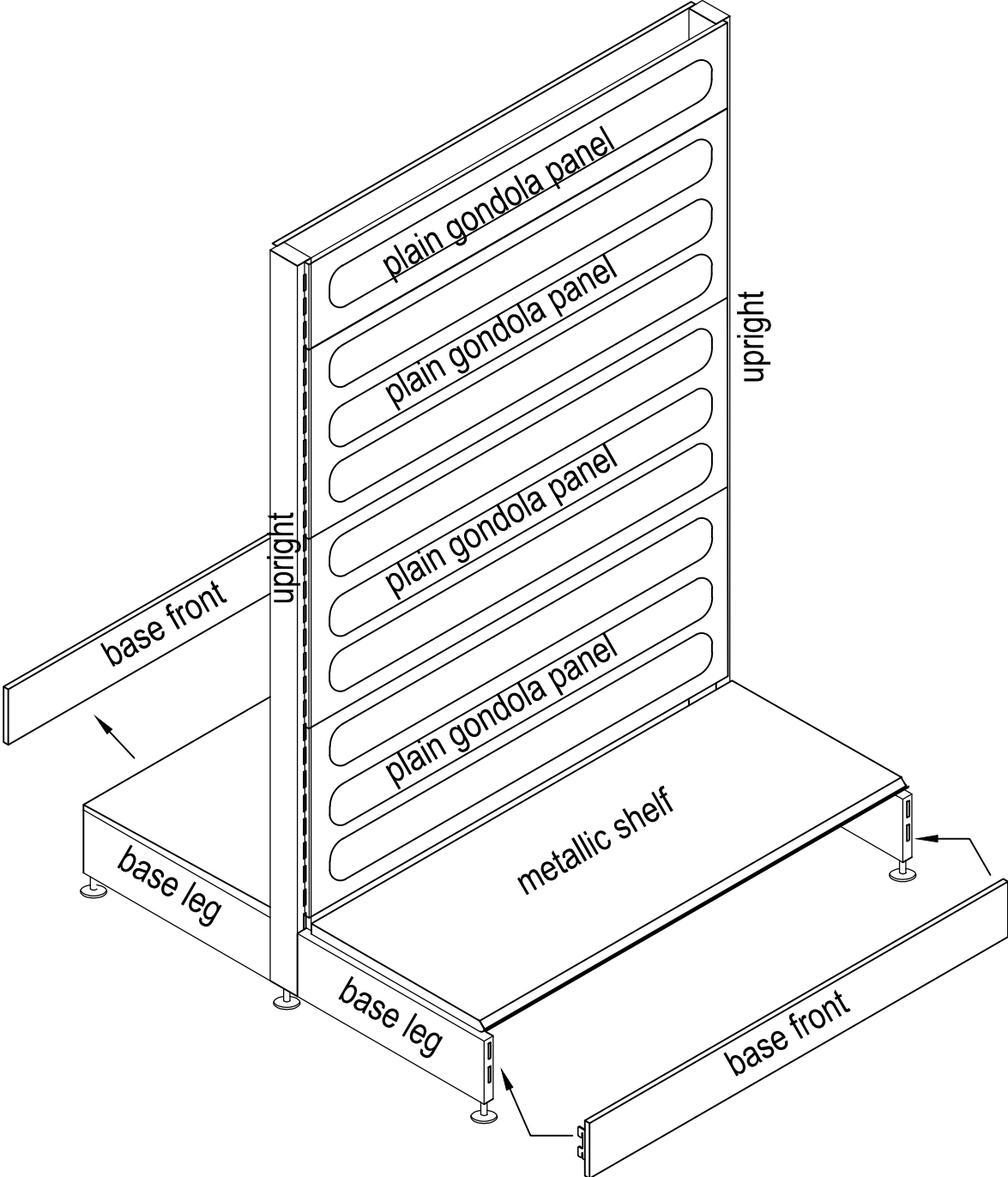
2- PUT ON BACK PANELS IN REGULAR TURN

# ASSEMBLY INSTRUCTIONS FOR THE GONDOLA STARTER UNITS



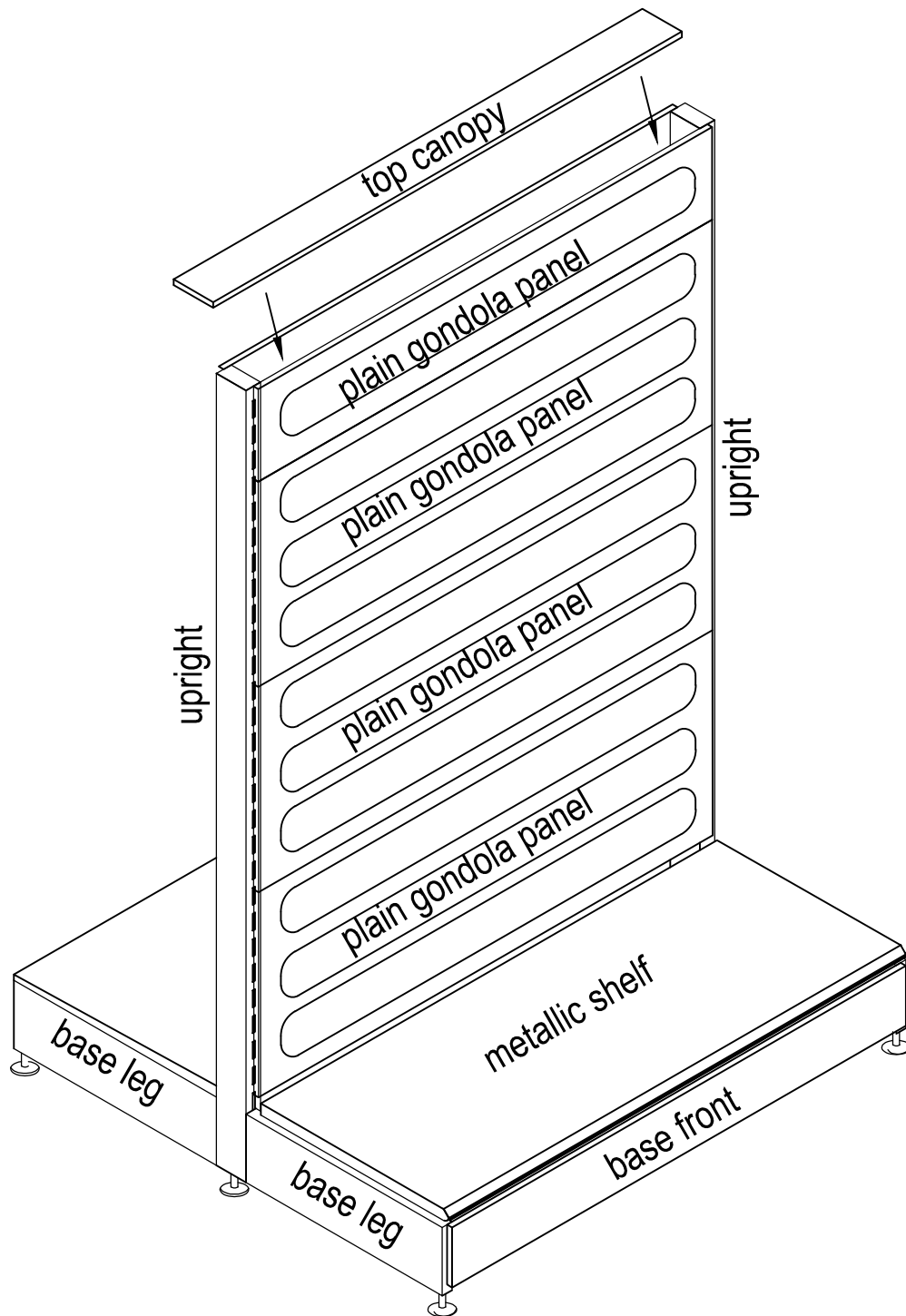
3- INSERT METALLIC SHELF TO BASE LEG

# ASSEMBLY INSTRUCTIONS FOR THE GONDOLA STARTER UNITS



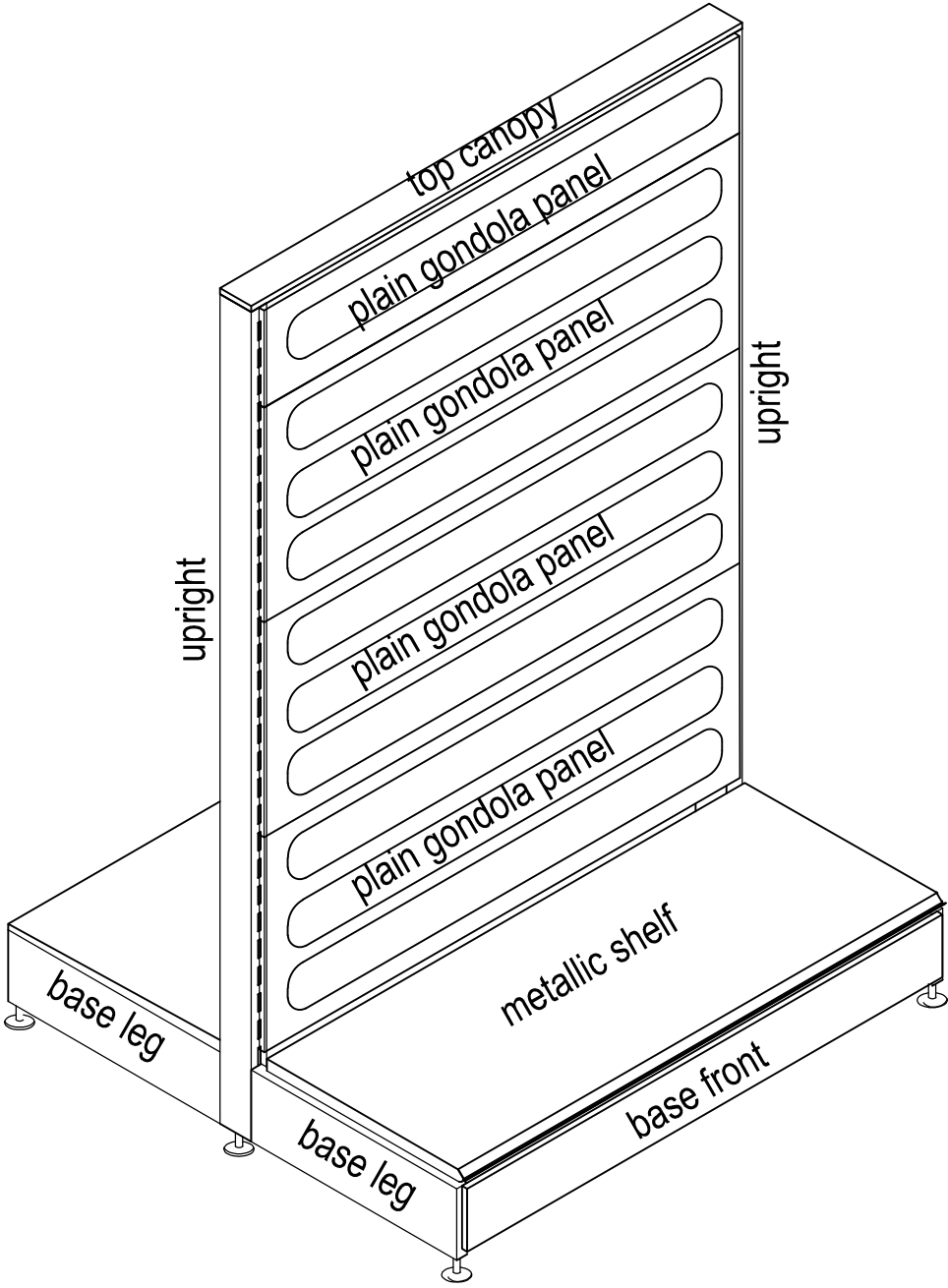
4- INSERT BASE FRONT TO BASE LEGS

# ASSEMBLY INSTRUCTIONS FOR THE GONDOLA STARTER UNITS

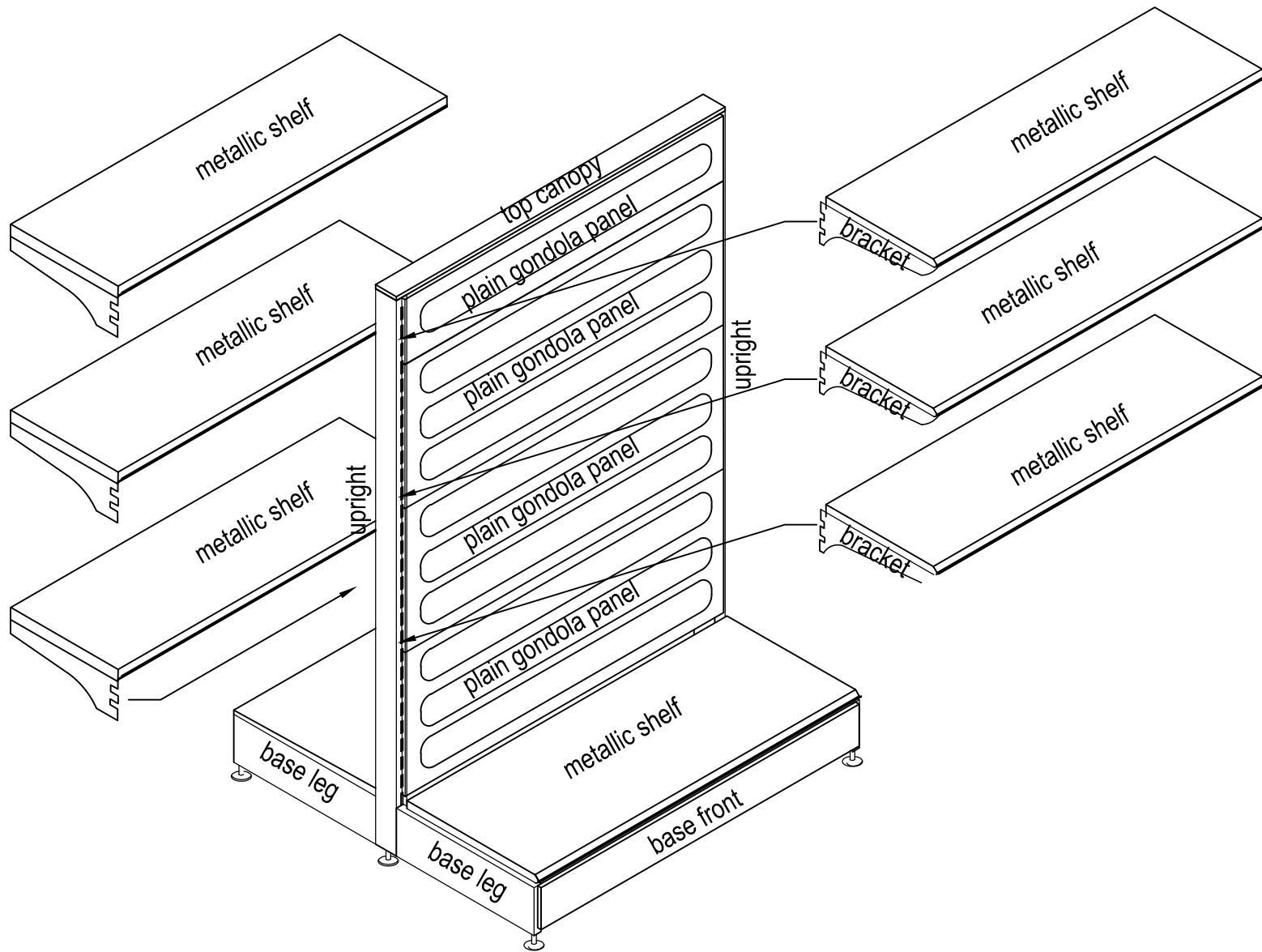


5- INSERT TOP CANOPY TO GAP BETWEEN UPRIGHTS

# ASSEMBLY INSTRUCTIONS FOR THE GONDOLA STARTER UNITS



# ASSEMBLY INSTRUCTIONS FOR THE GONDOLA STARTER UNITS





# HOW TO ADD ON GONDOLA UNIT TO THE STARTER GONDOLA UNIT

