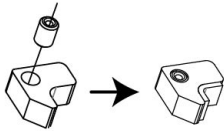
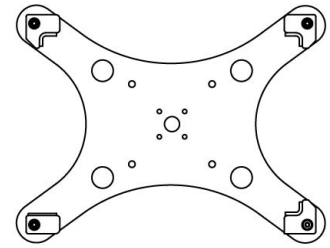
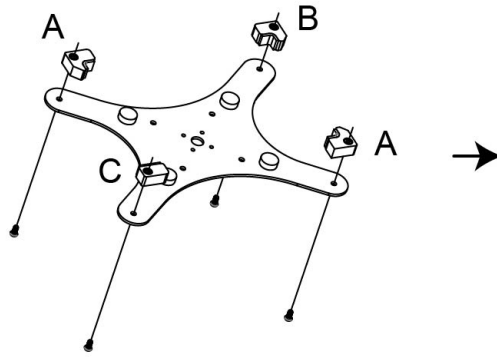


Installation Manual

1



M5*10 4pcs
Longer round
end screws

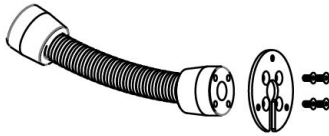


Do not fully tighten all screws!
Need to adjust in later step.

Fix directly on tabletop

2

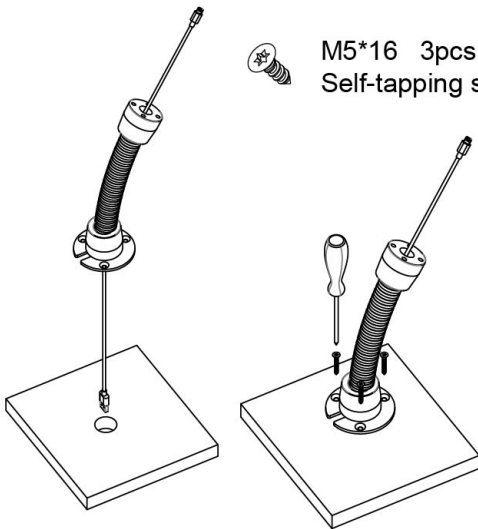
M5*10 4pcs
Flat end screws



3

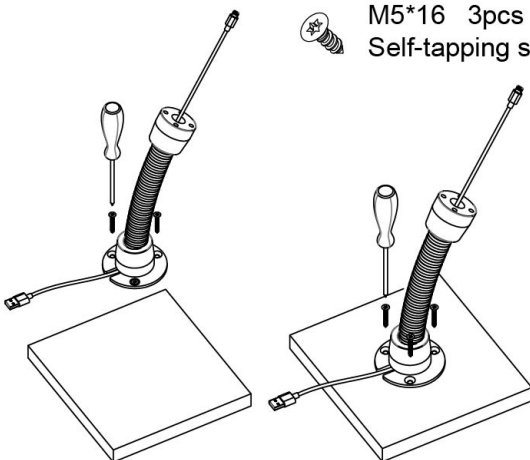
Option 1 Cable through table

M5*16 3pcs
Self-tapping screws



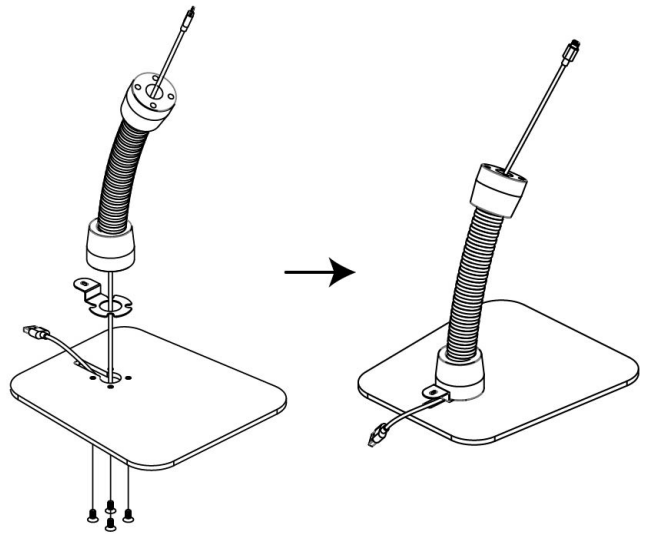
Option 2 Cable above table

M5*16 3pcs
Self-tapping screws



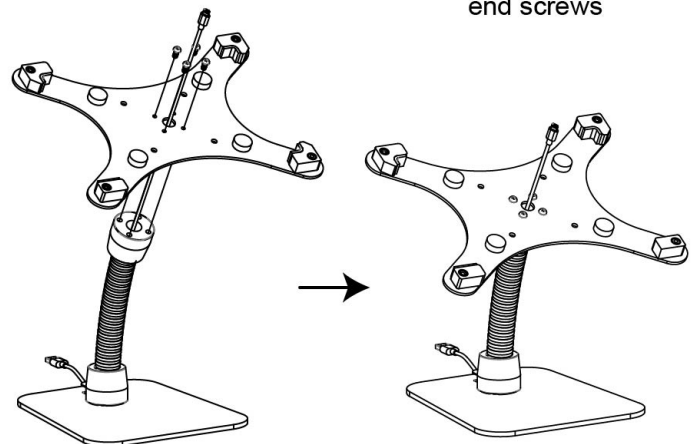
2

M5*10 4pcs
Flat end screws

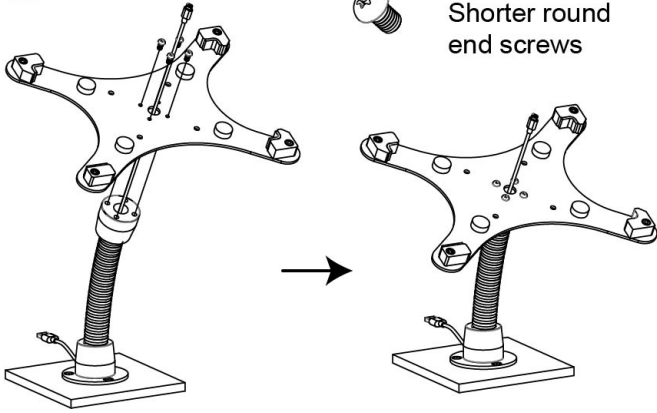


3

M5*8 4pcs
Shorter round
end screws

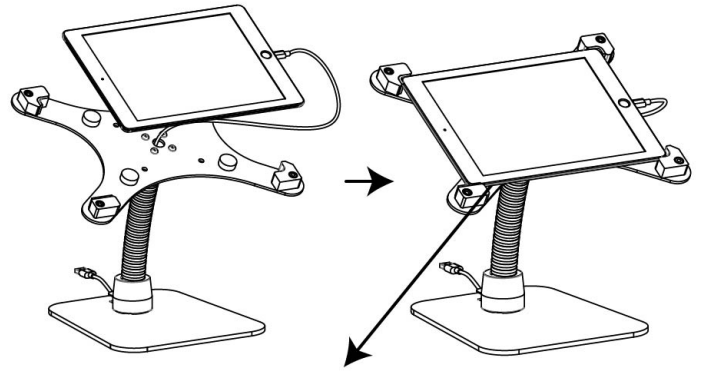


3



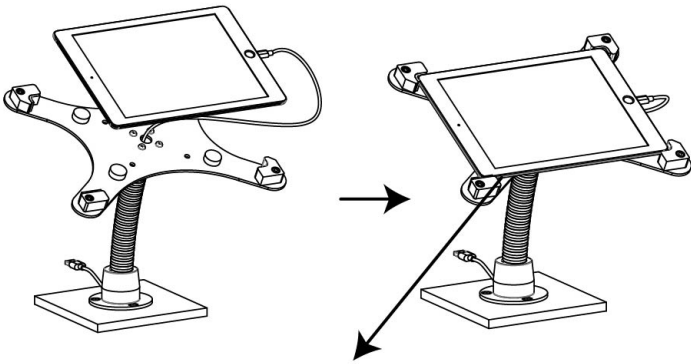
M5*8 4pcs
Shorter round
end screws

4



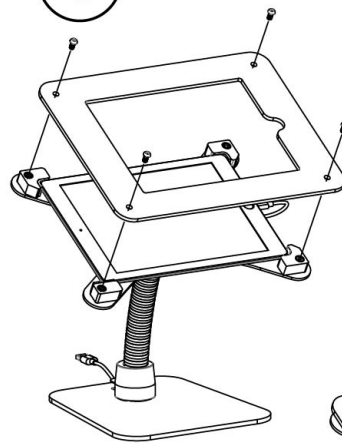
Earphone Jack at C corner for card readers or earphone.

4



Earphone Jack at C corner for card readers or earphone.

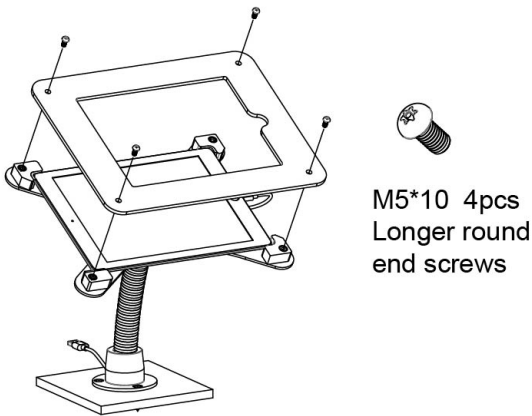
5



M5*10 4pcs
Longer round
end screws

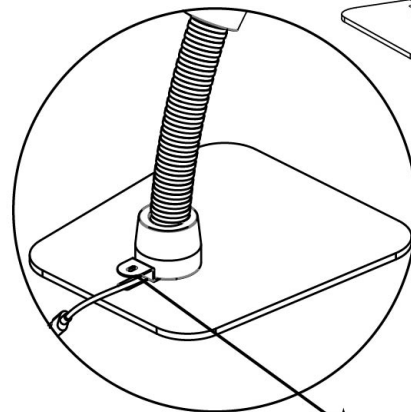
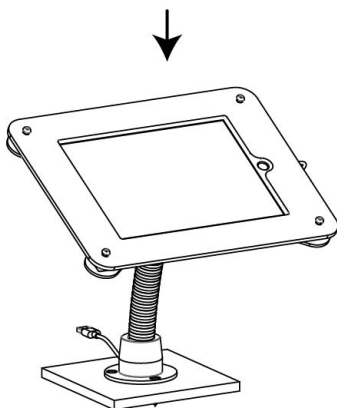
Fully tighten all screws after
installed all parts correctly.

5



M5*10 4pcs
Longer round
end screws

Fully tighten all screws after installed all parts correctly.



Kensington Slot

Add kensington cable lock if feel necessary.
(Cable lock not included)