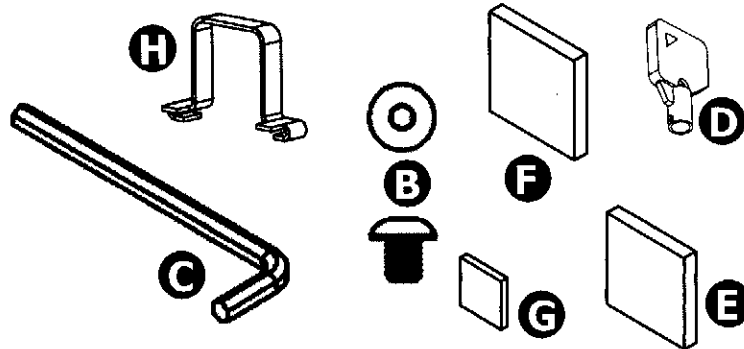
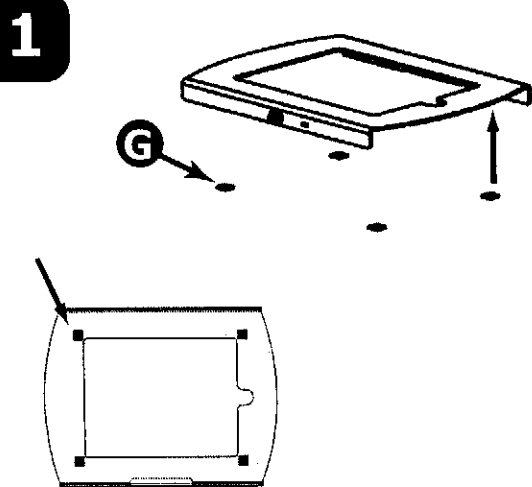


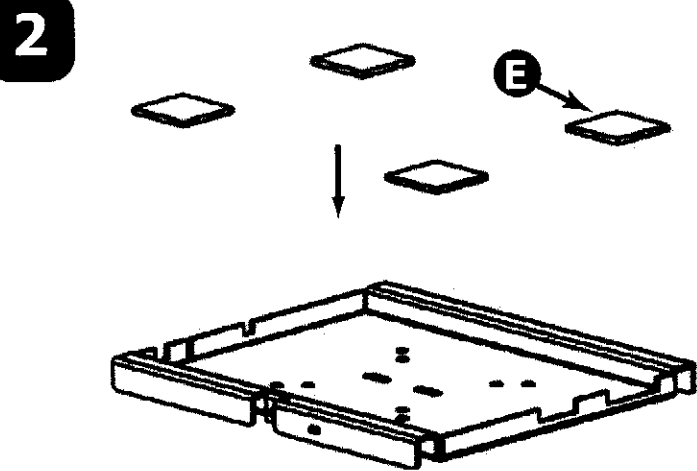
# iPad Enclosure with Square Bracket



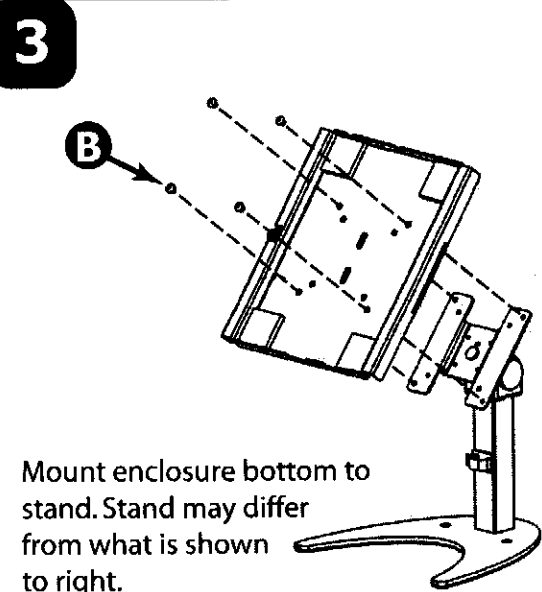
Parts		
Description	QTY	
A. iPad Enclosure	1	
B. M5 Socket Head Screws	4	
C. Hex Key	1	
D. Keys	2	
E. 3mm Foam Pads	4	
F. 6mm Foam Pads	4	
G. 1.5mm Foam Pads	1	
H. Square Bracket	1	



Attach four small 1.5mm thick foam pads to underside of cover as shown above.

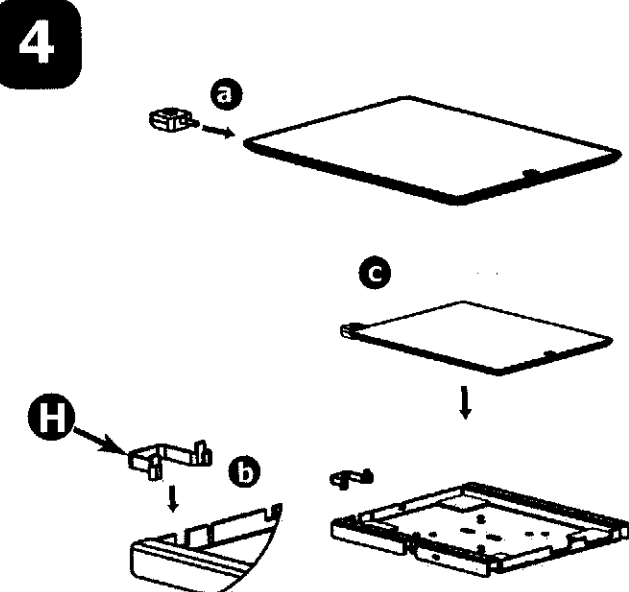


Attach four 3mm foam pads in enclosure bottom. One pad at each corner. If enclosure has hole for back camera, cut foam pad preventing obstruction.



Mount enclosure bottom to stand. Stand may differ from what is shown to right.

If mounting to IPAD135 use four M5 socket head screws (B) attaching bottom of iPad enclosure to stand with Hex key (C).

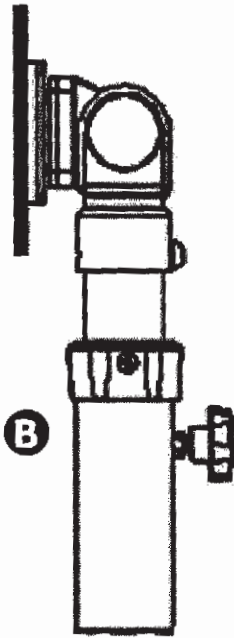


- Insert Square device into iPad.
- Drop Square Bracket into enclosure bottom.
- Place iPad into enclosure positioning Square device into Bracket.
- Place Cover on enclosure and lock.

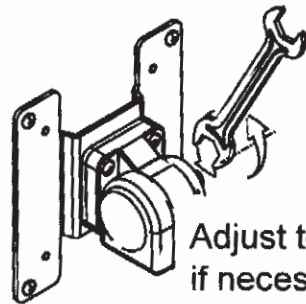
# ROT461 Assembly Instructions

## Parts

	Description	QTY
A.	Upright	1
B.	Base	1
C.	Flat Head Screw	2
D.	Wrench	1
E.	Instructions	1

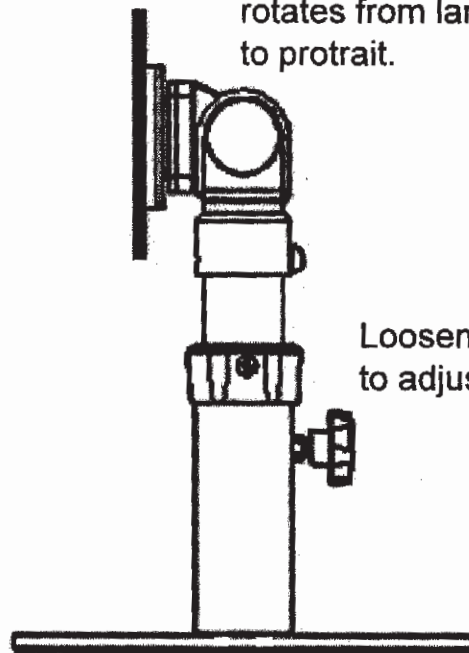


Fasten base (A) to upright (B) with provided flat head screws (C).



Adjust torque if necessary

Bracket revolves about base 360°, tilts 180° and rotates from landscape to portrait.



Loosen knob to adjust height