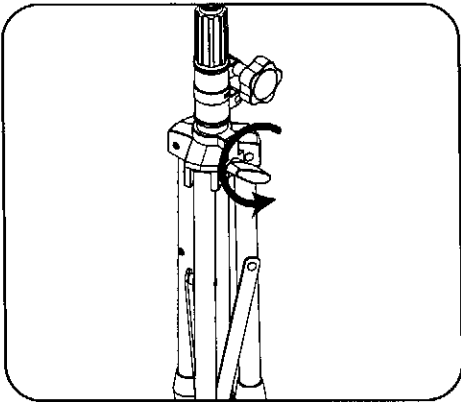


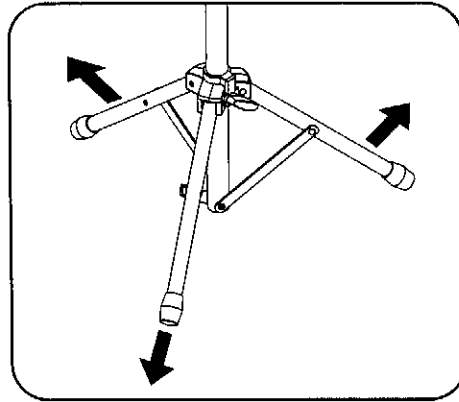
# How to use

## Caution:

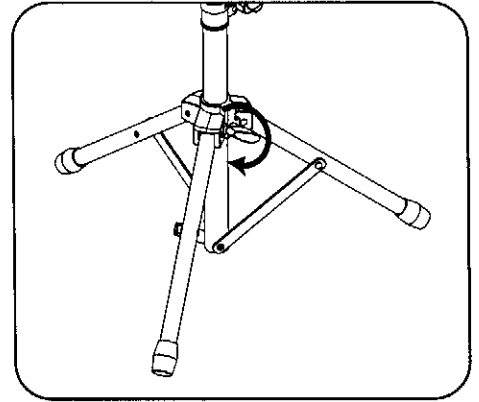
Please hold the pole when make adjustment



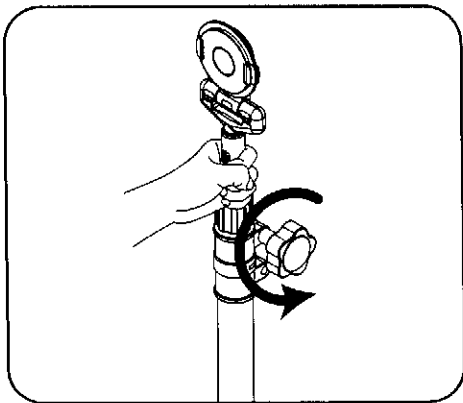
Loose



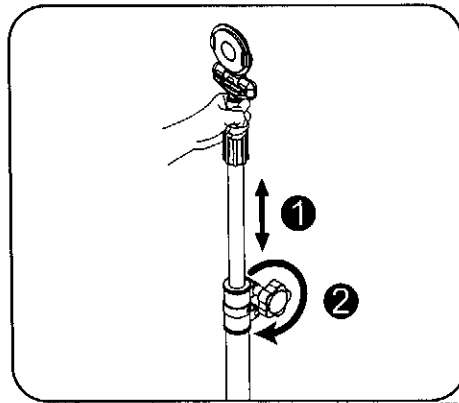
Pull



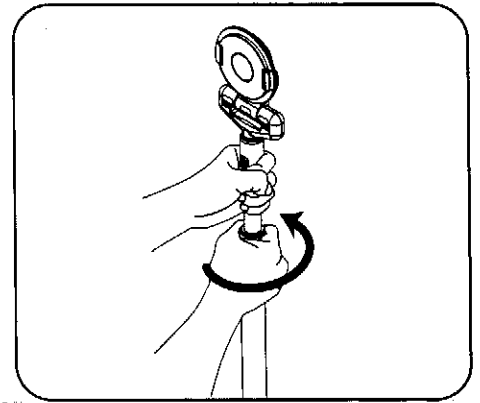
Tighten



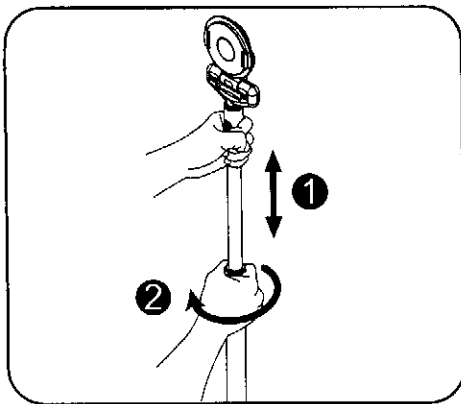
Loose



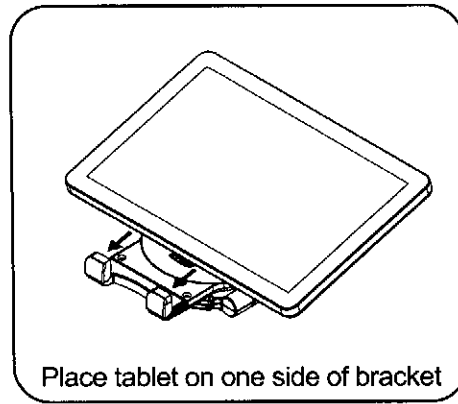
1 Adjust height  
2 Tighten



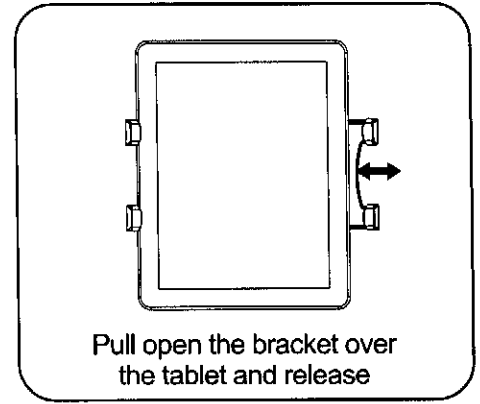
Loose



1 Adjust height  
2 Tighten

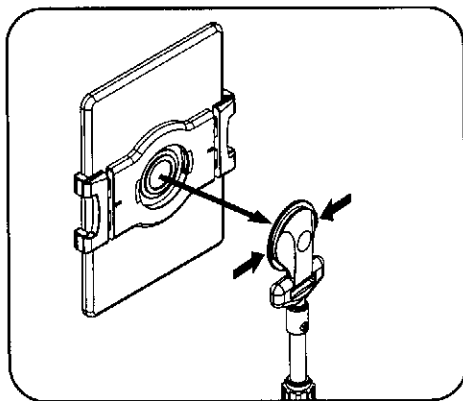


Place tablet on one side of bracket

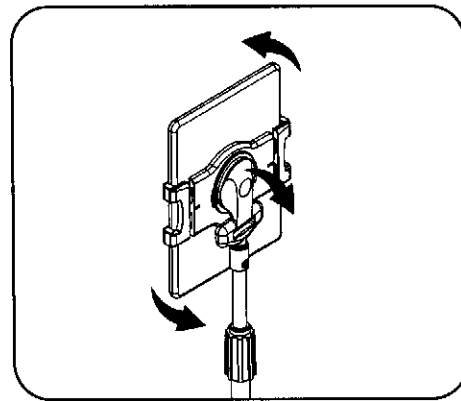


Pull open the bracket over the tablet and release

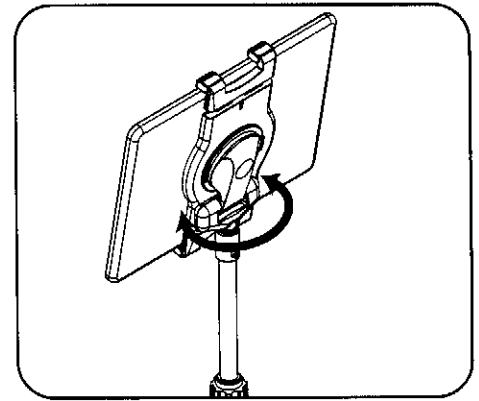
**Caution:** Please ensure that tablet is securely fixed in.



Attach to the panel



Horizontal / vertical view  
with angle adjustments



Rotates 360°