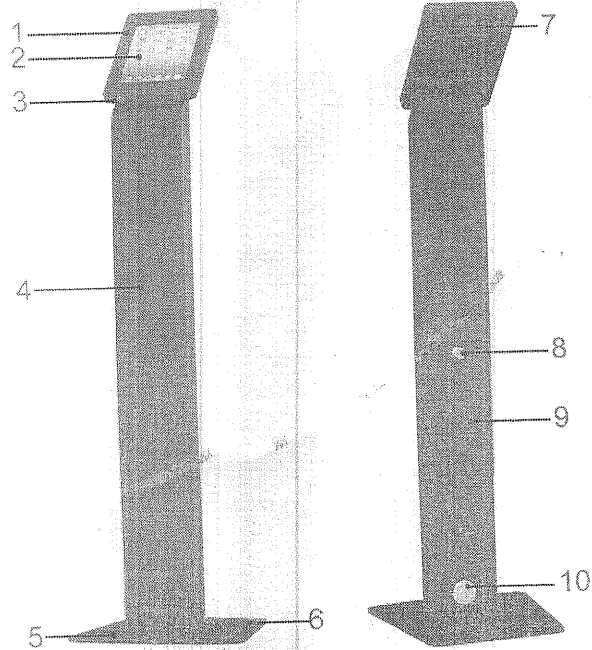


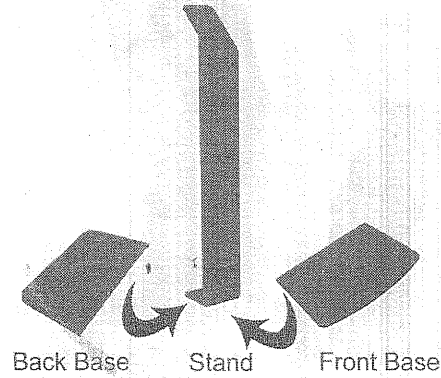
Parts Description



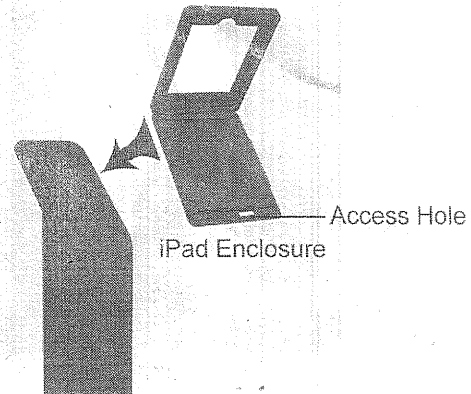
- 1:Front Cover 2:iPad 3:Lock 4:Stand
5:Front Base 6:Back Base 7:Back Cover
8:Lock 9:Back Door 10:Main Cable Access

Install Steps

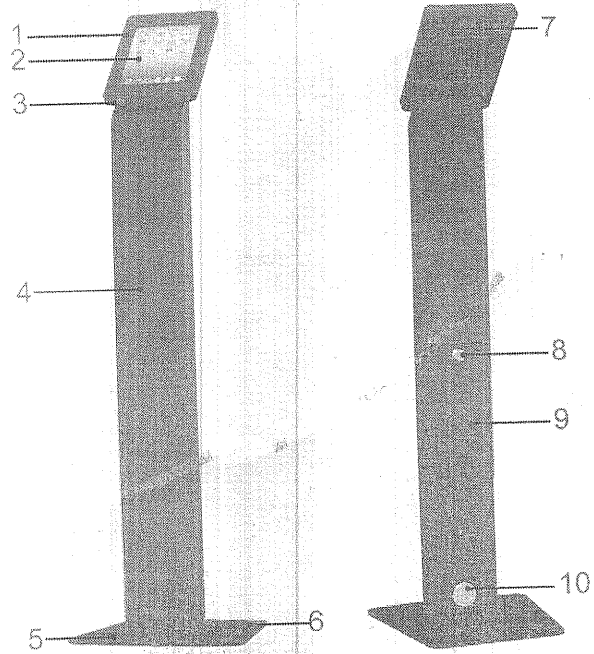
1:Install the front base and back base onto the stand.



2:Install the iPad enclosure onto the stand.



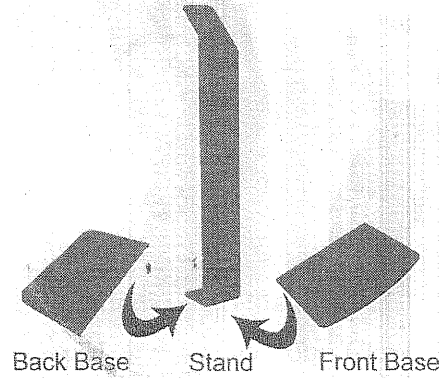
Parts Description



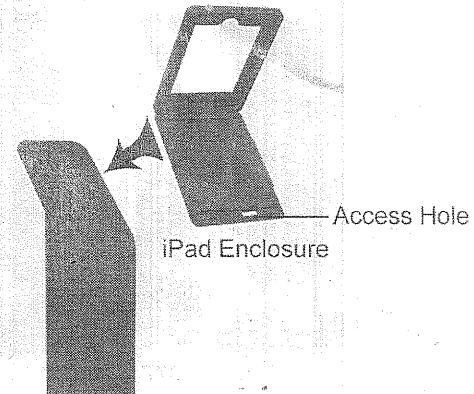
- 1: Front Cover
- 2: iPad
- 3: Lock
- 4: Stand
- 5: Front Base
- 6: Back Base
- 7: Back Cover
- 8: Lock
- 9: Back Door
- 10: Main Cable Access

Install Steps

1: Install the front base and back base onto the stand.

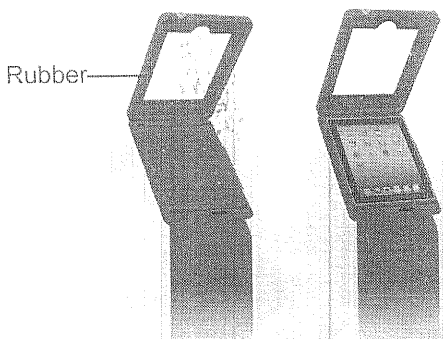


2: Install the iPad enclosure onto the stand.

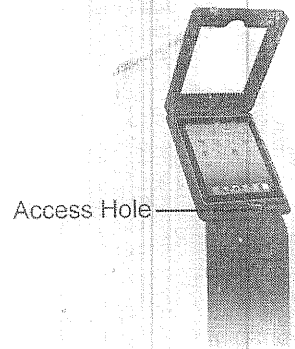


Install Steps

3: Check rubber, put the iPad into the enclosure.

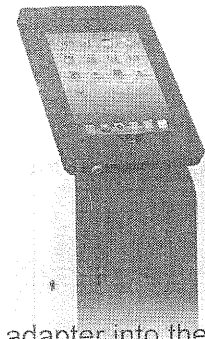


4: Connect power cable onto the iPad.

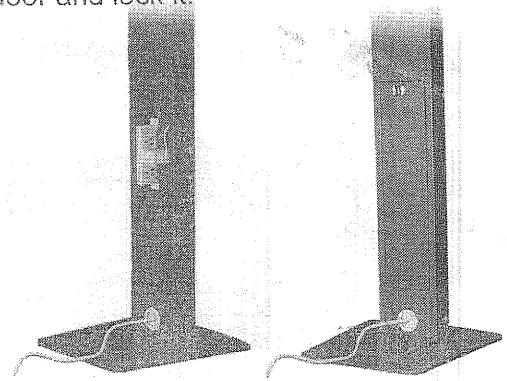


Install Steps

5: Close the front cover and lock it.



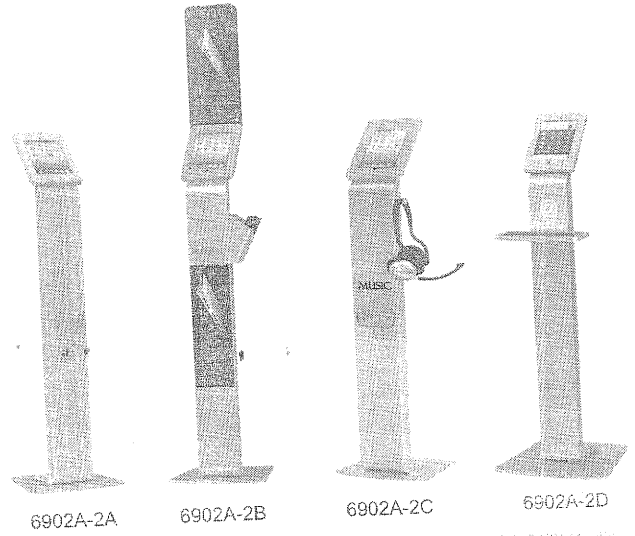
6: Connect the adapter into the power bar, take out the main cable of the power bar. Close the back door and lock it.



Specifications

- 1): Material: Durable Steel and Aluminium
- 2): Easy installation and design with no screws outside
- 3): Safe design with anti-theft lock
- 4): Support iPad 2 WIFI version and iPad 2 WIFI&3G version
- 5): All system can be powered for US, UK and Europe standard
- 6): iPad Kiosk Size: 1380mm (Height)* 390mm (Width)* 395mm (Depth)
- 7): Net Weight: 11KG
- 8): Carton Size: 1350mm (Height)* 290mm (Width)* 260mm (Depth)
- 9): Gross Weight : 13KG

Wood Grain Series AD Series Music Series KB Series



Wall Mount Series

Desktop Series

