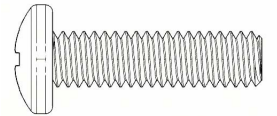


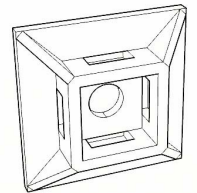
Scan QR code to visit  
the product page:



### Parts Included:



8-32 x 5/8" L Phillips  
Head Screw

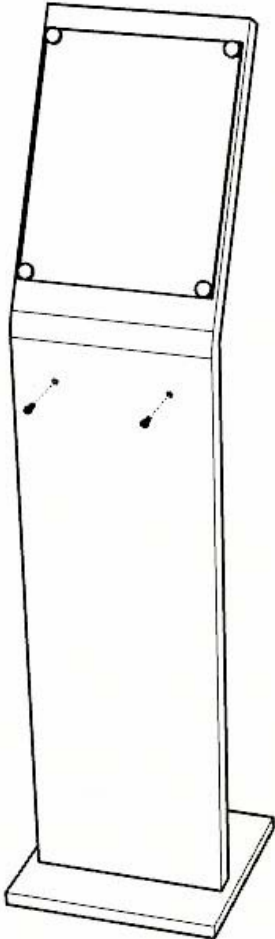


Zip Tie Mount

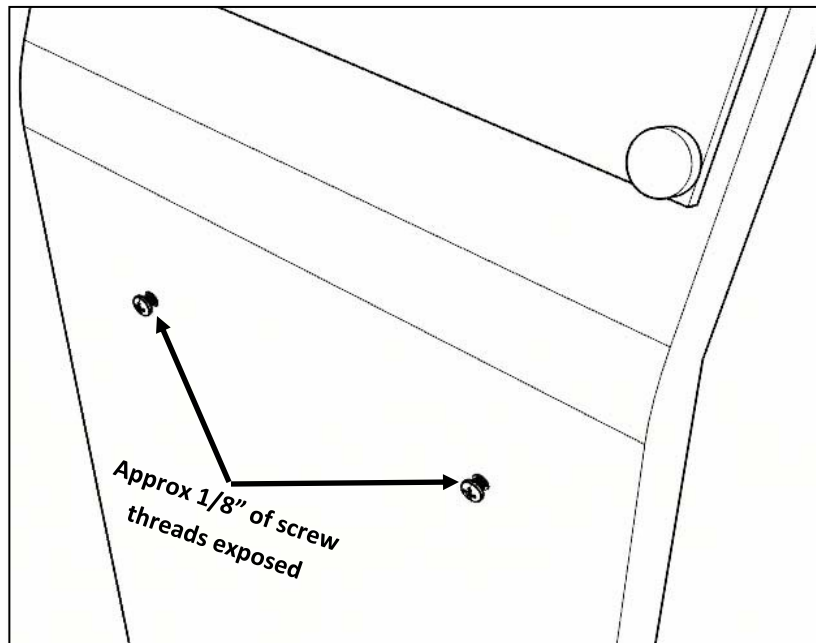


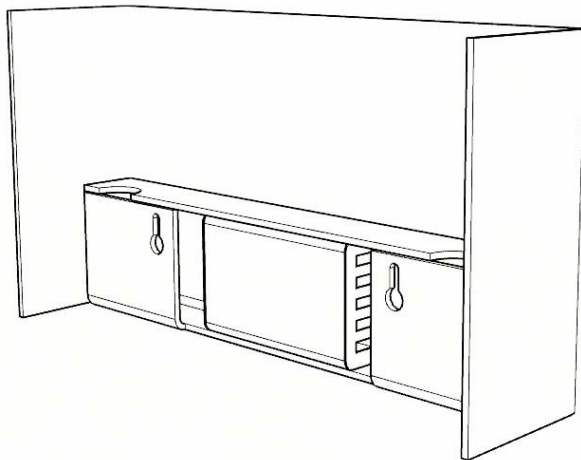
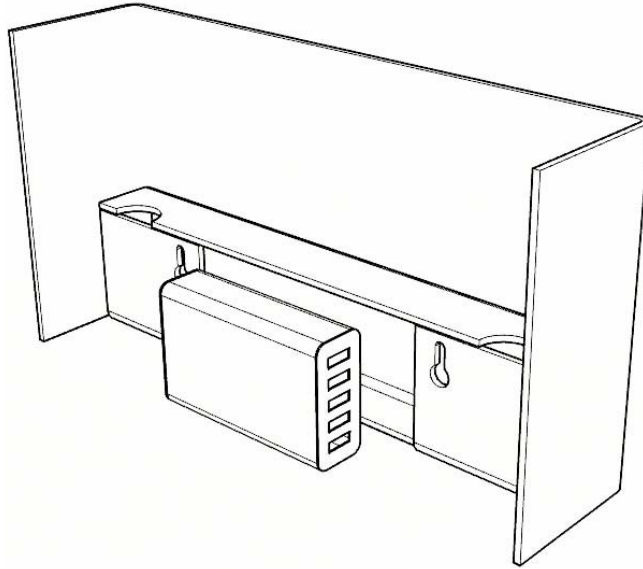
Zip Tie

If you have any questions regarding our products, please visit us at [www.displays2go.com](http://www.displays2go.com) or contact D2G customer service at 844-221-3388.

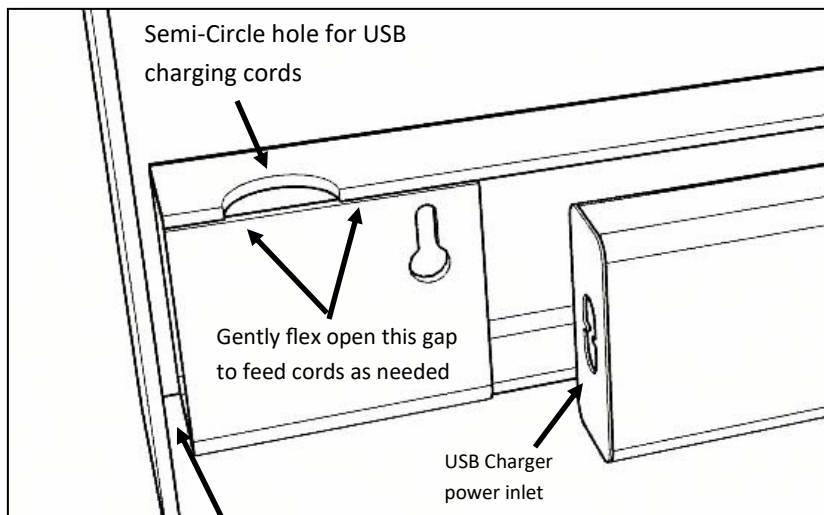


Install the 2 Phillips head screws into the two holes on the face of the TLH as shown. Screw them in until there is approximately 1/8" of space between the screw head and the TLH

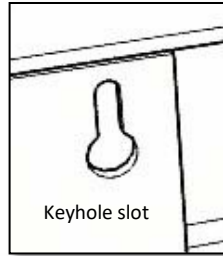




Install the Anker 5-Port USB Charger in the housing as shown. Route the power cord and the USB charging cords through the small gap by gently flexing the acrylic as needed. Route the USB charging cords through the semi-circle openings as needed.



Route power cord through this gap to rear of TLH.



Install Charging Pocket on TLH by aligning the keyhole slots on the Charging Pocket with the Phillips head screws installed earlier and push down to secure.

Use zip tie mounts and zip ties to route Power Cord around/down TLH as desired.

