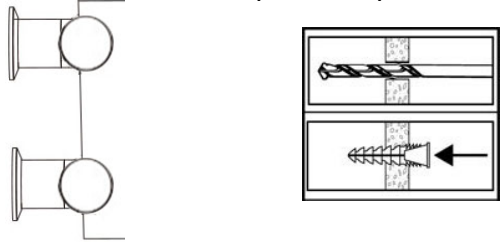


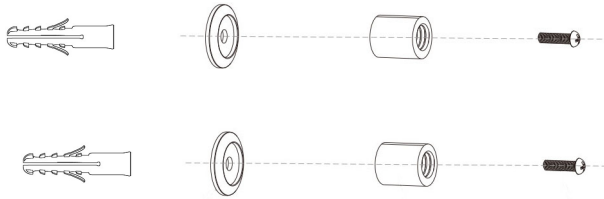
MOUNTING INSTRUCTIONS - RSO Series

Ver. 09/19

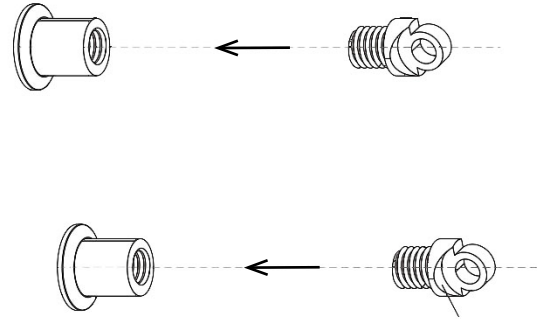
Step 1. Measure the center distance between 2 standoffs, and mark the drill location on the desired wall. Be sure the holes are vertically aligned. Drill holes on the wall and insert the provided plastic anchors.



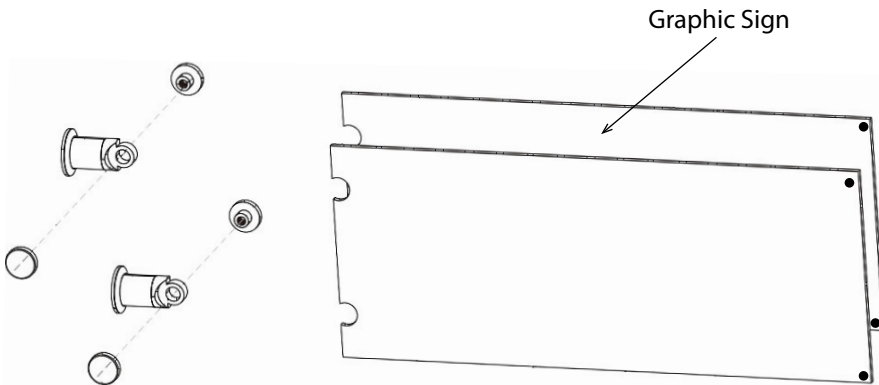
Remove the caps from the standoffs. Secure the standoffs to the wall by tightening screws to the installed wall anchors as shown below:



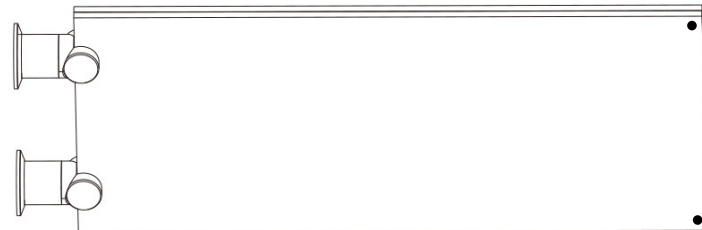
Step 2. Tighten the hanging tabs back to the mounted standoffs.



Step 3. Sandwich the printed graphic sign between 2 acrylic panels. Align the cutouts on the acrylic with the tab rings on the standoff. Secure the sign by tightening the cap screws and nuts at 2 places.



Step 4. The installation is completed.



Scan QR code to visit the product page:



If you have any questions regarding our products, please visit us at www.displays2go.com or contact D2G customer service at 844-221-3388.

DISPLAYS2GO