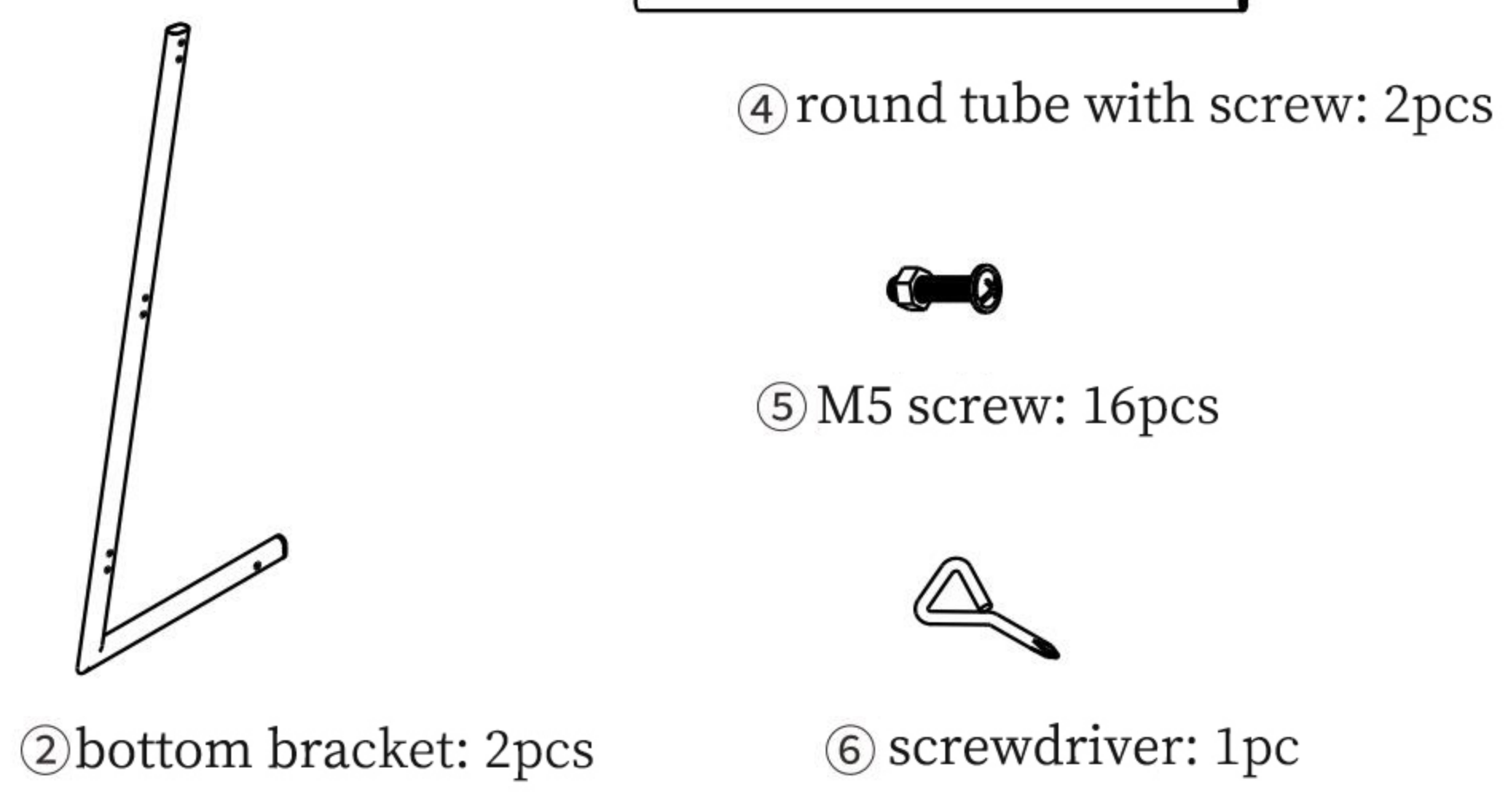
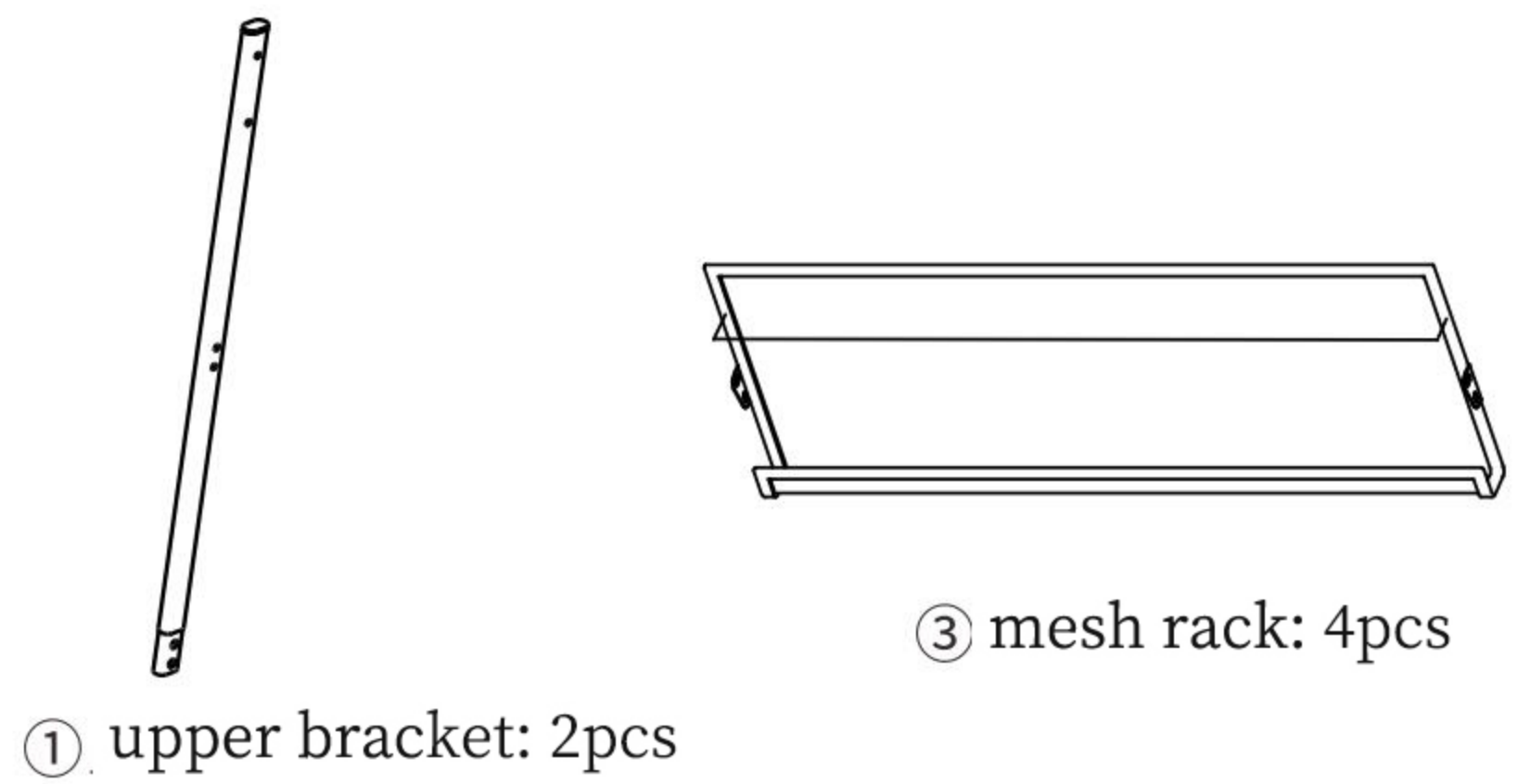
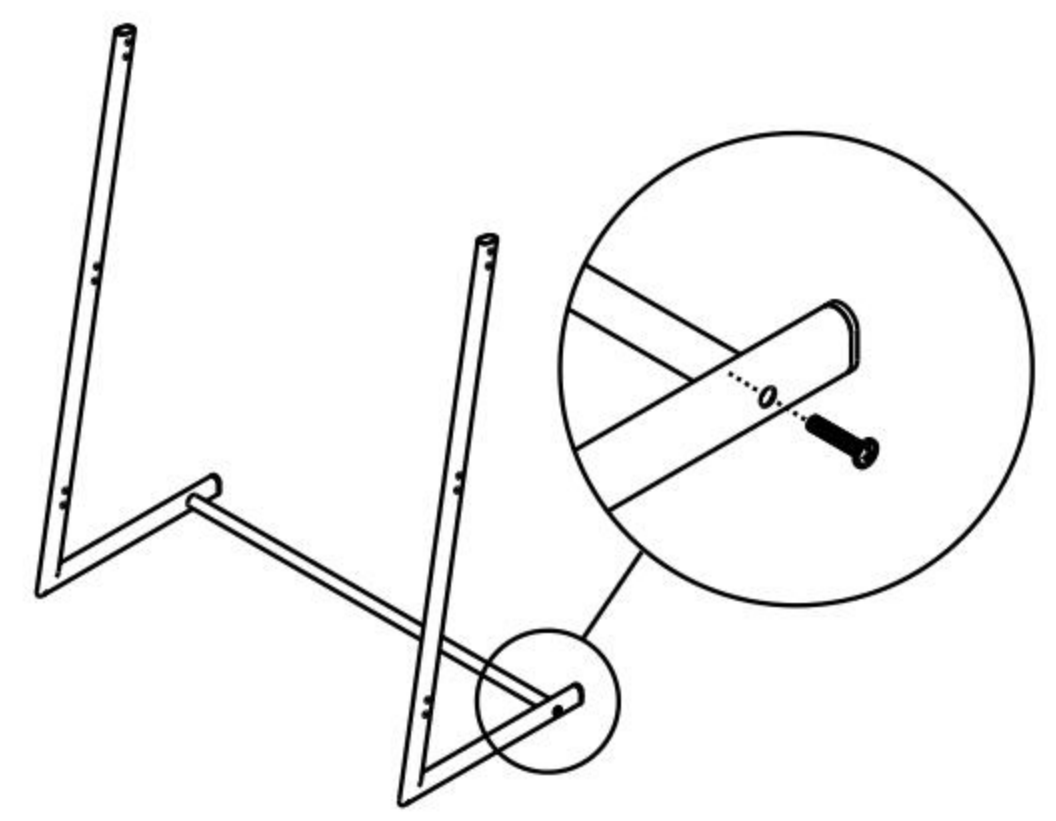


Assembly instructions

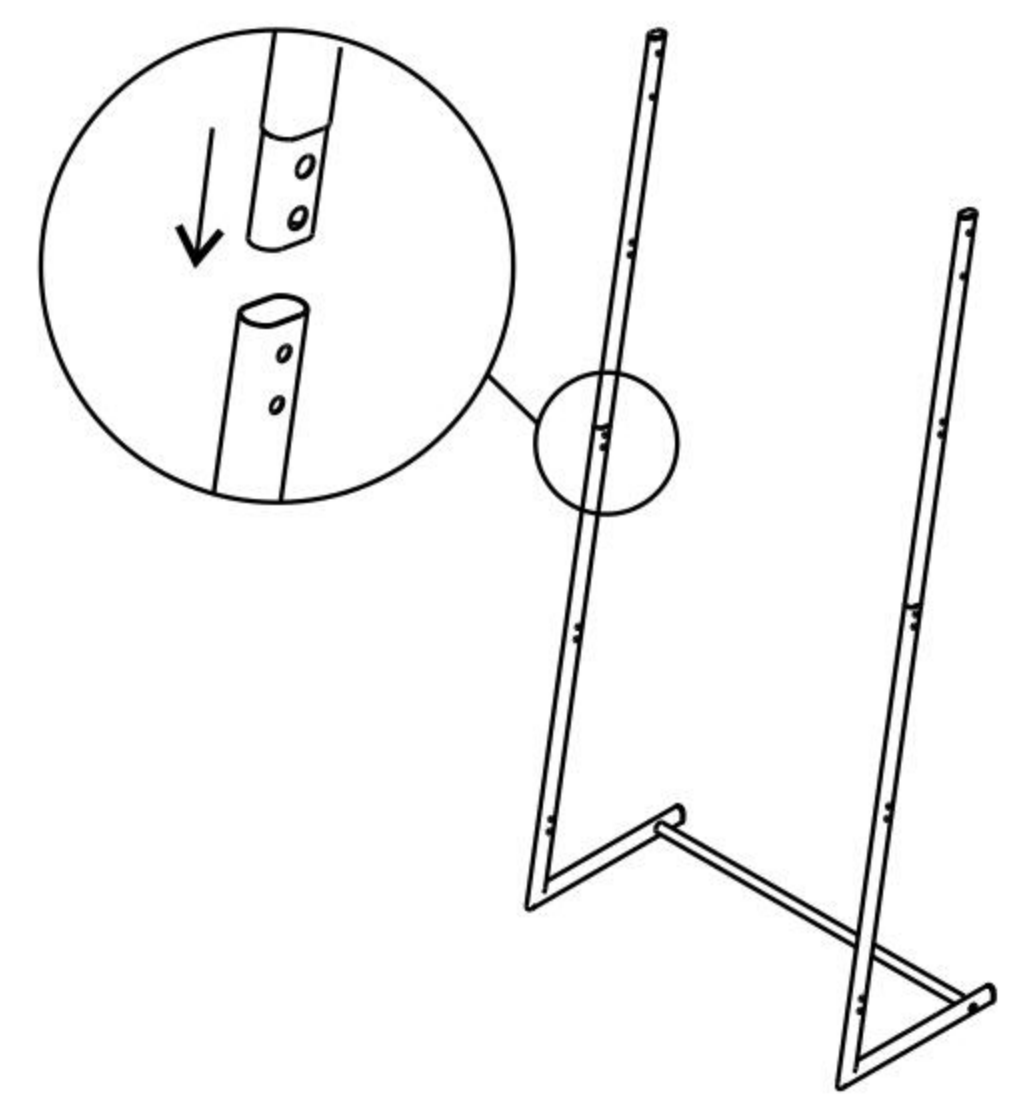


• Notice: Please don't tighten the screws at the beginning, adjust and tighten them when the whole rack is installed.

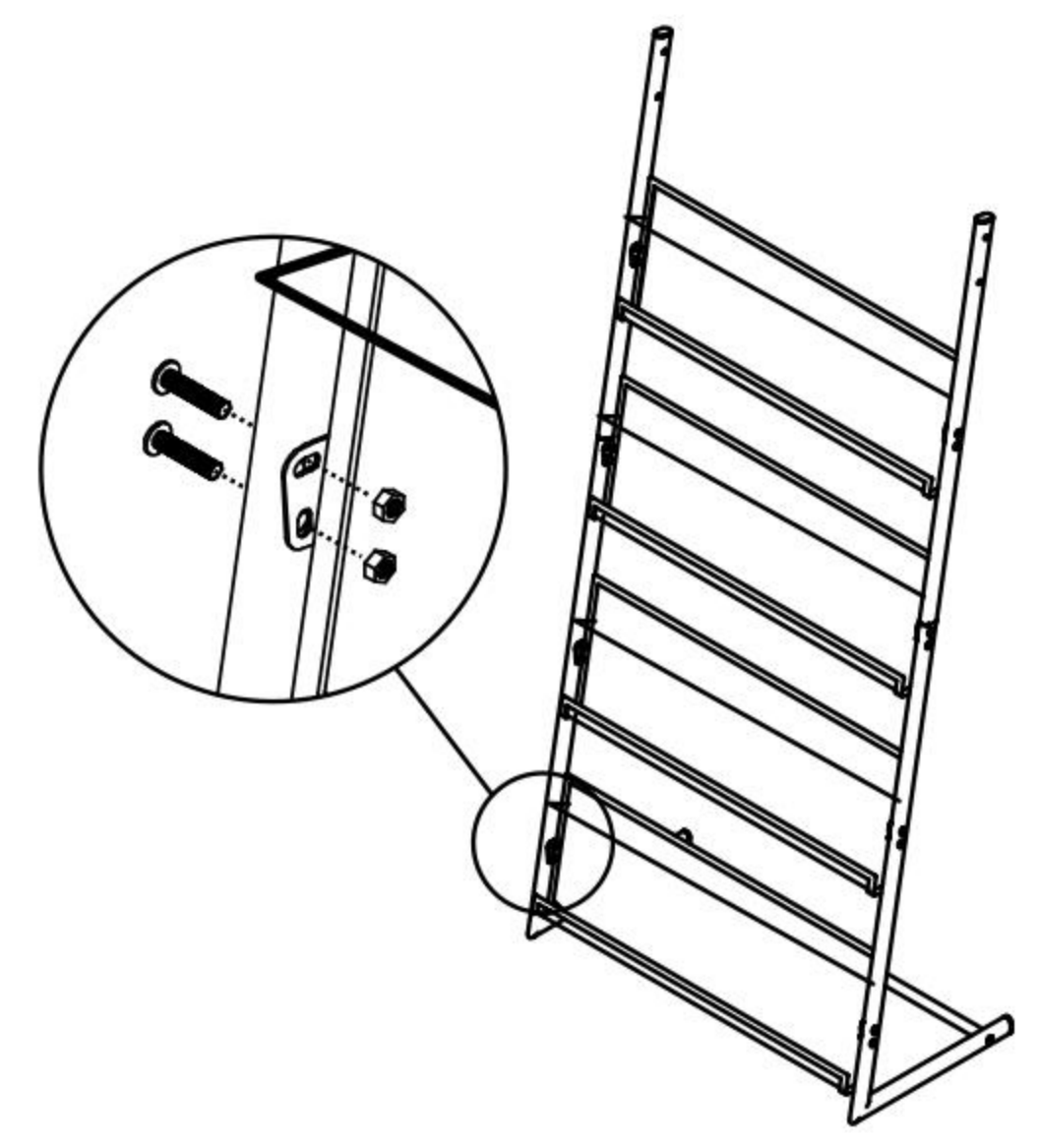
1 screw out the screws on the round tube, connect the round tube and bottom brackets with screws.



2 insert two upper bracket onto the bottom bracket.



3 fix the mesh rack on the left and right bracket.



4 fix the round tube on the bracket with screws, adjust the rack and tighten screws, finish the installation.

