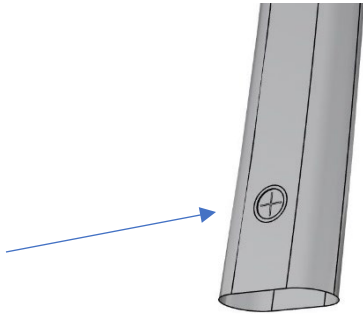


Assembly Instructions

DPF215FR Series 21.5" LCD Floor Standing Digital Sign

DISPLAYS2GO

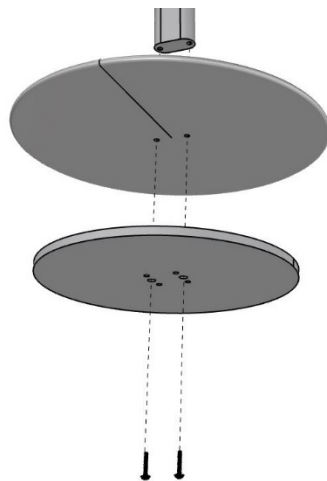
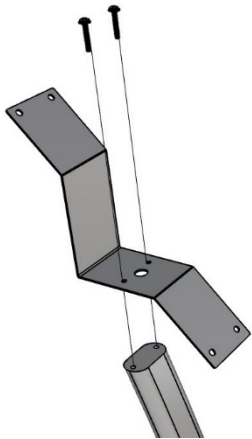
- 1 Before attaching the base or screen bracket, take the small end of the power cord and insert it through the rubber grommet at the bottom of the curved pole. Thread the wire all the way through the pole until it is hanging out of the top end of the curved pole.



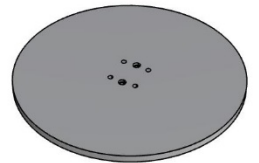
Pole and Base Assembly



- 2 Once the cord is threaded through, screw the top metal bracket to the top of the pole using the two bolts provided. Stack the metal base on top of the weight and use the two bolts provided to attach to the bottom end of the pole.



Base Weight



Assembly Instructions

DPF215FR Series 21.5" LCD Floor Standing Digital Sign

DISPLAYS2GO

- 3 Once the base and pole are assembled, attach the screen bracket to the top of the pole using the 4 screws and nuts included. Make sure the small end of the power cord comes through the larger hole in the middle of the bracket.



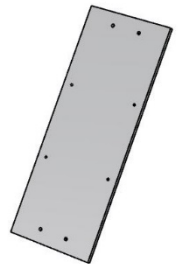
Pole and Base Assembly



- 4 Attach screen to the screen bracket using the 4 small screws provided. Plug the screen into the small end of the power cord, insert USB stick and plug into the wall.



Screen Bracket



Screen and Graphic

- 5 To switch out graphic, unscrew the back of all 4 standoffs in each corner, switch out the thin printed graphic, and reassemble.

Scan QR code to visit the product page:



If you have any questions regarding our products, please visit us at www.displays2go.com or contact D2G customer service 844-221-3388.

