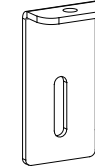
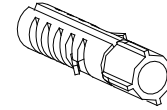
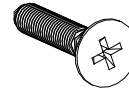
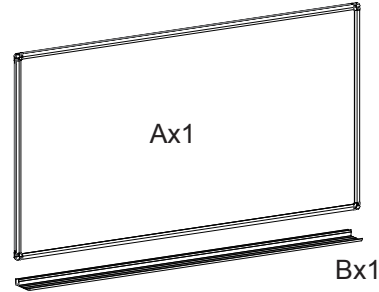


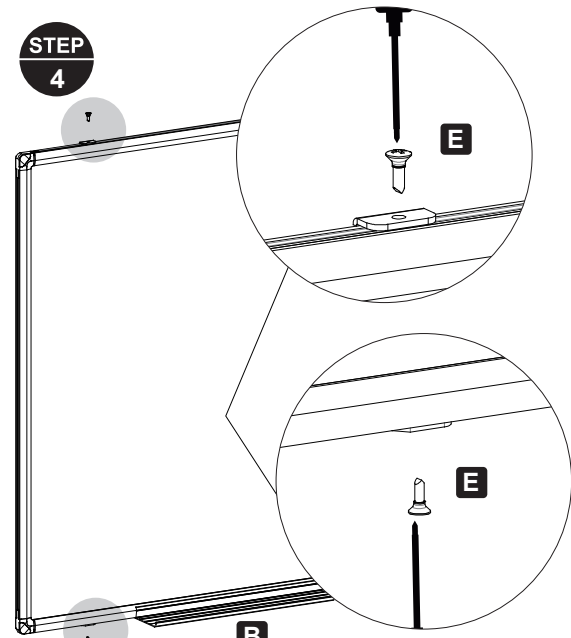
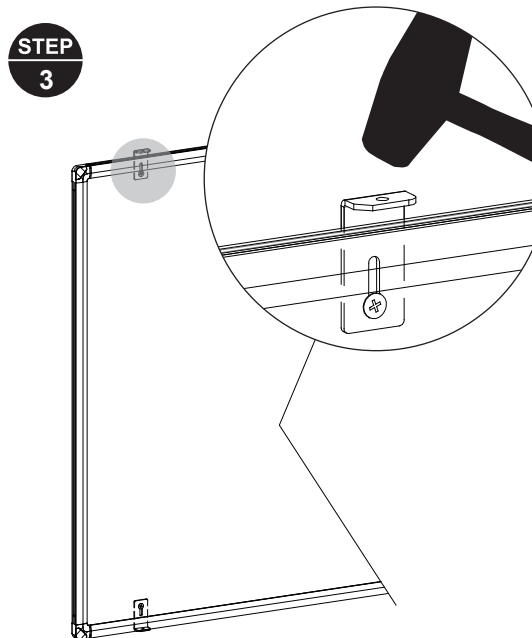
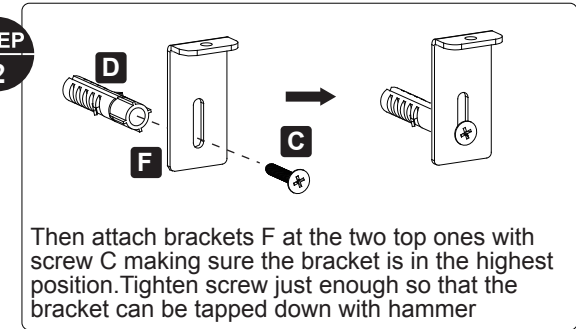
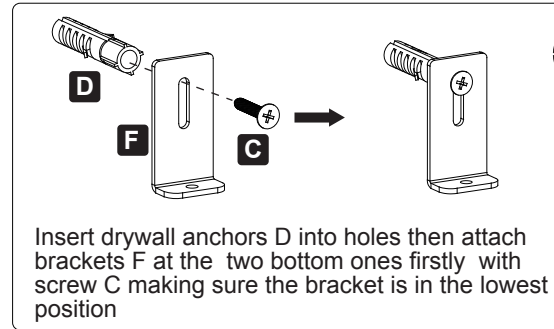
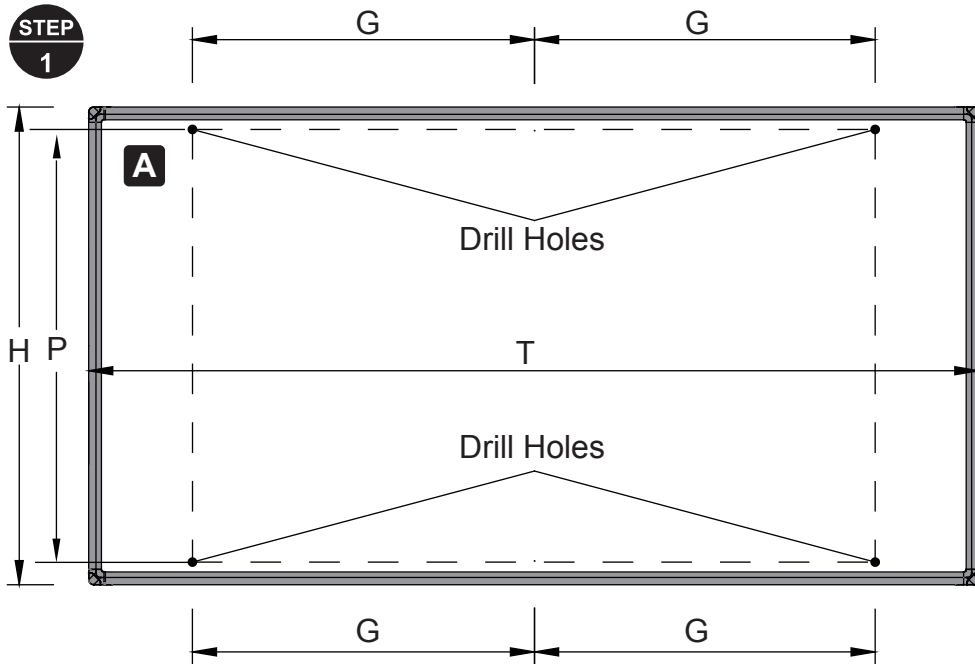
Cleaning Tip: A mild dish washing liquid can be used with a soft cloth to clean the writing surface.

Parts List: Note: Hardware provided is for drywall installation. If attaching to other material fasteners are to be furnished by other.



Tools Required

- Tape Measure
- pencil
- Drill
- Drill Bit
- Hammer
- Phillips screwdriver



SIZE	T	H	G	P
W90xL150	1500MM	900MM	610MM	835MM
W100xL180	1800MM	1000MM	610MM	935MM
W100xL200	2000MM	1000MM	610MM	935MM
W120xL180	1800MM	1200MM	610MM	1135MM
W120xL200	2000MM	1200MM	610MM	1135MM