


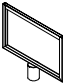



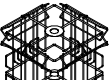
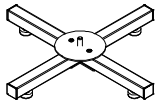
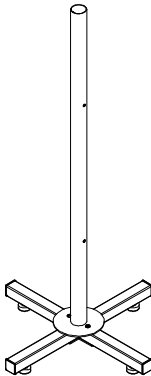
 <p>Base 1pcs</p>			 <p>Pole#1 1pcs</p>	 <p>Pins 4pcs</p>	 <p>Pole#2 1pcs</p>	 <p>removable header 1pcs</p>	<h1>4RTMZBRBK</h1> <h2>Assembly Instructions</h2>
 <p>M5*12 cross screw 2pcs</p>	 <p>Levelers 4pcs</p>	 <p>End caps 4pcs</p>	 <p>Magazine pockets (4 sides) 4pcs</p>				

### step 1



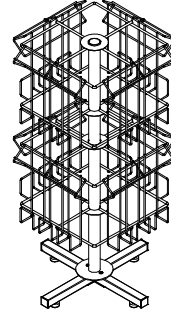
1. Fix the base using (2) M5\*12 cross screw. Then assembly the end caps and levelers (or wheels) into the base.

### step 2



2. Please insert and whirl the Pole#1 into the base.

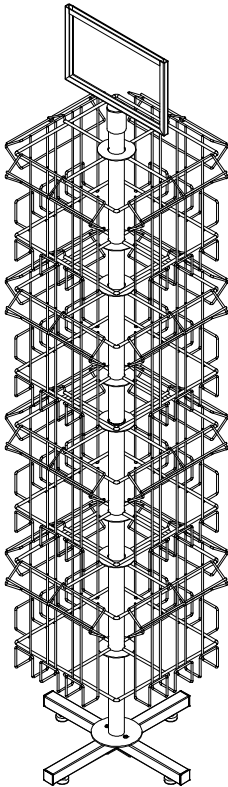
### step 3



3. There are 2 holes on Pole#1. Insert (1) pin in the 1st hole for pole#1, then insert (1) Magazine pocket on top of it. Repeat the above steps on the 2nd hole on Pole#1.

[ You will have total (2) Magazine pockets being assembled now. ]

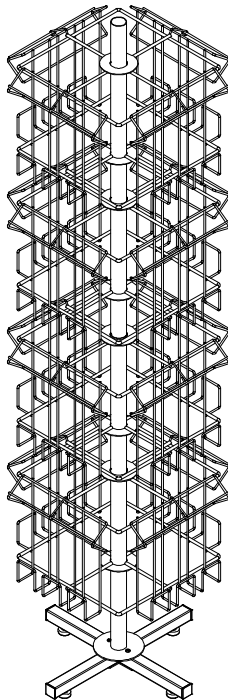
### step 6



6. Put the removable header on top of Pole#2.

Complete, and product ready to use.

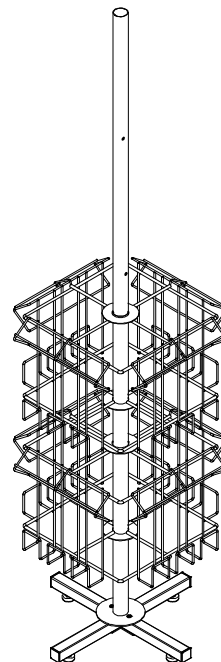
### step 5



5. Repeat Step 3.

[ You will have total (4) Magazine pockets being assembled now. ]

### step 4



4. Assembly Pole#2 on top of Pole#1.