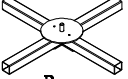
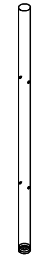


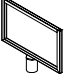



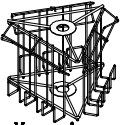
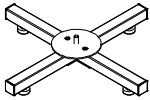


3RTMZBRBK Assembly Instructions

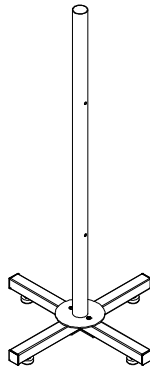
 Base 1pcs			 Pole#1 1pcs	 Pins 4pcs	 Pole#2 1pcs	 removable header 1pcs
 M5*12 cross screw 2pcs	 Levelers 4pcs	 End caps 4pcs	 Magazine pockets (3 sides) 4pcs			

step 1



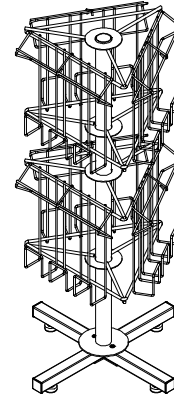
1. Fix the base using (2) M5*12 cross screw. Then assembly the end caps and levelers (or wheels) into the base.

step 2



2. Please insert and whirl the Pole#1 into the base.

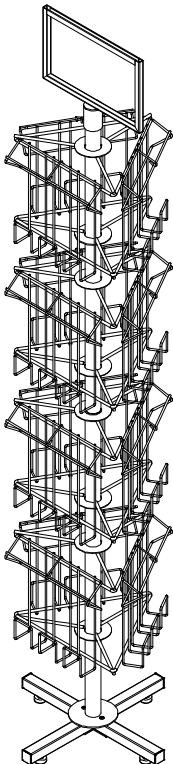
step 3



3. There are 2 holes on Pole#1. Insert (1) pin in the 1st hole for pole#1, then insert (1) Magazine pocket on top of it. Repeat the above steps on the 2nd hole on Pole#1.

[You will have total (2) Magazine pockets being assembled now.]

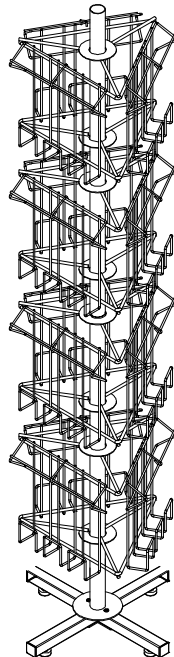
step 6



6. Put the removable header on top of Pole#2.

Complete, and product ready to use.

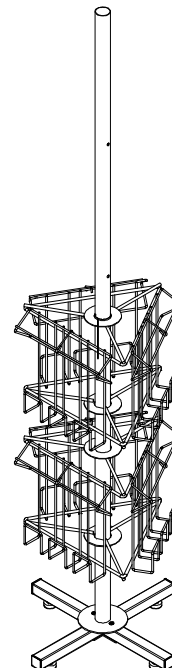
step 5



5. Repeat Step 3.

[You will have total (4) Magazine pockets being assembled now.]

step 4



4. Assembly Pole#2 on top of Pole#1.