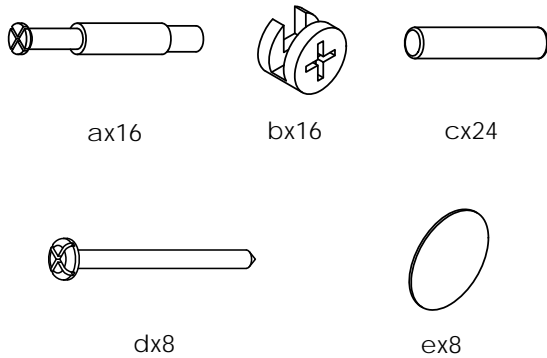
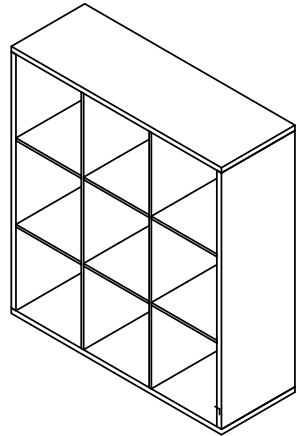


WINFLBRN09 INSTRUCTIONS

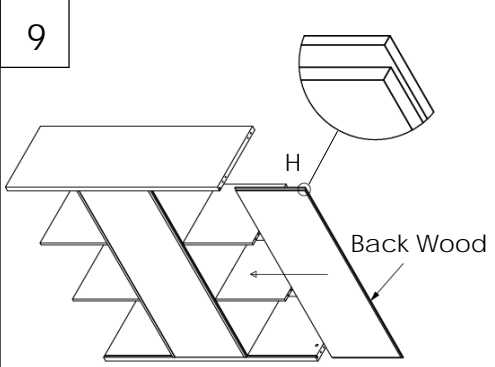
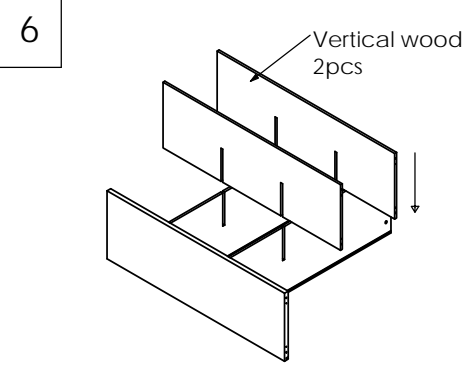
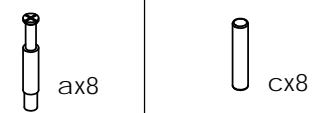
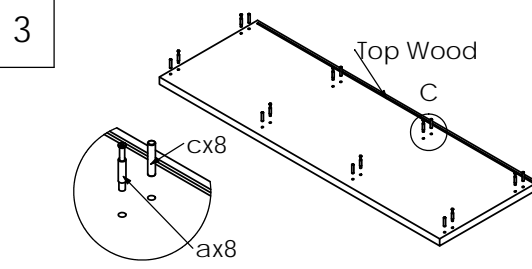
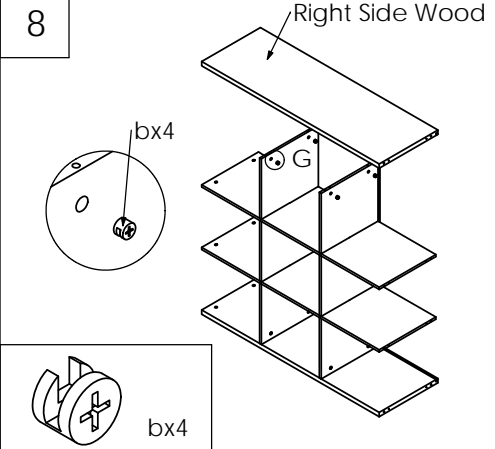
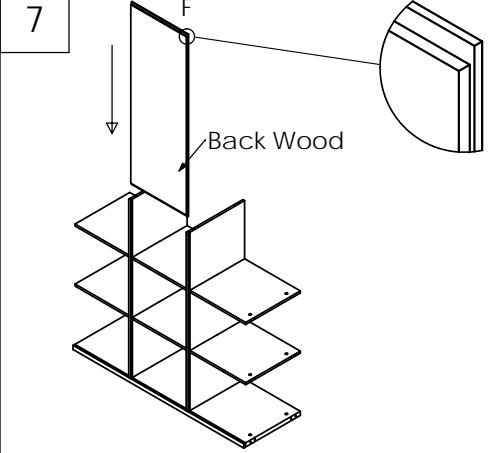
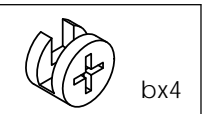
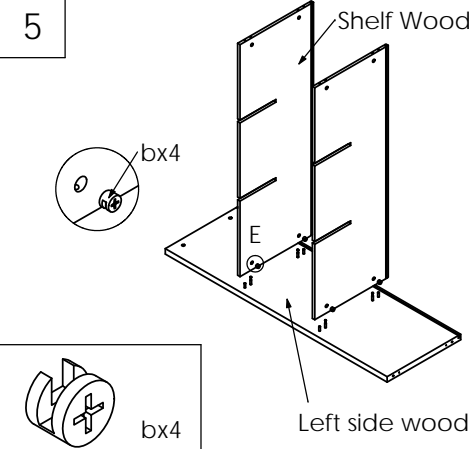
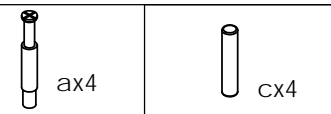
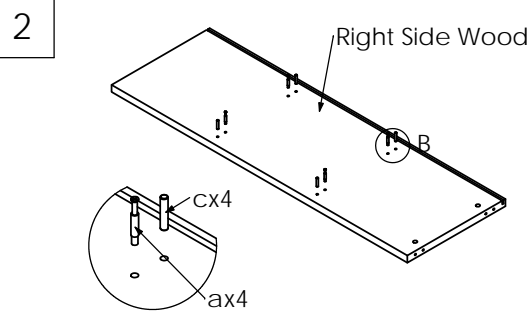
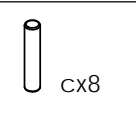
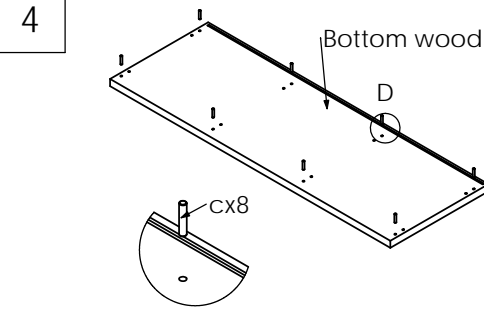
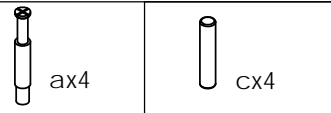
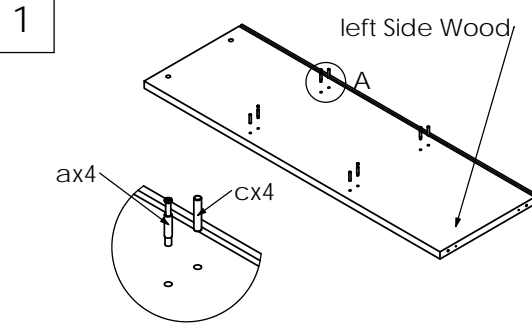
Rev. 04/19



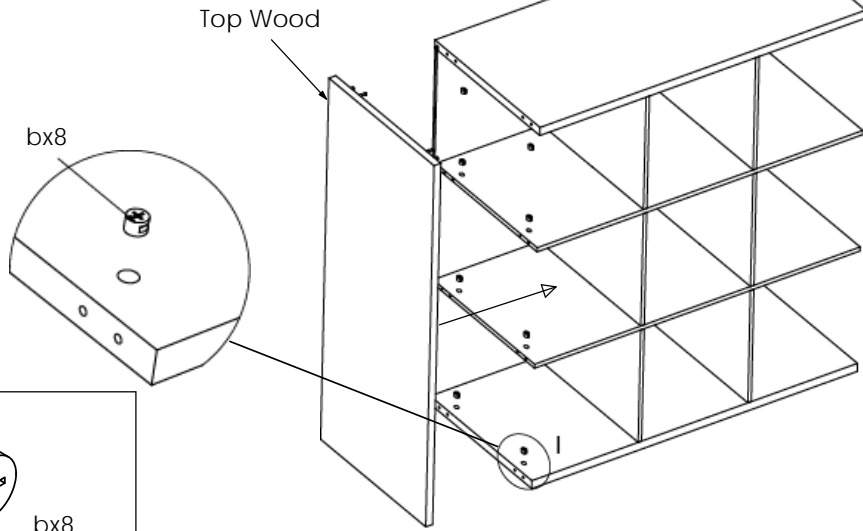
IMPORTANT:

The display unit can be assembled without flipping or rotating during the assembling process until the last step.

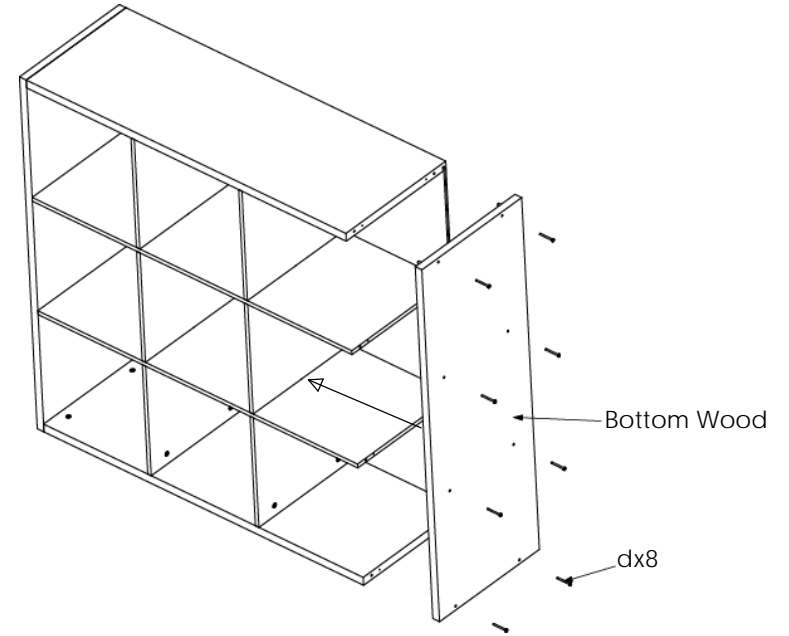
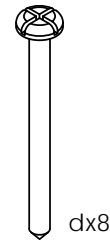
Flipping the unit can greatly increase the chance of hardware failure, which could lead to unreparable damage to wooden boards.



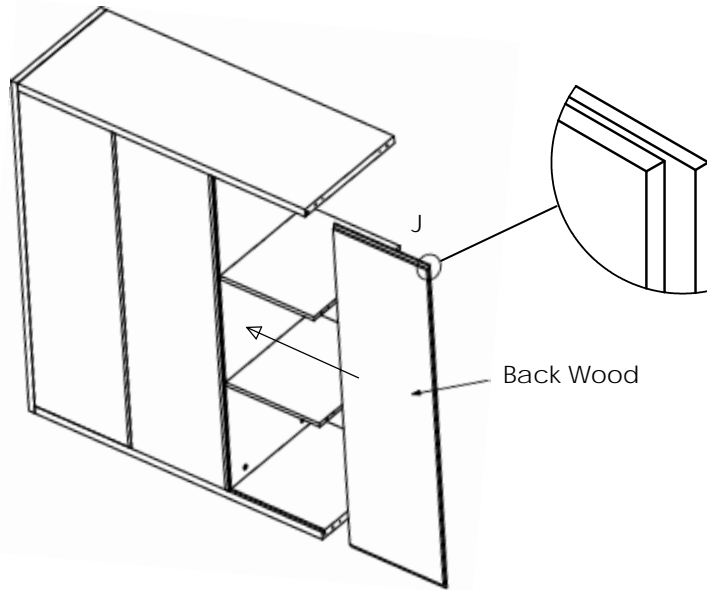
10



12

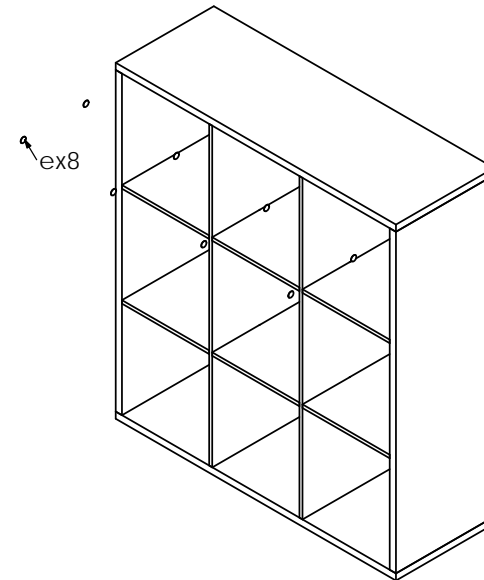


11



13

Carefully turn the assembled unit to its upright position. 2 people are required.



Scan QR code to visit the product page:

