
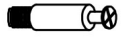






ASSEMBLY INSTRUCTIONS

TRASH RECEPTACLE - CIRCULAR TOP OPENING

DISPLAYS2GO

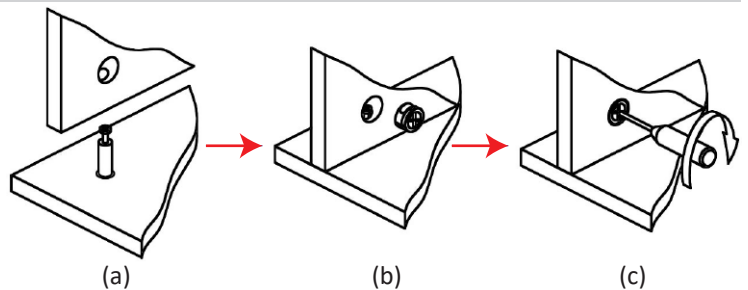
PARTS		
A	Top Panel	1pc
B	Side Panel	2pcs
C	Middle Panel	1pc
D	Back Panel	1pc
E	Bottom Panel	1pc
F	Toe Kick Panel	1pc
G	Door Panel	1pc

HARDWARE			
H1	Cam Lock	30pcs	
H2	Cam Post	30pcs	
H3	Wood Screw	12pcs	
H4	Concealed Hinge	2pcs	
H5	Door Handle	1pc	
H6	Screw	2pcs	

ATTENTION: Unpack the unit and confirm all hardware are present. If any hardware required is missing, or if you have any questions regarding our products, please contact D2G customer service at 844-221-3388. Assemble the unit on a carpeted floor or on a soft surface work area to avoid any scratch. A phillips screw driver is needed. 2 people recommended.

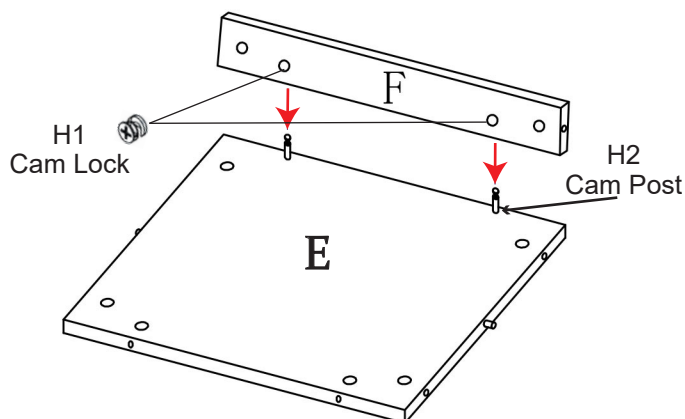
How to join 2 boards with CAM lock:

- Insert cam post into flat surface of a board. Fit the hole in the edge of the joining board over the cam post.
- Each cam lock has an open section at the back. Insert the cam lock into the cam. Be sure the opening fits the head of the cam post.
- Use a screw driver to turn the cam lock clockwise so it locks onto the head of the cam post. Do not over tighten.



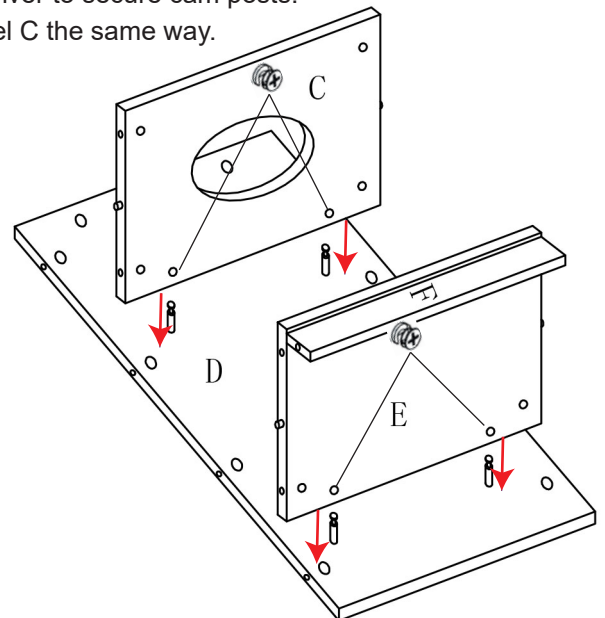
- Insert 2 cam posts (H2) into holes in Panel E. Tighten only until snug. Fit cam holes in the edge of Panel F over the cam posts. Insert 2 cam locks (H1) into cam lock holes on Panel F, use a phillips screw driver to turn cam locks clockwise to secure cam posts.

DO NOT over-tighten.

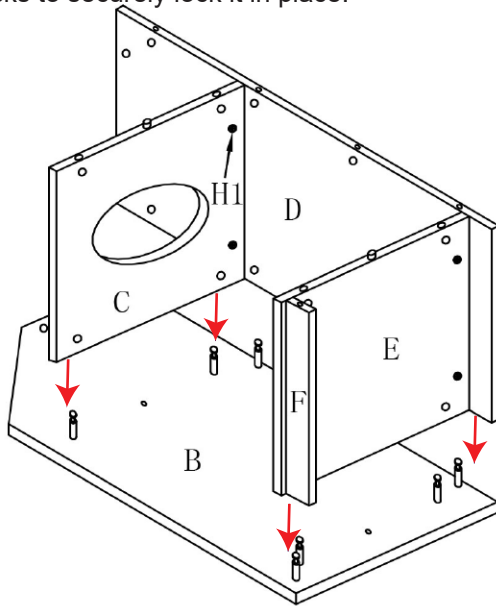


- Insert 4 cam posts into holes in Panel D as shown below. Attach Panel C and assembled Panel E to Panel D by inserting cam posts into the cam lock holes. Insert 2 cam locks into cam lock holes on Panel E, turn cam locks clockwise with a phillips screw driver to secure cam posts.

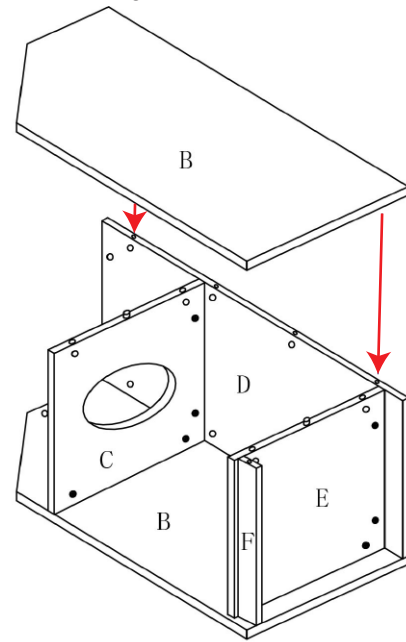
Fix Panel C the same way.



3. Insert 9 cam posts into holes in Panel B as shown below. Attach the panel assembly in STEP 2 to Panel B and use cam locks to securely lock it in place.

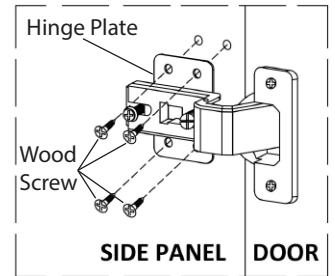
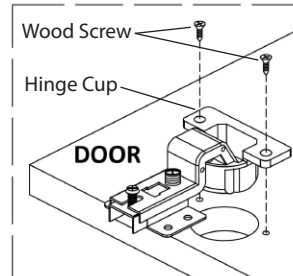


4. Insert 9 cam posts into another Panel B. Assemble this Panel B the same way as in STEP 3.

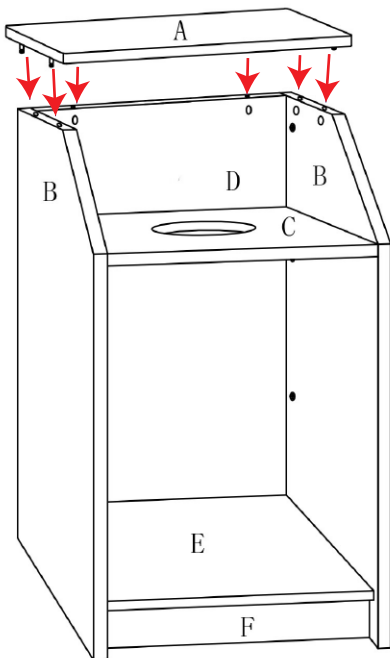


How to install concealed hinges.

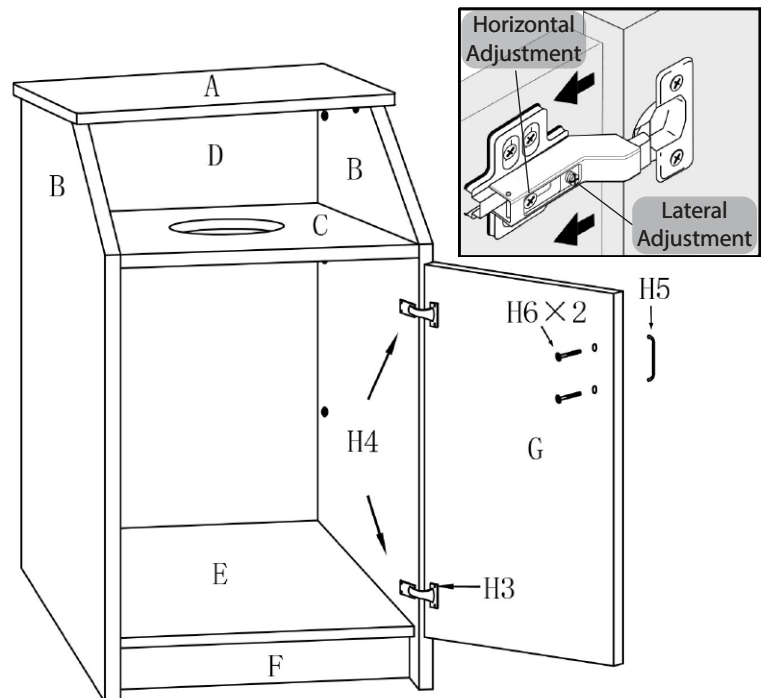
- (a) Press the hinge cup into one flat-bottomed hole in the door. Be sure the edge of the hinge is parallel with the edge of the door.
- (b) Drive wood screws (H3) through screw holes in the flange to fix the hinge cup. Secure the other hinge cup in the 2nd bored hole in door.
- (c) Attach the door with hinges assembled with Panel B. Align holes in the hinge plate with pre-drilled holes in Panel B. Drive wood screws (H3) into pre-drilled holes to fix the door panel.



5. Insert 6 cam posts into another Panel A. Assemble the Panel A with rest panels by inserting the cam posts into corresponding holes. Fix the top panel with the rest cam locks.



6. Assemble the door handle (H5) with screws (H6). Open and close the door a few times to check the alignments. loosen or tighten the hinge adjustment screws as needed to refine the fit of the door. Turn screws a little at a time until the door reaches desired position and works properly.



Don't forget to order the rubber liner to finish your receptacle.