
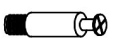

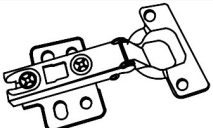


ASSEMBLY INSTRUCTIONS

TRASH RECEPTACLE - "THANK YOU"

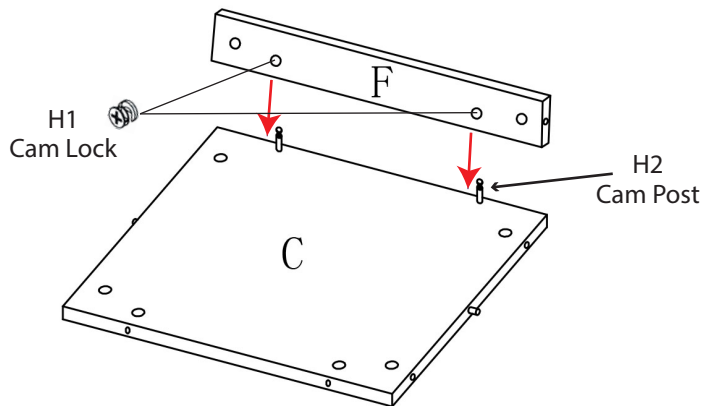
DISPLAYS2GO

PARTS		
A	Top Panel	1pc
B	Side Panel	2pcs
C	Bottom Panel	1pc
D	Back Panel	1pc
F	Toe Kick Panel	1pc
g	"THANK YOU" Sign Flip Door	1pc
G	Swing Door	1pc
H	Divider Panel	1pc

HARDWARE			
H1	Cam Lock	28pcs	
H2	Cam Post	28pcs	
H3	Wood Screw	12pcs	
H4	Concealed Hinge	2pcs	

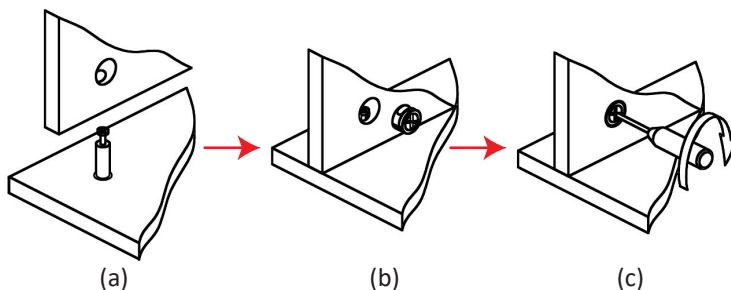
Attention: Before you start assembling your trash receptacle; please prepare a soft surface work area on the floor. The only tool you will need is a screwdriver. Carefully remove all hardware from packaging and place the hardware parts on the soft work area where they will not come in contact with the laminated wood components. To avoid damage to the laminated wood surfaces, keep hardware parts separated until they are needed for assembly. 2 PERSON RECOMMENED.

1. Screw 2 cam posts (H2) into the holes in Panel C. Attach Panel F to Panel C by inserting cam posts into the cam lock holes. Insert 2 cam locks (H1) into cam lock holes on Panel F, use a phillips screw driver to rotate cam locks clockwise to secure cam posts.

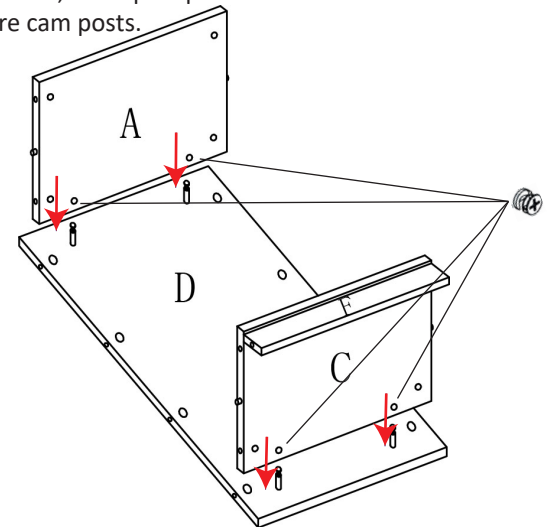


How to join 2 boards with CAM lock:

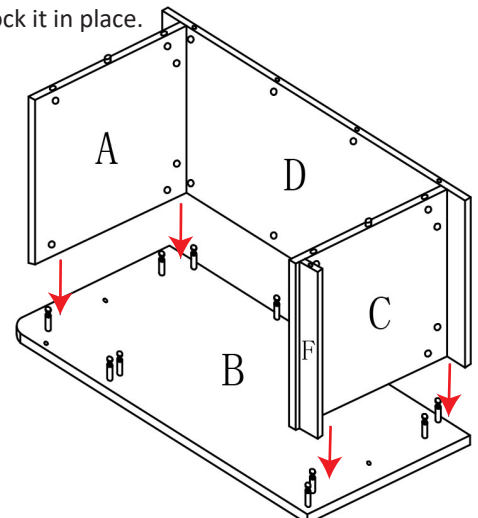
- Insert cam post into flat surface of a board. Fit the hole in the edge of the joining board over the cam post.
- Each cam lock has an open section at the back. Insert the cam lock into the cam. Be sure the opening fits the head of the cam post.
- Use a screw driver to turn the cam lock clockwise so it locks onto the head of the cam post. Do not over tighten.



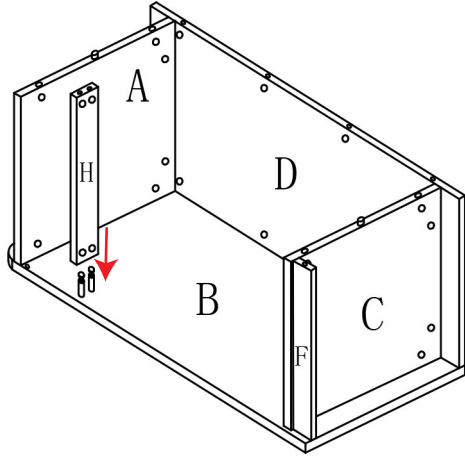
2. Screw 4 cam posts into the holes in Panel D. Attach Panel A and assembled Panel C to Panel D. Insert 4 cam locks into cam lock holes on Panel A and Panel C, use a phillips screw driver to rotate cam locks clockwise to secure cam posts.



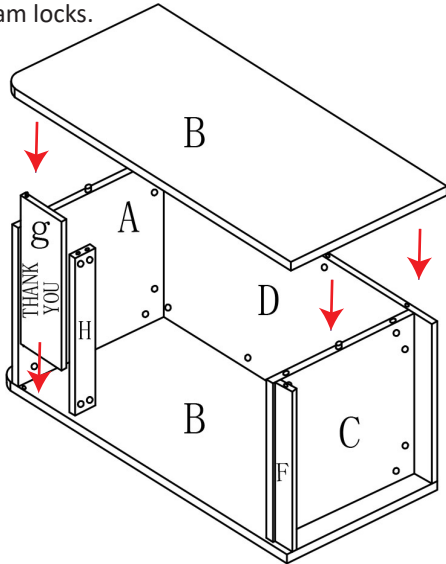
3. Insert 11 cam posts into the pre-threaded holes in Panel B as shown below. Attach the assembled panels in STEP 2 to Panel B and use cam locks to securely lock it in place.



4. Assemble Panel H by inserting 2 cam posts into cam lock holes in Panel H. Then securely lock Panel H by inserting cam locks and rotating clockwise.

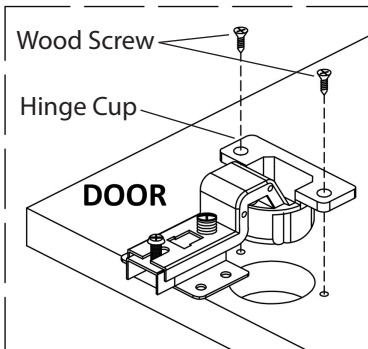


5. Insert 11 cam posts into another Panel B. Install Swing Door g onto assembled panels with sign facing outside, and hold it at its place. Attach the 2nd Panel B to the assembled receptacle body by inserting the cam posts into corresponding holes, then insert and tighten cam locks.

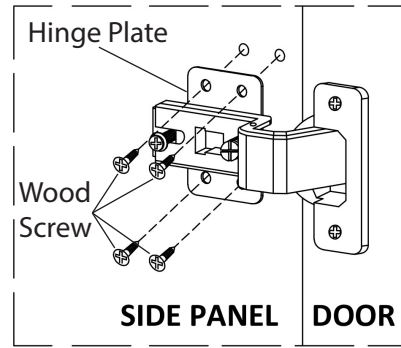


6. Install concealed hinges (H4).

(a) Press the hinge cup into one flat-bottomed hole in the door. Be sure the edge of the hinge is parallel with the edge of the door.
 (b) Drive wood screws provided through screw holes in the flange to fix the hinge cup. Secure the other hinge cup in the 2nd bored hole in door.

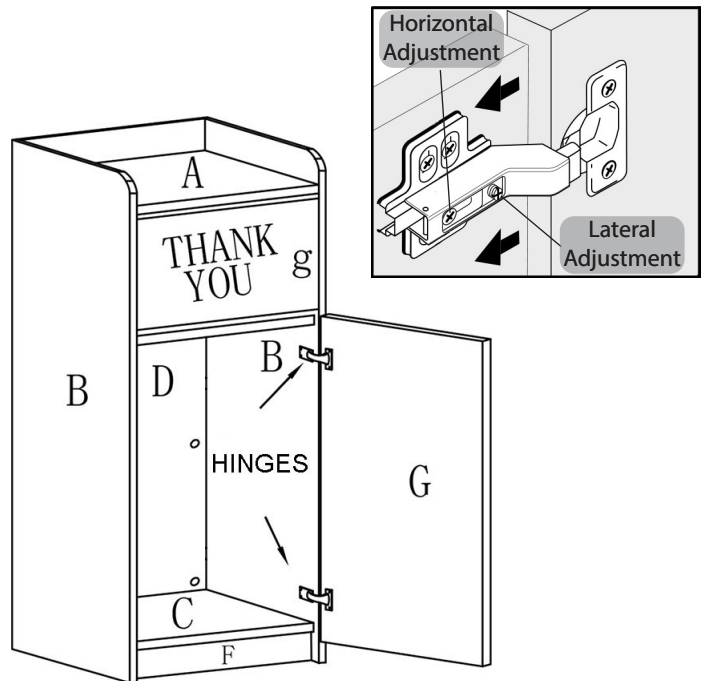


(c) Hold the door with concealed hinge assembled, and align holes in the hinge plate with pre-drilled holes in Panel B. Drive wood screws into pre-drilled holes to fix the door panel.

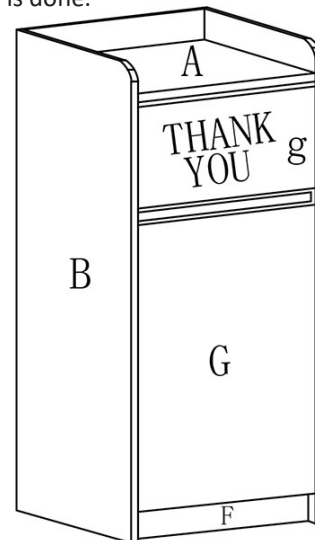


7. Door Adjustments

Open and close the door a few times to check their alignments. loosen or tighten the hinge adjustment screws as needed to refine the fit of the door. Turn screws a little at a time until the door reaches desired position and works properly.



8. The assembly is done.



Don't forget to order the rubber liner to finish your receptacle.