

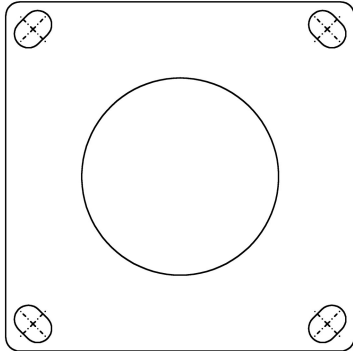
MOUNTING INSTRUCTIONS - FGSTEELSB

Ver. 09/19

Thank you for purchasing the heavy duty, highly visible steel bollard! It should be mounted on flat level concrete. Mounting anchors are included in the box. For other applications, use hardware suitable for the surface.

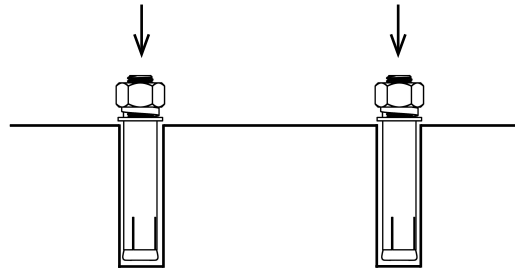
⚠ IMPORTANT: For your safety, the bollard must be installed in accordance with applicable installation code by a licensed person who is familiar with the construction of the product and hazards that may be involved.

Step 1. Use the steel bollard as a template, mark the center of the holes on the flat concrete floor through the base plate of the bollard.

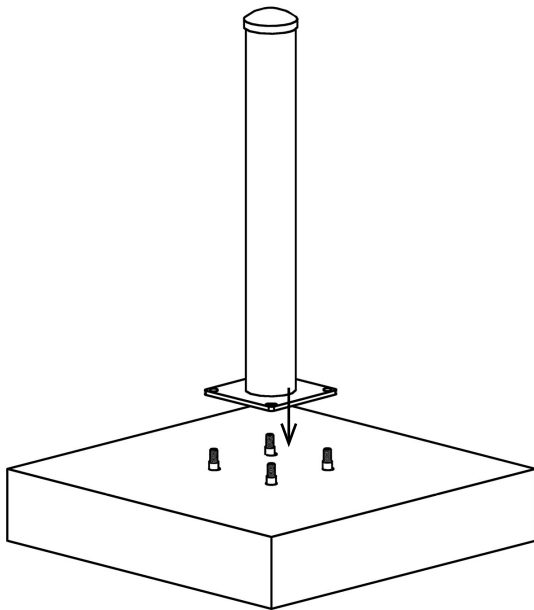


Remove the bollard and drill the four holes at marked locations.

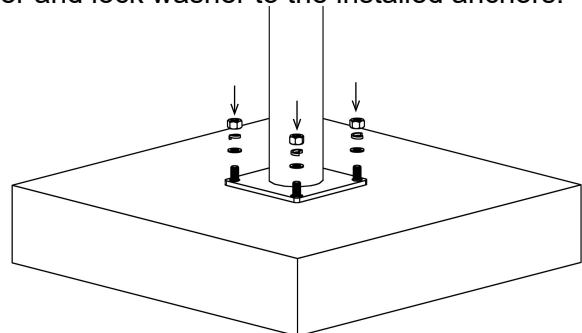
Step 2. Insert 4 expansion anchors into the holes. Use Hammer to set anchors as needed.



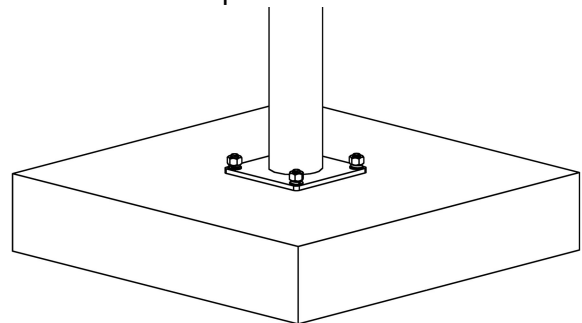
Step 3. Remove nuts and washers from the expansion anchors, and align the mounting holes with anchors to install the metal bollard body to the desired location.



Step 4. Secure the bollard by tightening nuts with flat washer and lock washer to the installed anchors.



The installation is completed.



Scan QR code to visit the product page:



If you have any questions regarding our products, please visit us at www.displays2go.com or contact D2G customer service at 844-221-3388.

DISPLAYS2GO