

ASSEMBLY INSTRUCTIONS

IFDC8040 - Glass Display Case - Double Door



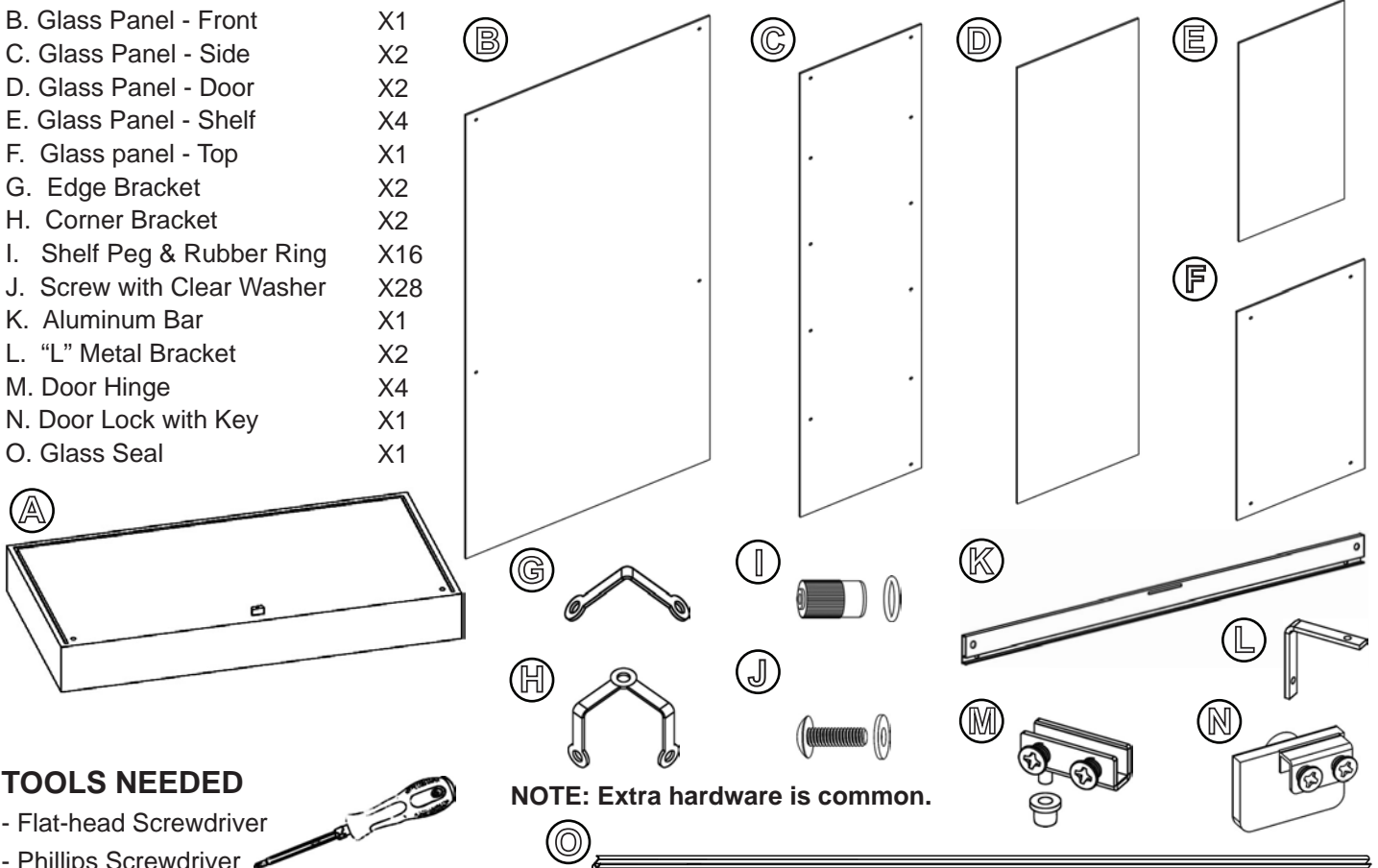
IMPORTANT SAFETY INFORMATION:

Read all instructions before start installing the unit. Displays2go is not responsible for any damage or injury caused by incorrect installation, assembly or use. 3 people are recommended for assembling.

PARTS LIST

A. Base	X1
B. Glass Panel - Front	X1
C. Glass Panel - Side	X2
D. Glass Panel - Door	X2
E. Glass Panel - Shelf	X4
F. Glass panel - Top	X1
G. Edge Bracket	X2
H. Corner Bracket	X2
I. Shelf Peg & Rubber Ring	X16
J. Screw with Clear Washer	X28
K. Aluminum Bar	X1
L. "L" Metal Bracket	X2
M. Door Hinge	X4
N. Door Lock with Key	X1
O. Glass Seal	X1

Unpack the base box and remove parts attached inside the base (A).
Remove glass panels from the crate and identify all glass panels.



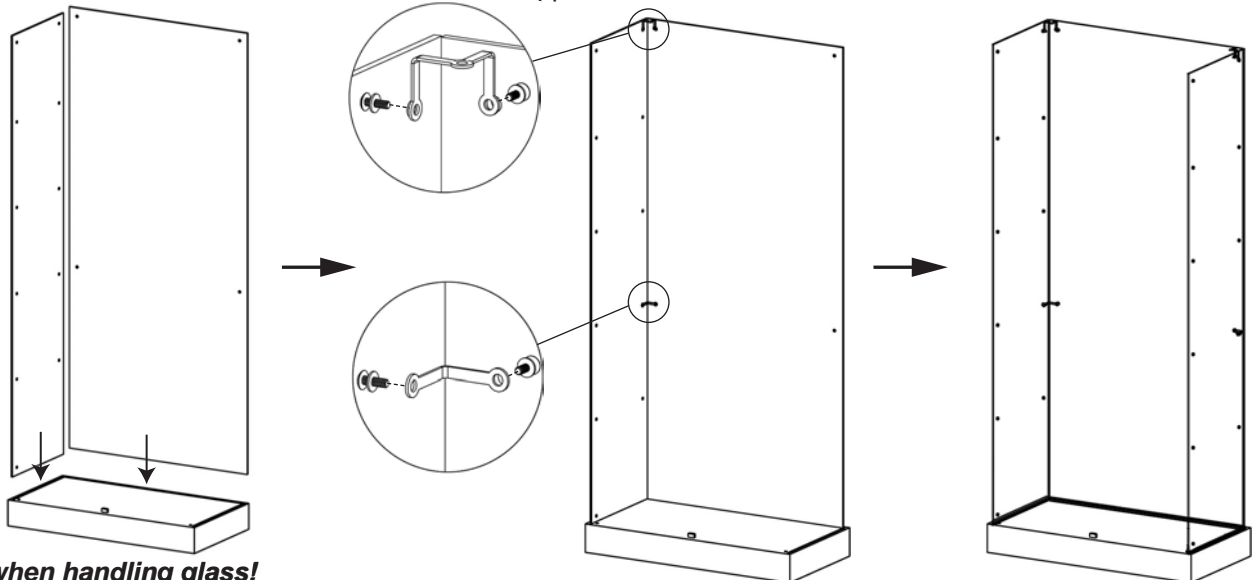
TOOLS NEEDED

- Flat-head Screwdriver
- Phillips Screwdriver



NOTE: Extra hardware is common.

1. Place the base (A) on the ground, insert the front glass panel (B) and 1 side glass panel (C) into grooves in the base. Hold glass panels in place and connect them with edge bracket (G) and corner bracket (H) by using screws (J). Tighten screws with a flat-head screw driver. Do the same for the opposite side.

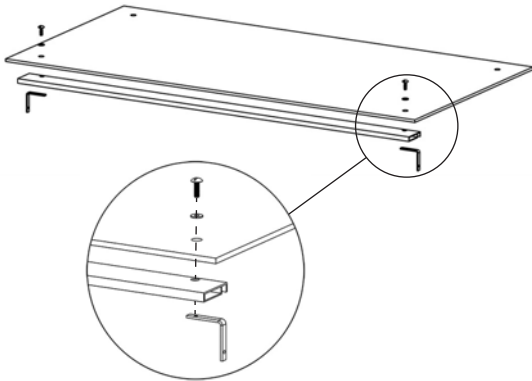


CAUTION:
Be careful when handling glass!

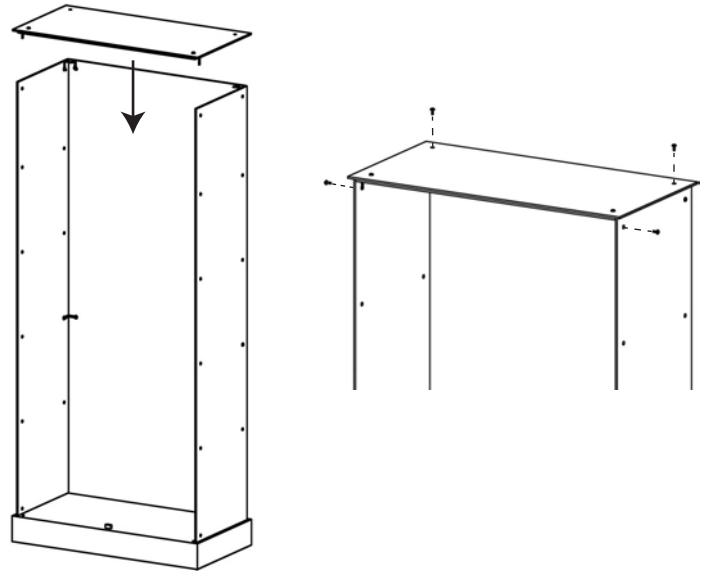
ASSEMBLY INSTRUCTIONS

IFDC8040 - Glass Display Case - Double Door

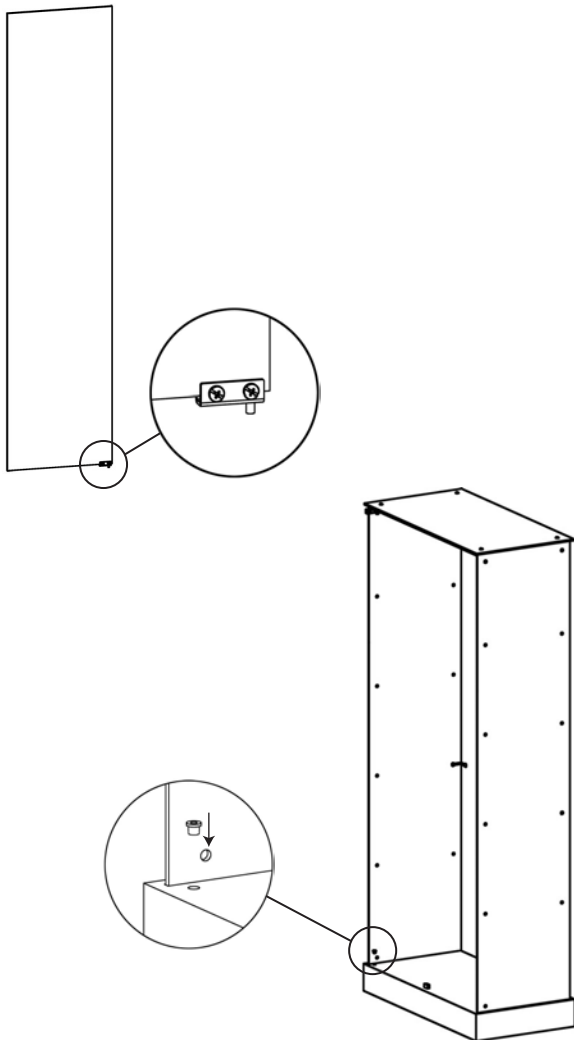
2. Attach the aluminum bar (K) and 2 "L" brackets (L) to the top glass panel (F) with screws and washers (J).



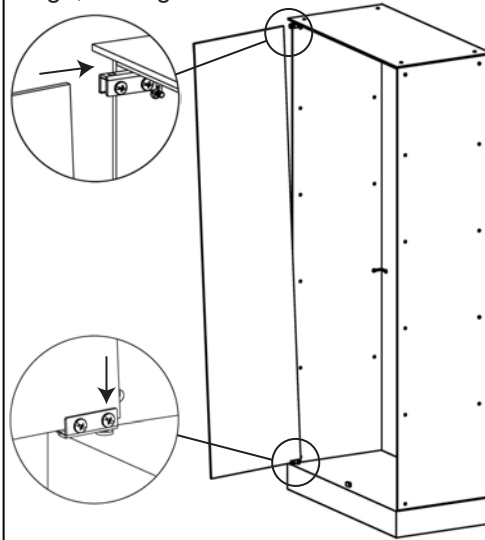
3. Carefully place the assembled glass panel on top of the display case. Secure the top panel by using screws and washers.



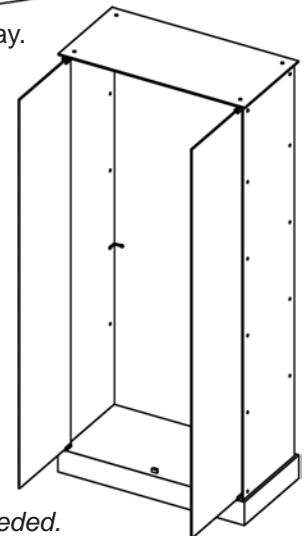
4. Attach 1 door hinge (M) to 1 door glass panel (D), fix the hinge at the corner. Insert the hinge collar into the pre-drilled hole in the base.



5. Insert the bottom hinge into the bottom collar, and hold another hinge with collar at the top, then slide the door panel into the top hinge, and tighten screws to secure the door glass in place.



Assemble the other door the same way.

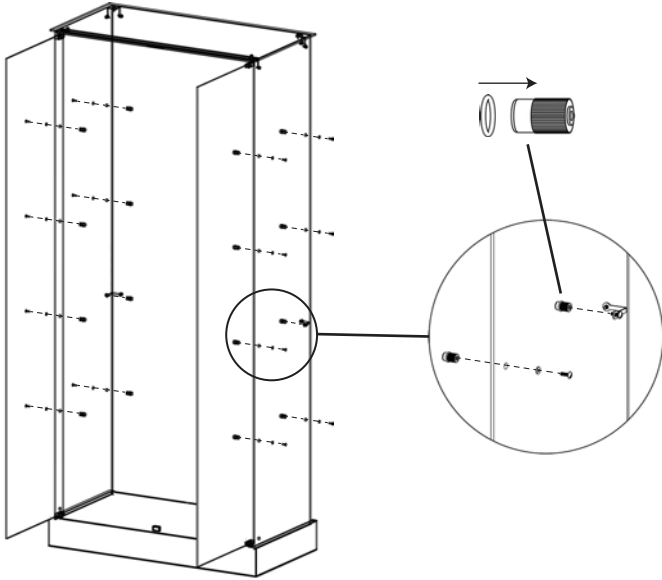


Tips: Test the doors and adjust as needed.

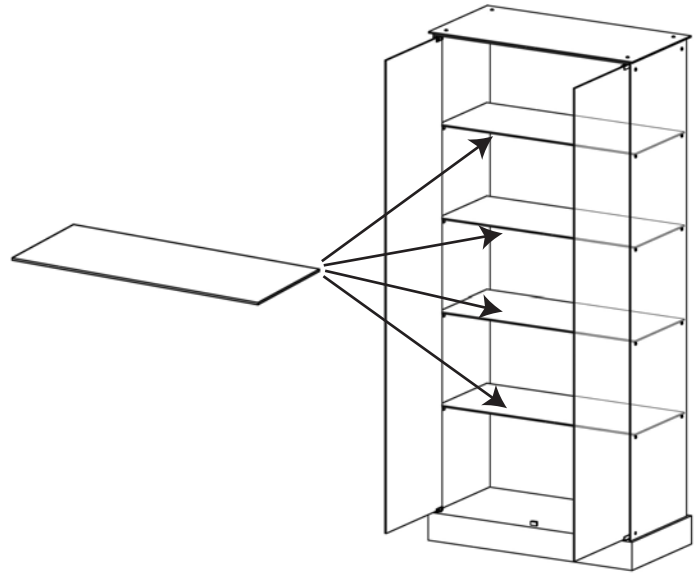
ASSEMBLY INSTRUCTIONS

IFDC8040 - Glass Display Case - Double Door

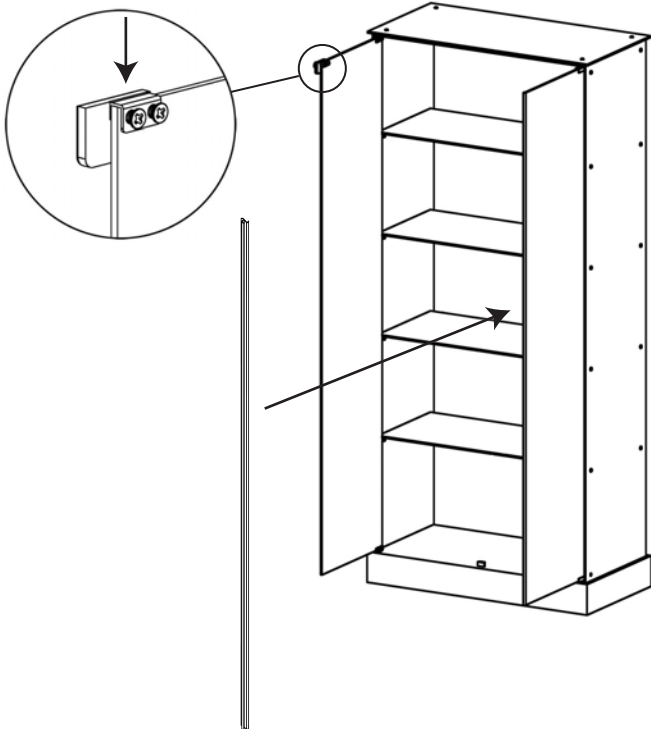
6. Fix all glass shelf pegs (I) onto the side glass panels inside with screws and washers. Make sure all the rubber rings in the hardware bag are installed on the pegs.



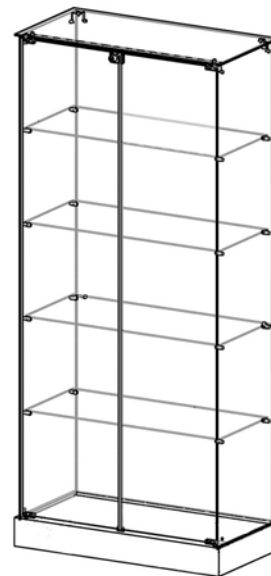
7. Carefully place 1 glass shelf (E) on the fixed pegs at the same level. Install the rest glass shelves the same way.



8. Install the door lock on the top of the glass door as shown below. Insert the glass door seal onto the edge of the glass door. Test the lock after assembling and adjust to its best fit.



9. The assembly is finished.



Scan QR code to visit the product page:



To see assembly in action, please visit the product page at www.displays2go.com for a how-to video. For additional support, contact D2G customer service at 844-221-3388.