
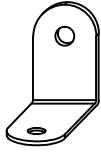

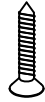
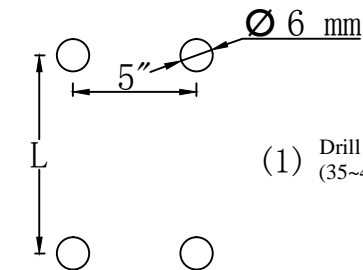


HONEYCOMB SHELF

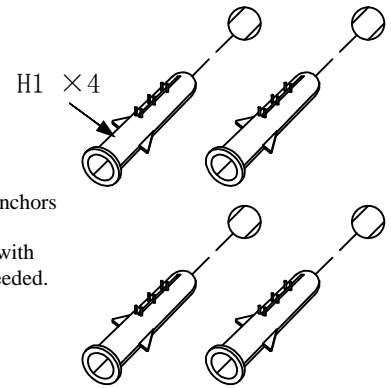
Assembly Instructions

HARDWARE							
H1	Plastic Wall Anchor	4 pcs		H3	Angle Brace	4 pcs	
H2	Screw (30mm)	4 pcs		H4	Screw (20mm)	4 pcs	

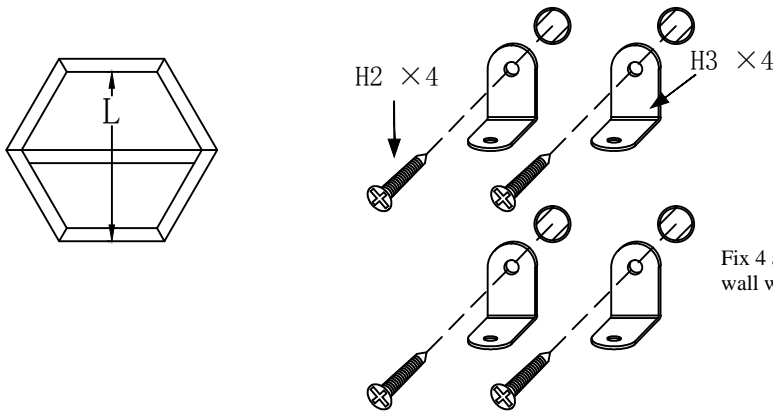
Attention: Before you start assembling your honeycomb shelf; please prepare a soft surface work area on the floor. A hammer and a screwdriver are needed to assemble the honeycomb shelf. Carefully remove all hardware from packaging and place the hardware parts on the soft work area where they will not come in contact with the honeycomb shelf. To avoid damage to the laminated wood surfaces, keep hardware parts separated until they are needed for assembly.



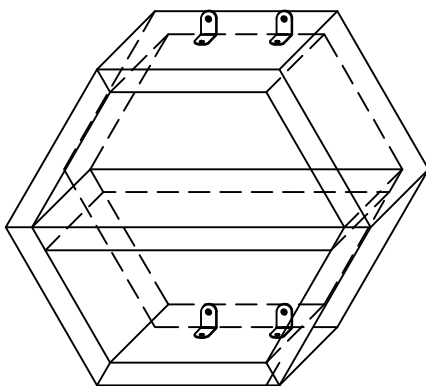
(1) Drill 4 holes on the wall (35~40mm depth)



(2) Insert 4 Wall Anchors into the holes. Use a hammer with rubber tips if needed.

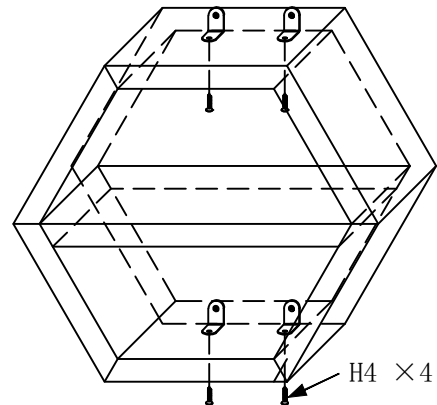


(3) Fix 4 angle braces on the wall with 4 screws(30mm)



(4)

Hang the honeycomb shelf on the angle braces



[Optional]

For extra stability, please screw the 20mm screws through the angle brace and directly into the honeycomb shelf from the bottom