

First-Time Use:

When using this product for the first time, users may need to use a little extra force, or use a lubricant spray (such as WD-40), to get the product to function properly.

Wall-Mounting:

- Please download the Standoff Mounting Instructions from the “Downloadable Files” section of the product page (we recommend these instructions over the boxed instructions).
- Please also watch the video on the product page for easy to follow instructions.

How To Rotate Adjuster Ring for Tabletop Applications:

1. Be sure the side set screws above and below the adjuster ring are backed out halfway.
2. Hold the bottom portion of the standoff in one hand.
3. Hold the top portion with your other hand.
4. Use the finger and thumb of the hand holding the bottom portion to turn the adjuster ring while keeping the top and bottom of the standoff stationary.

Trouble Getting the Adjuster Ring To Rotate:

The adjuster ring moves the clamp up and down to accommodate substrates of varying thickness.

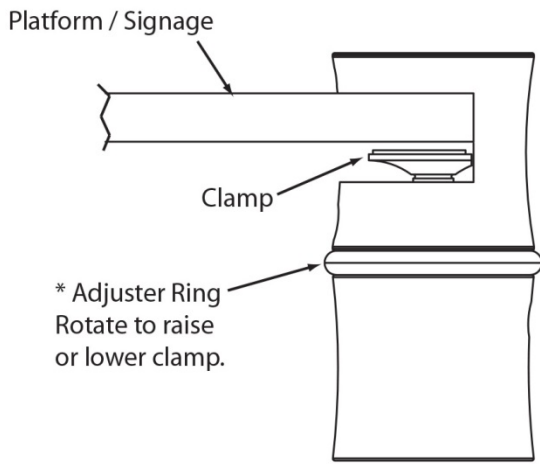
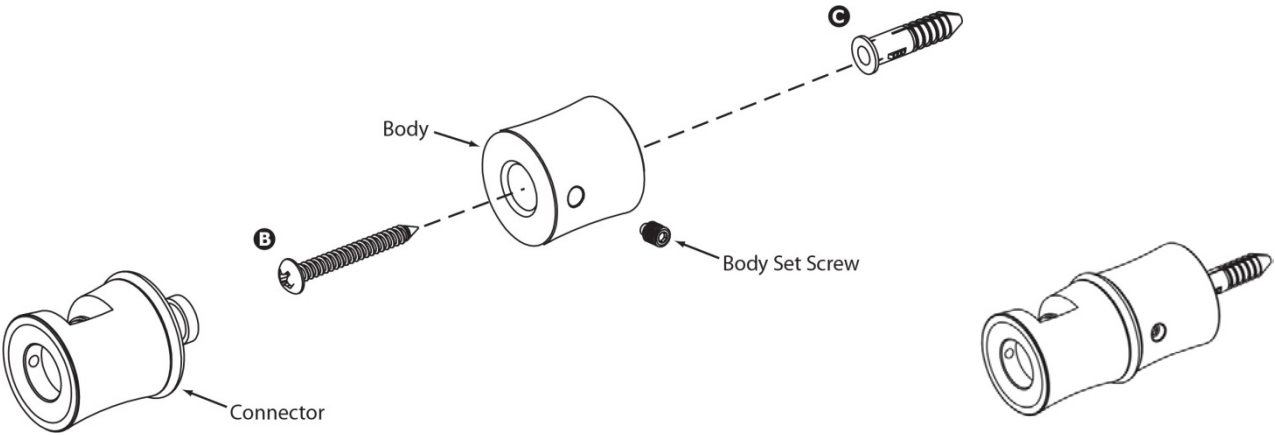
If you find this to be difficult to move, try one of the methods below:

1. Back out the set screws above and below the adjuster ring just enough to allow the ring to rotate but not allow removal.
2. Upon first use, the adjuster ring may be slightly stuck. Use force and/or a spray lubricant, as necessary, to loosen the adjuster ring.

Other Hints:

- If you are planning on securing a 6” or 8” long standoff to a solid surface (wall or tabletop you will need a long, skinny Phillips head screwdriver (shaft must be at least 8” long and no wider than 8mm).
- See illustrations below for product part names and specifications.
- These units are stackable in tabletop applications. See illustration below for more information.

Wall Mounting Specifications



Riser Tabletop / Stacking Specifications

