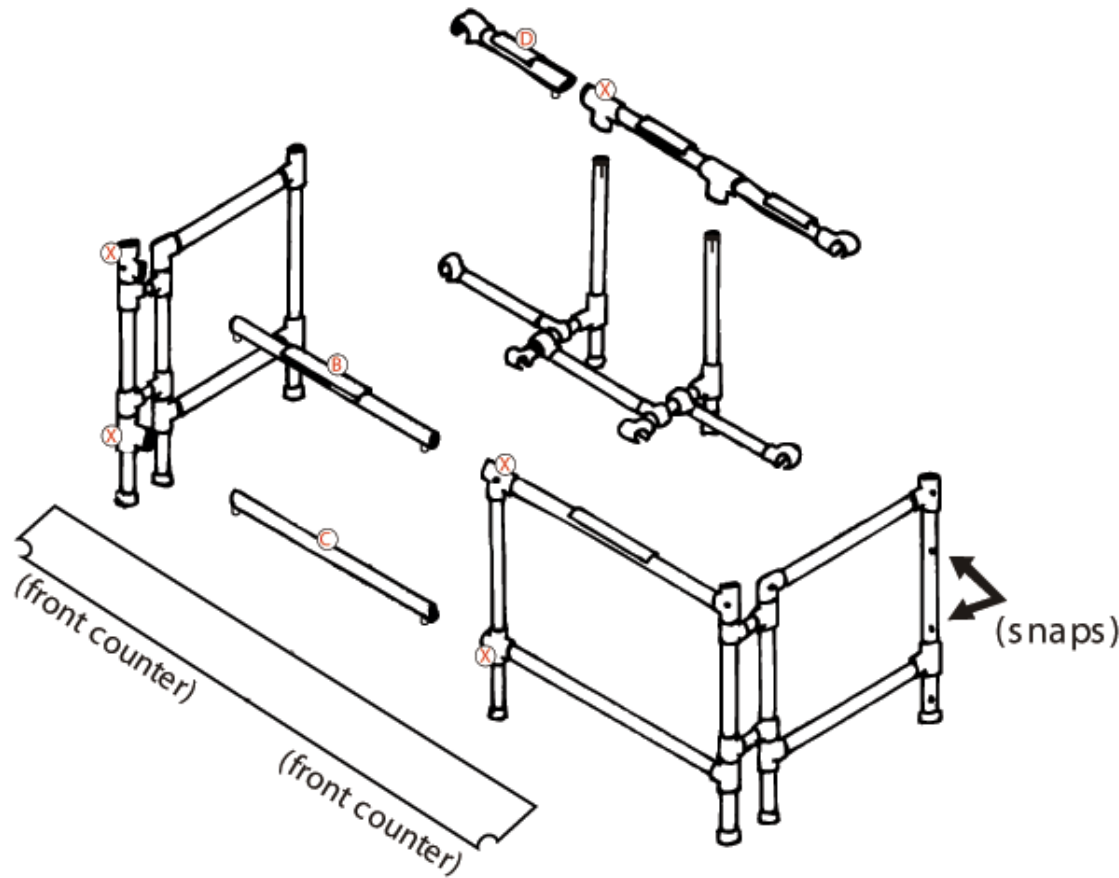
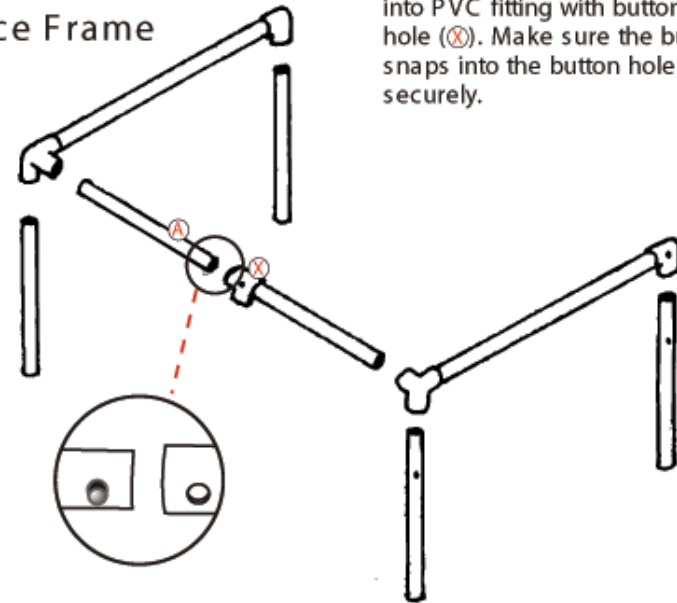


# 6 Foot Rectangular Booth

## Valance Frame

Slip pipe with button (A) into PVC fitting with button hole (X). Make sure the button snaps into the button hole securely.



## Booth Setup:

- 1) Insert pipes with buttons (B, C, D) into fittings with button holes (X). As with valance assembly (above) be sure the button snaps into button hole securely.
- 2) Position bottom frame into a rectangle with snaps facing out.
- 3) Assemble valance frame, snap on valance vinyl.
- 4) Lift the valance frame, insert into frame sockets.
- 5) Snap skirt on, starting at one end.
- 6) Clip counter legs to frame. Attach counter support cross braces.
- 7) Align counters over Velcro and press down firmly to secure.
- 8) Place undercounter shelf on bottom counter leg braces.