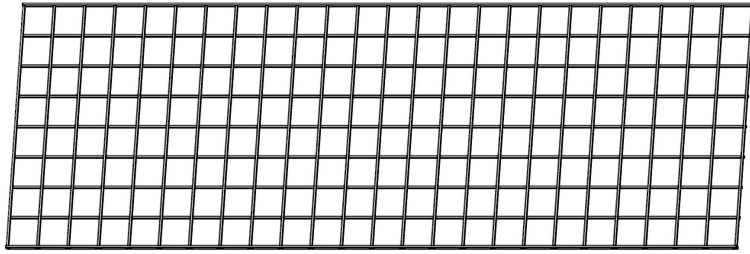
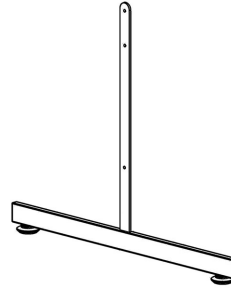


# ASSEMBLY INSTRUCTIONS

## GRIDWALL TOWER - GRDTWR



Grid Panel (2)



"T" Style Base (4)



Screw (12)

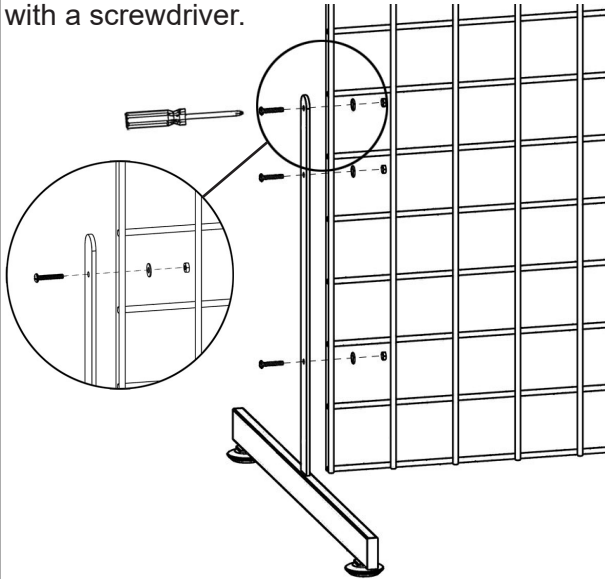


Hex Nut (12)

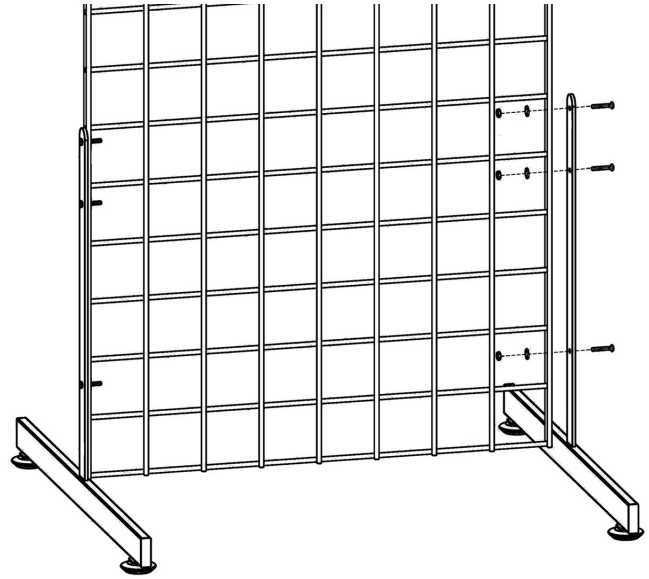


Washer (12)

1. Connect one "T" style base with one grid panel by applying screws, nuts and washers. Tighten all screws with a screwdriver.



2. Assemble another "T" style base on the other side of the grid panel using screws, nuts and washers.



3. Set the assembled gridwall tower to its upright position on a flat floor. Assemble the 2nd gridwall tower the same way.

