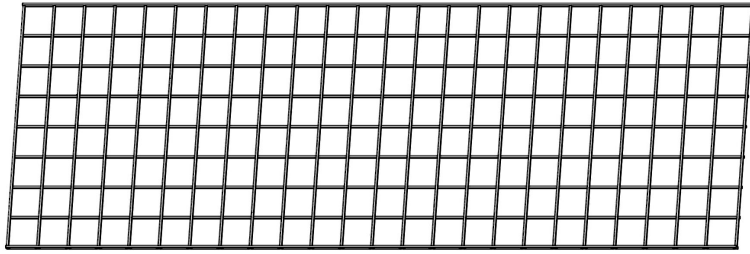
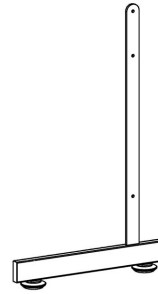


ASSEMBLY INSTRUCTIONS

GRIDWALL FLOOR STANDING, L-SHAPED BASE - GRDTWR



Grid Panel (2)



"L" Shaped Base (4)



Screw (12)

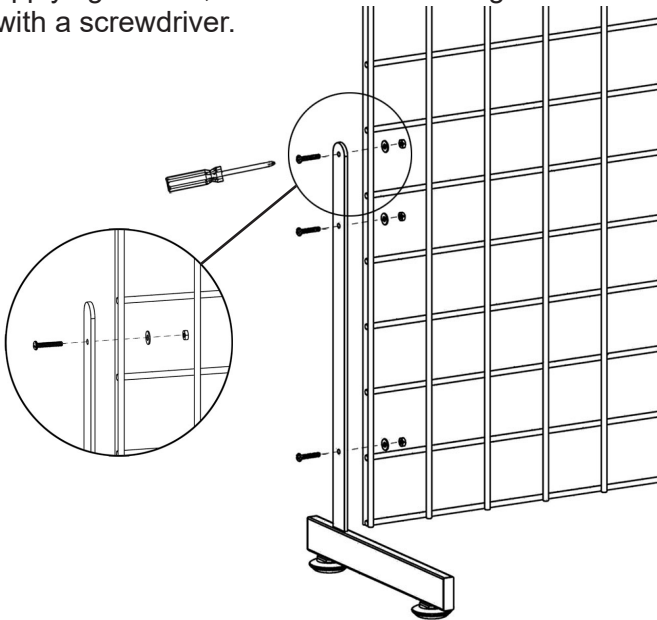


Hex Nut (12)

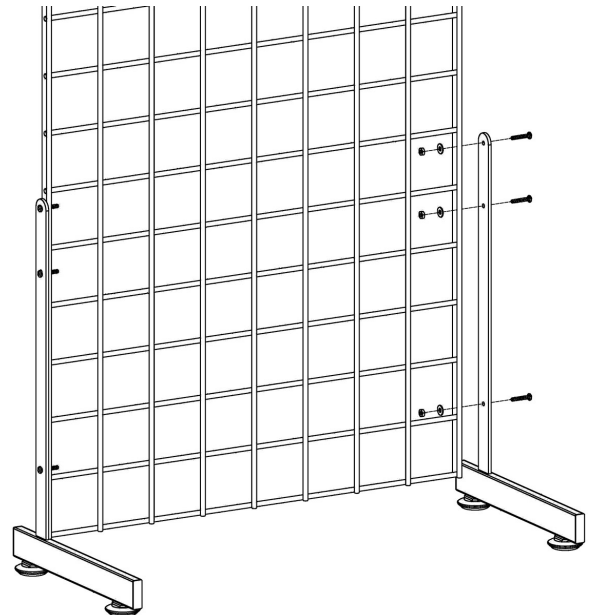


Washer (12)

1. Connect one "L" shaped base with one grid panel by applying screws, nuts and washers. Tighten all screws with a screwdriver.



2. Assemble another "L" shaped base on the other side of the grid panel using screws, nuts and washers.



3. Set the assembled gridwall stand to its upright position on a flat floor. Assemble the 2nd gridwall the same way.

