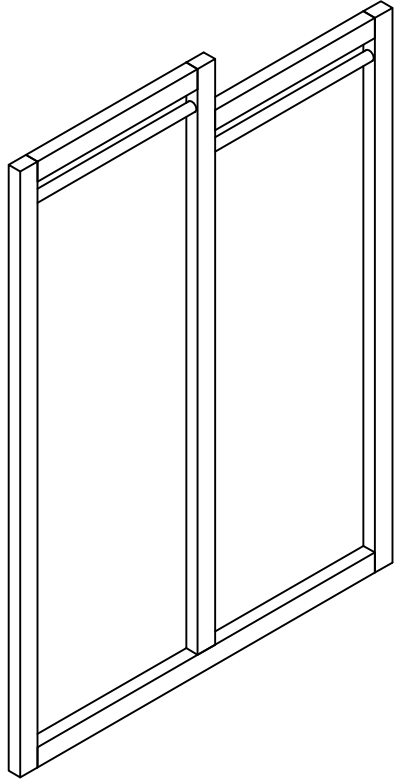
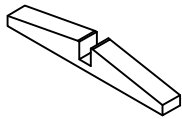


FRMRKDBLNT & FRMRKDBLWT INSTRUCTION

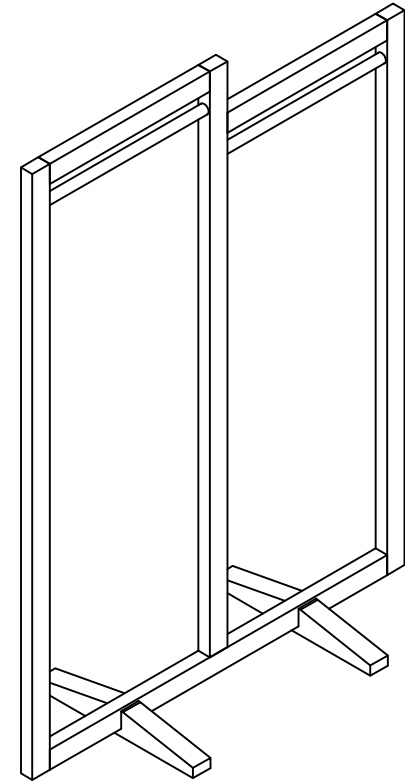
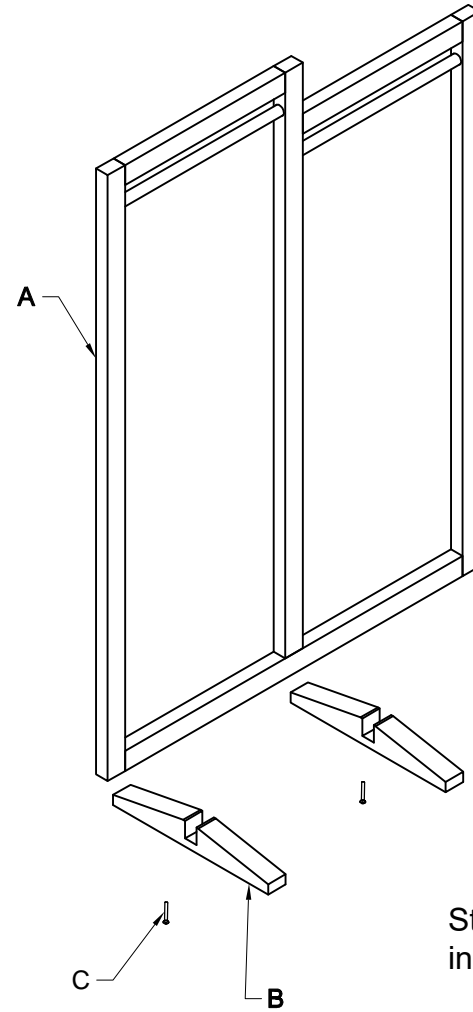
A) Double Wooden Frame 1PC



B) Base 2PCS



C) Phillips Head Screws 2PCS



Step 1: Insert the double wooden frame (A) into the slits of the 2 bases (B)

Step 2: Make sure the pre-drilled holes are lined up and fasten using the screws (C)