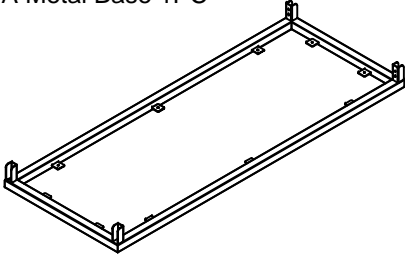
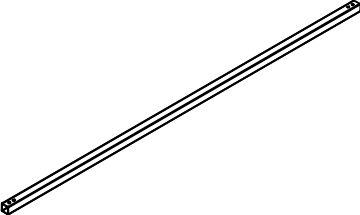
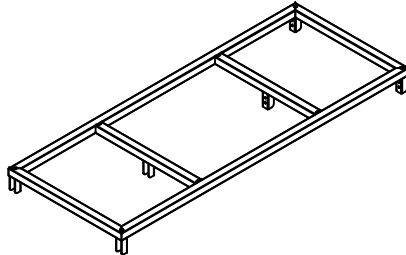

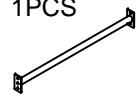

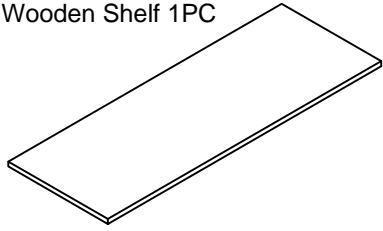
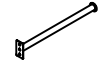

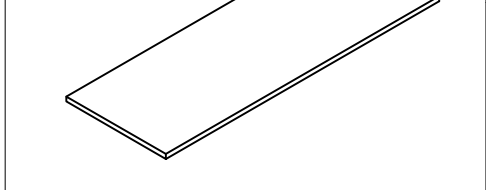


# FRMRCKWT66 INSTRUCTION

<p><b>A Metal Base 1PC</b></p> 	<p><b>C Side Uprights 4PCS</b></p> 	<p><b>D Top Roof 1PC</b></p> 	<p><b>E Hangrail Connector 2PCS</b></p> 	<p><b>F Middle Hanging Rod 1PCS</b></p> 	<p><b>H Levelers 4PCS</b></p> 	
<p><b>B Wooden Shelf 1PC</b></p> 					<p><b>G Side Hanging Rods 2PCS</b></p> 	<p><b>I White Button Head Screws 28PCS</b></p> 



**Step 1:** Screw the 4 levelers (G) into the pre-drilled holes at the corners of the bottom of the metal base (A)

**Step 2:** Place the wooden shelf (B) into the metal base (A) so they are resting on the ledges.

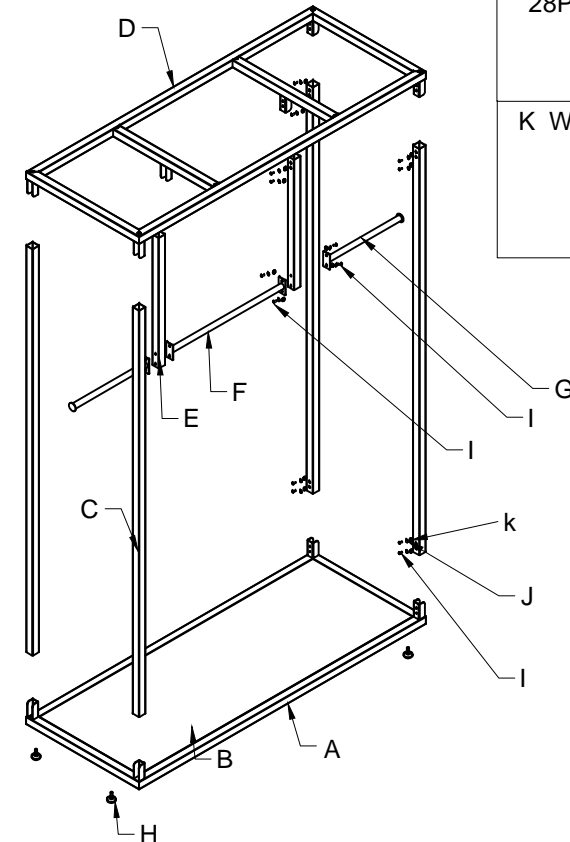
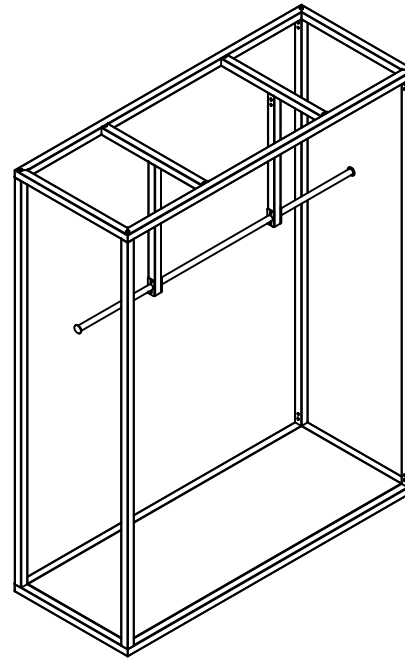
**Step 3:** Place the side uprights (C) onto the channels at the corners of the metal base (A) and fasten using the screws (I) and Washer (K) & Lock Washer(J)


**Step 4:** Place the top roof (D) into the side uprights (C) and fasten using the screws (I) and washers (J). Note: May take multiple people

**Step 5:** Place the hangrail connectors (E) over the channels in the middle of the top roof (D) and fasten using screws (I) and Washer (K) & Lock Washer(J)

**Step 6:** Fasten the middle hanging rod (F) between the 2 hangrail connectors (E) using screws (I) and Washer (K) & Lock Washer(J)

**Step 7:** Fasten side hanging rods (G) to both the left and right side of the hangrail connectors (E) using screws (I) and Washer (K) & Lock Washer(J)



<p><b>J Lock Washer 28PCS</b></p> 
<p><b>K Washer 28PCS</b></p> 