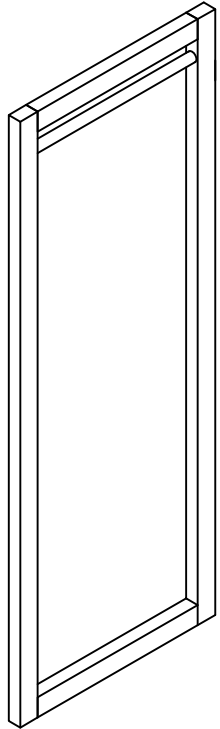
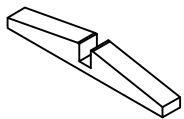


FRMRCKNT28 & FRMRCKWT28 INSTRUCTION

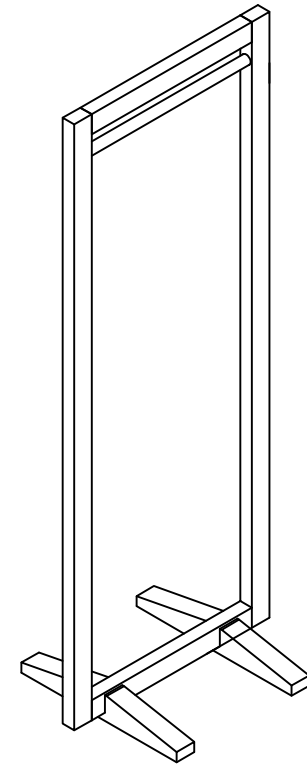
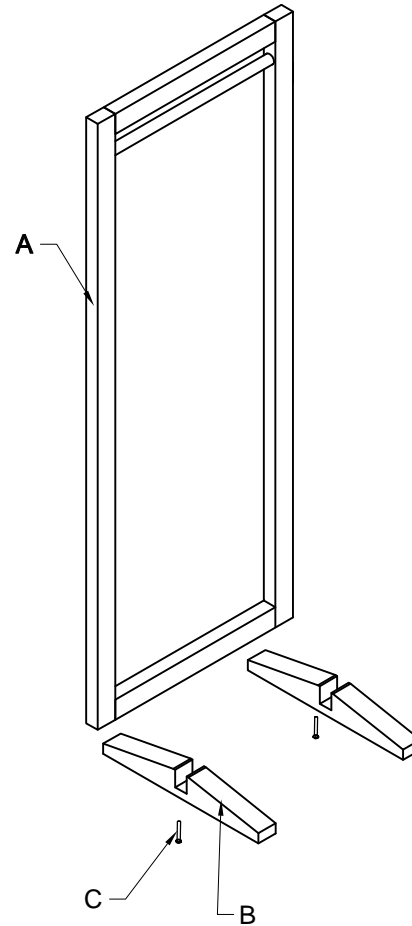
A Wooden Frame 1PC



B Base 2PCS



C Phillips Head Screws 2PCS



Step 1: Insert the wooden frame (A) into the slits of the 2 bases (B)

Step 2: Make sure the pre-drilled holes are lined up and fasten using the screws (C)