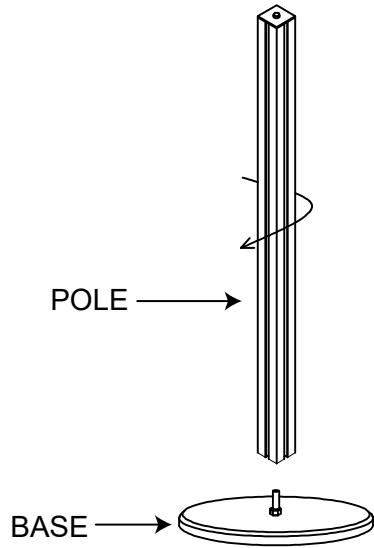
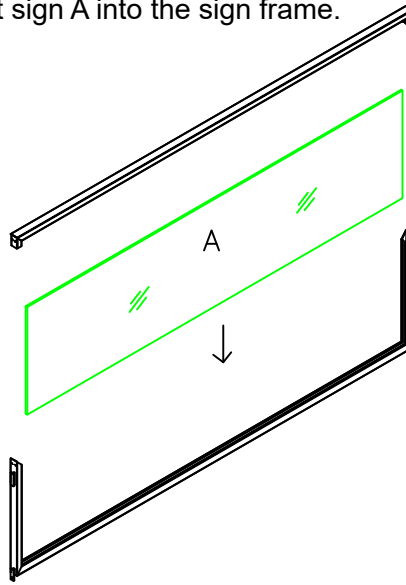


ASSEMBLY INSTRUCTIONS - QUEUE SIGNAGE PANEL

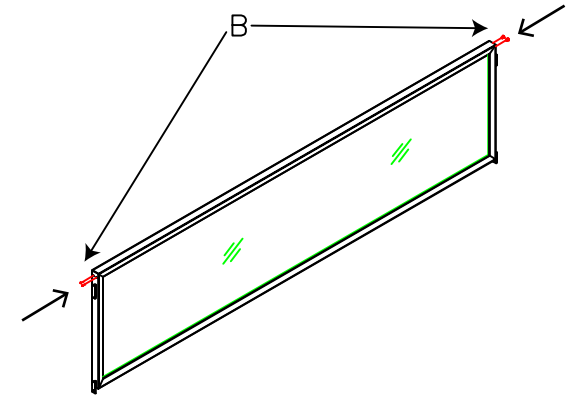
1. Screw the pole onto the base by hand.



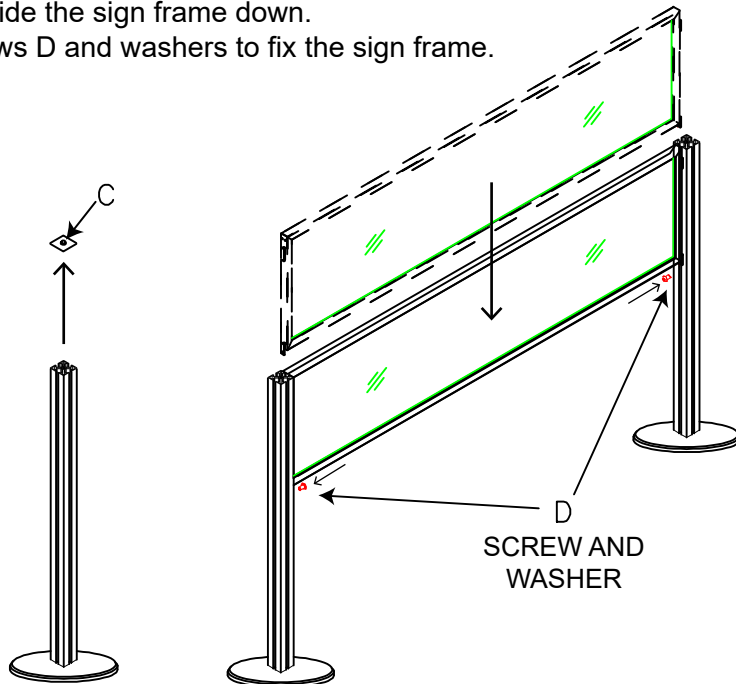
2. Insert sign A into the sign frame.



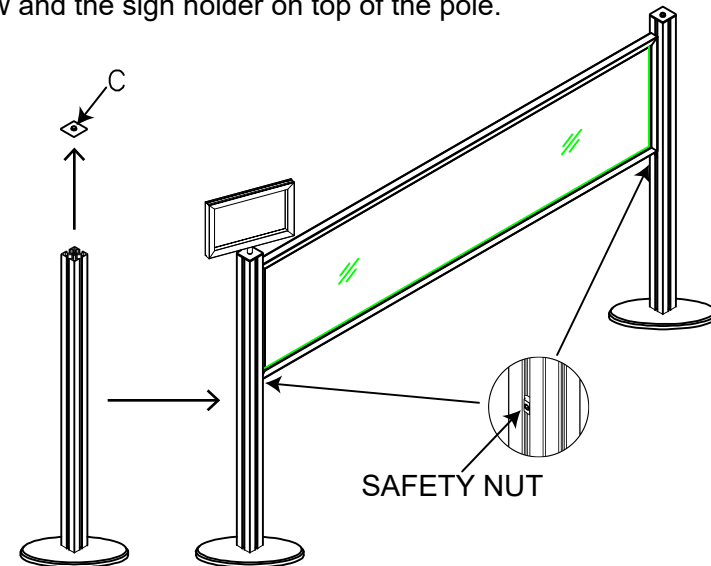
3. Tighten Screw B on both sides.



4. Screw out the plastic cap C to remove the metal plate on top of the pole. Insert the side tabs of the assembled sign frame into T-slots in both poles and slowly slide the sign frame down. Tighten screws D and washers to fix the sign frame.



5. Slide the safety nut inside the T-slot up against the bottom of the sign frame and tighten the nut to secure the sign frame at its place. To install the small sign holder, screw out plastic cap C, then tighten the screw and the sign holder on top of the pole.



If you have any questions regarding our products, please visit us at www.displays2go.com or contact D2G customer service 844-221-3388.