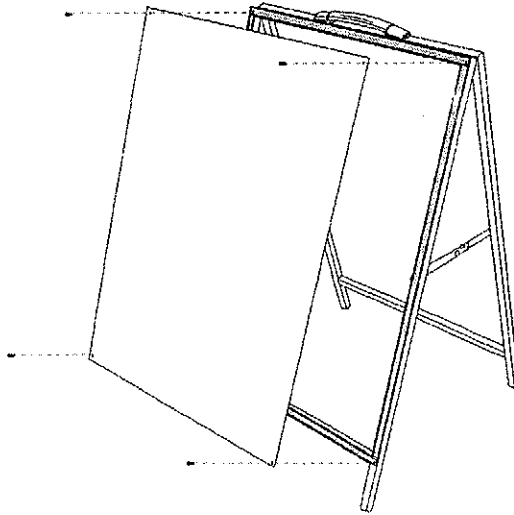


SKU: ERSBD2435

Double-Sided A-frame Graphic Addition Instructions



1: Removing Panel

Using a phillips head screwdriver, remove the screws at each corner of the panel(s) you wish to have printed.

2: Applying Graphics

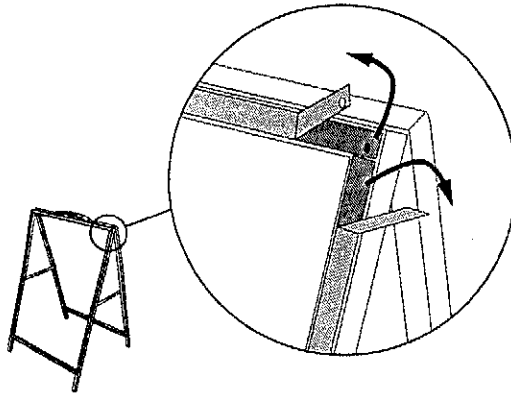
Once panel(s) have been removed bring them to a graphics shop to have either (a) vinyl lettering and graphics applied or (b) have your graphics printed on via UV flat bed printer.



(a) have your local sign shop add vinyl graphics and lettering



(b) have your local sign shop add photo quality artwork to your sign using a UV flat bed printer



3: Removing Adhesive Backer From Frame Tape

Once your graphics are complete and you are ready to mount your signage onto the A-frame, remove the film from the VHB tape that is pre-installed on the frame as shown.

4: Return Panel(s) to Frame and Attach

Carefully place your graphics panel squarely on to the frame making sure to align holes in corners. Screw to secure your graphic in place. Press firmly along the edge to adhere panel to tape.

