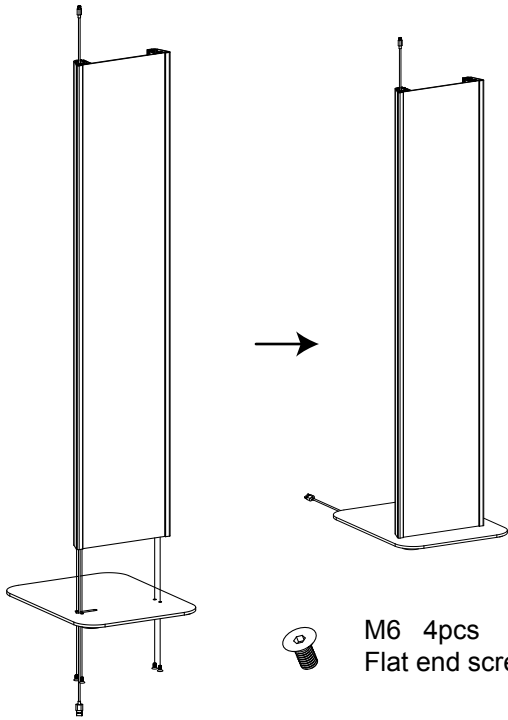


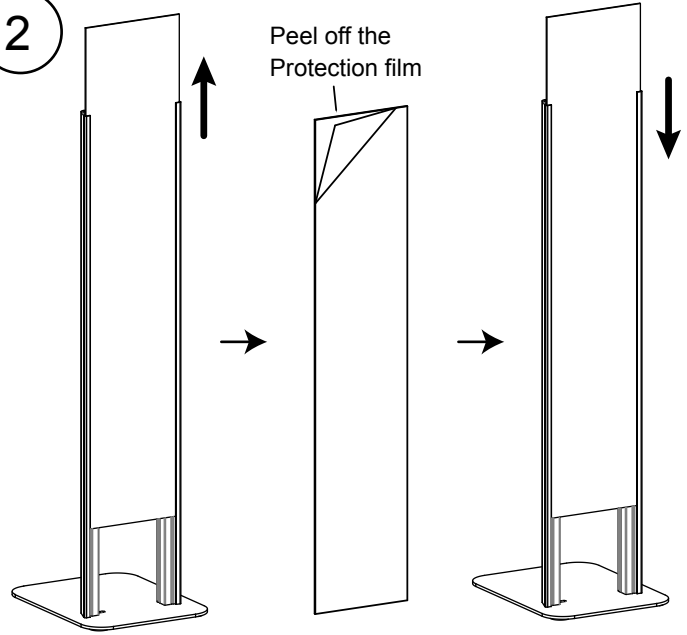
Installation Manual

1



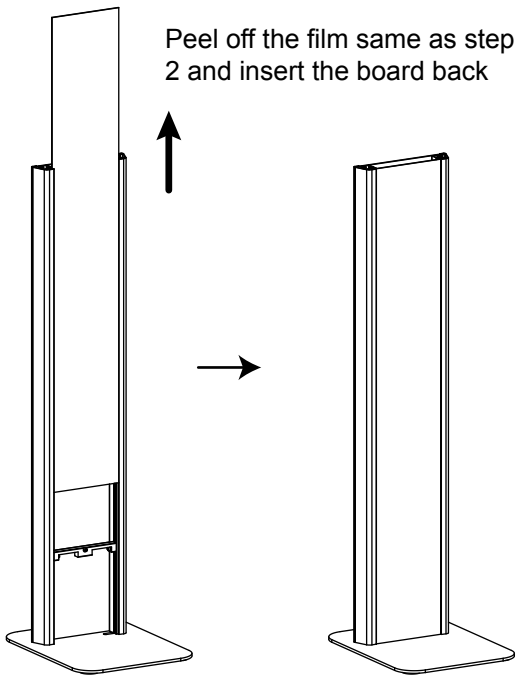
M6 4pcs
Flat end screws

2



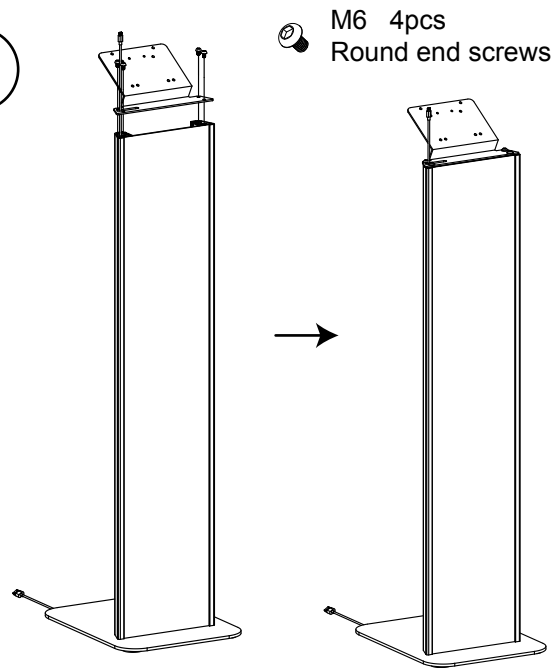
Peel off the
Protection film

3



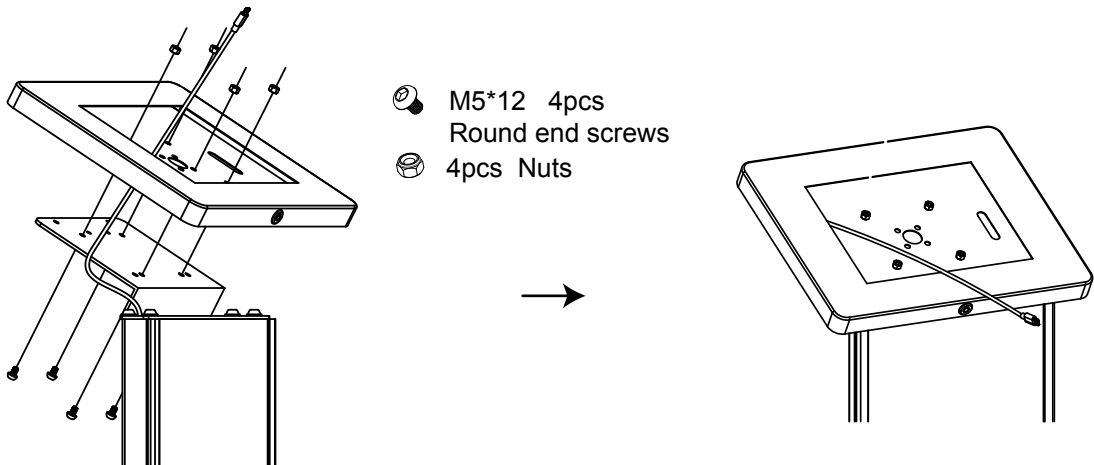
Peel off the film same as step
2 and insert the board back

4



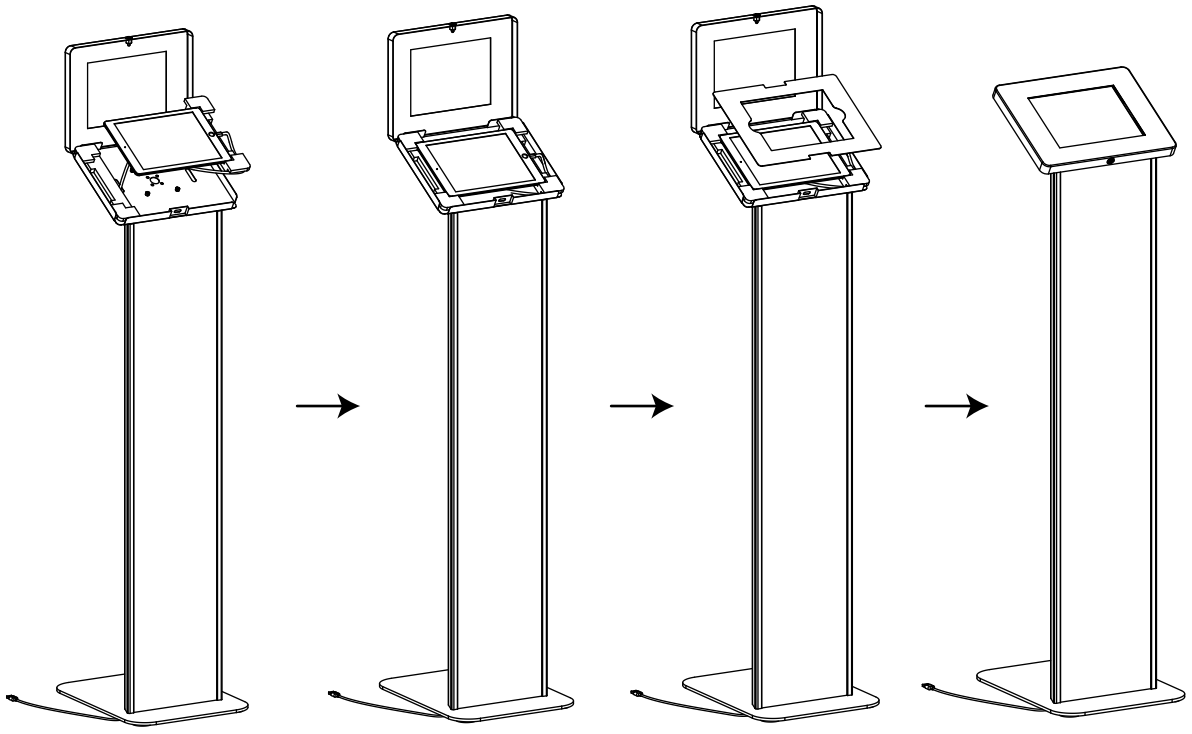
M6 4pcs
Round end screws

5



M5*12 4pcs
Round end screws
4pcs Nuts

5



6

