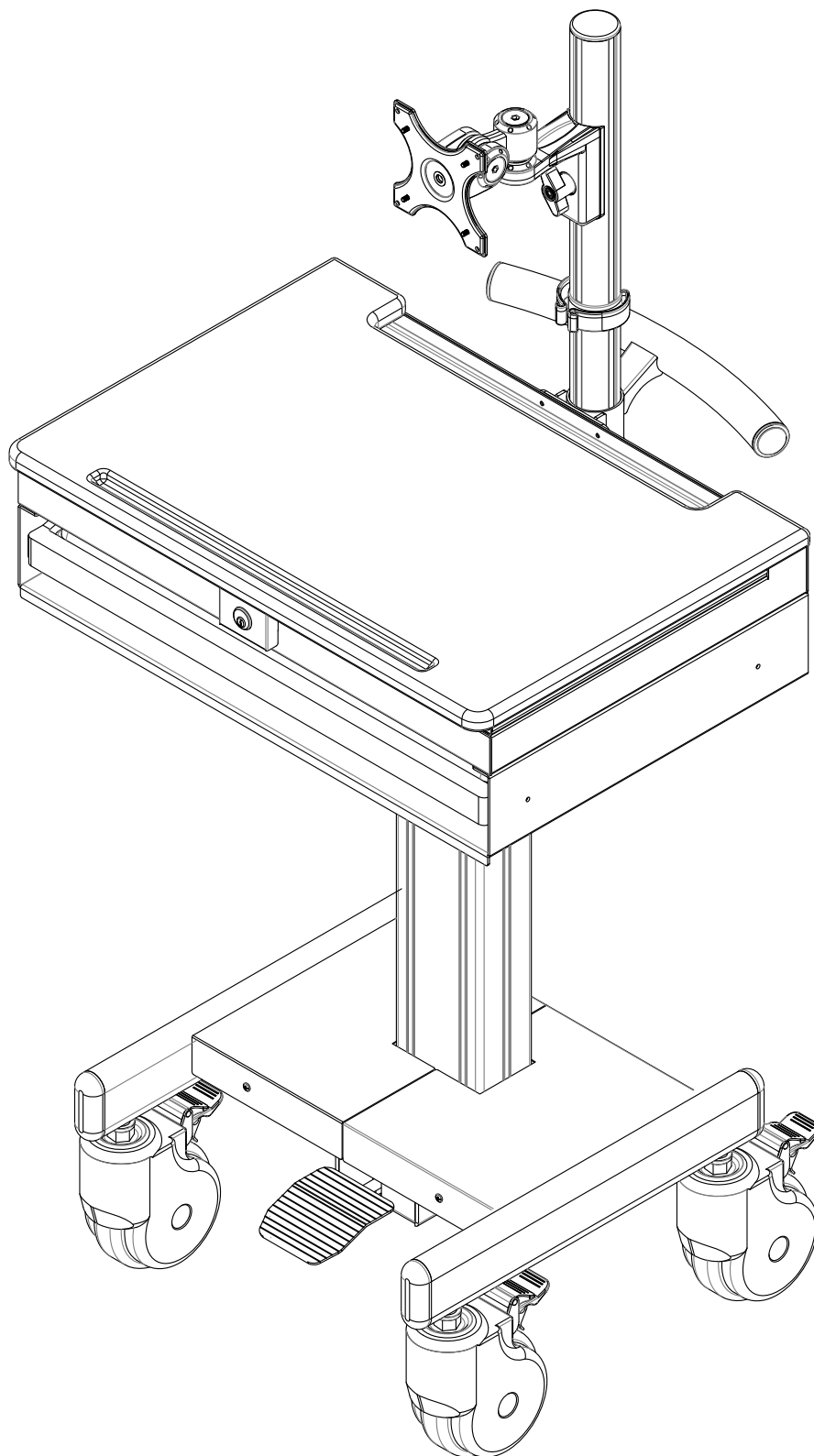
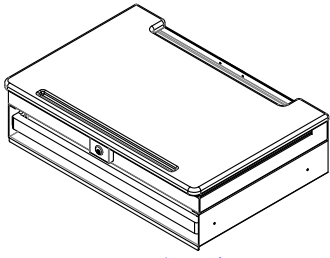


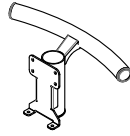
Weight Capacity: 2~7 Kg



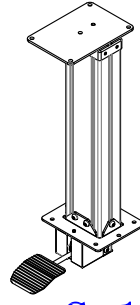
Part List:



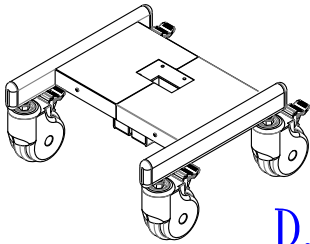
A. 1pc



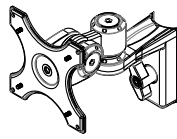
B. 1pc



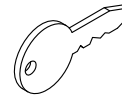
C. 1pc



D. 1pc



E. 1pc



F. key 2pcs



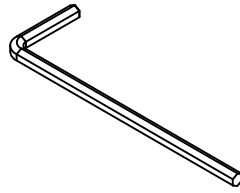
G. 1pc



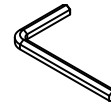
H. 1pc



I. 1pc



J. M6 wrench 1pc



K. M5 wrench 1pc



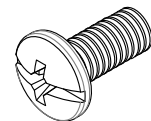
L. 3pcs



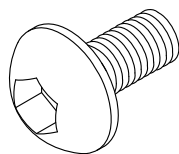
M. M4x10 4pcs



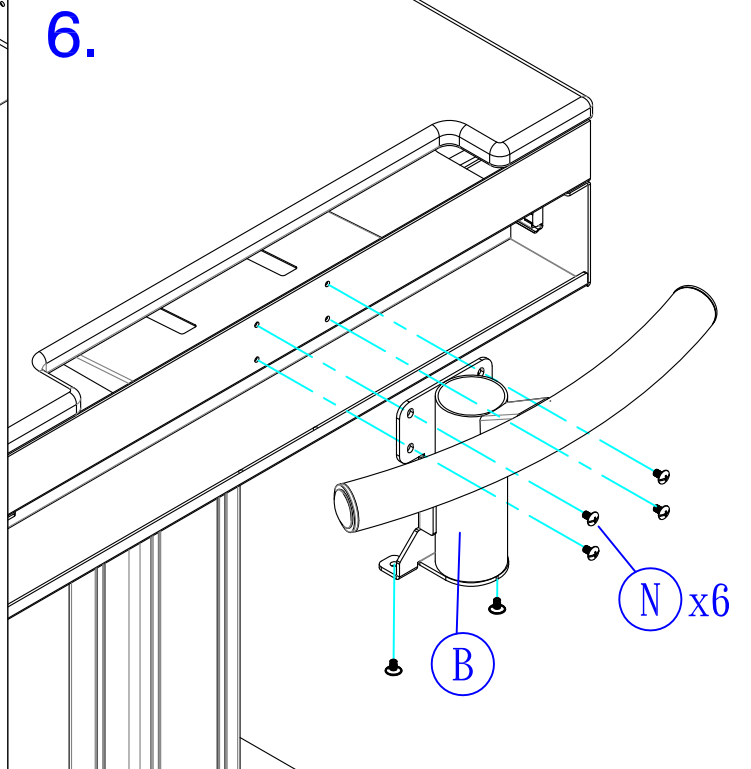
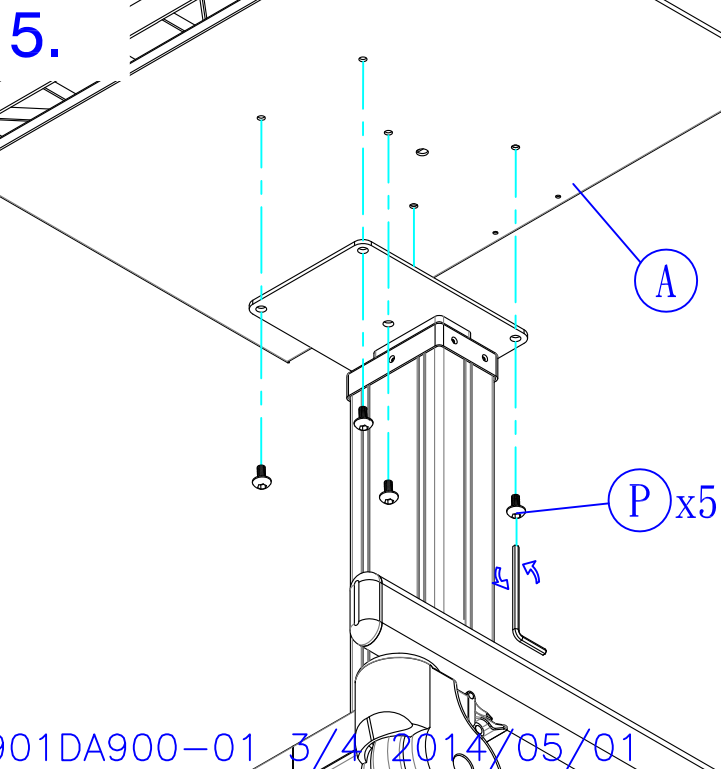
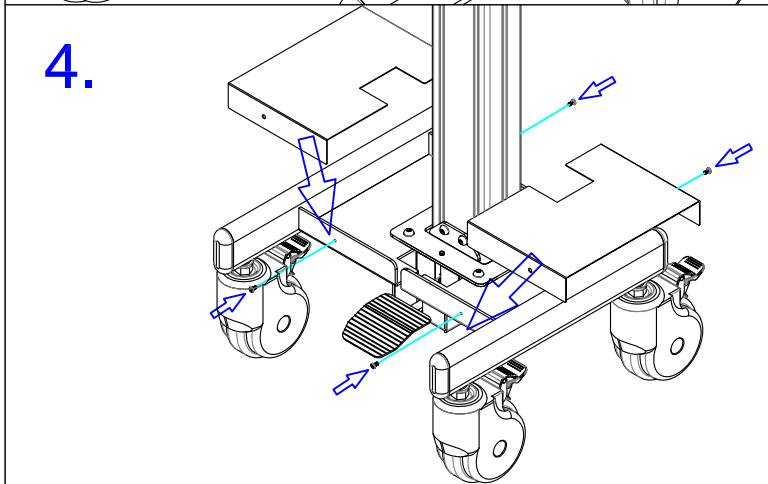
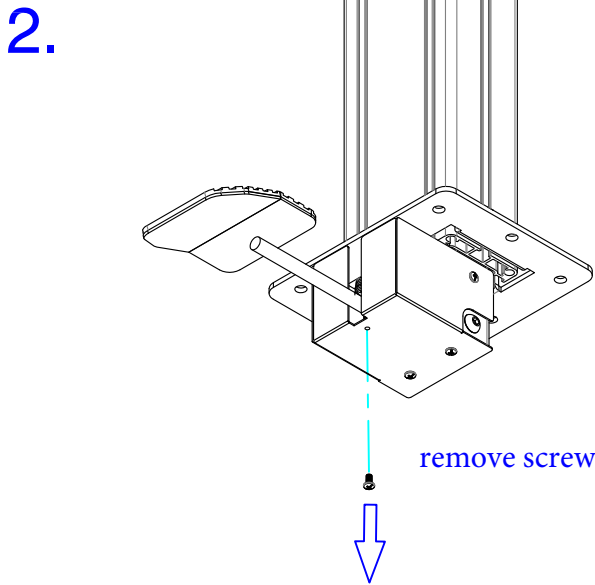
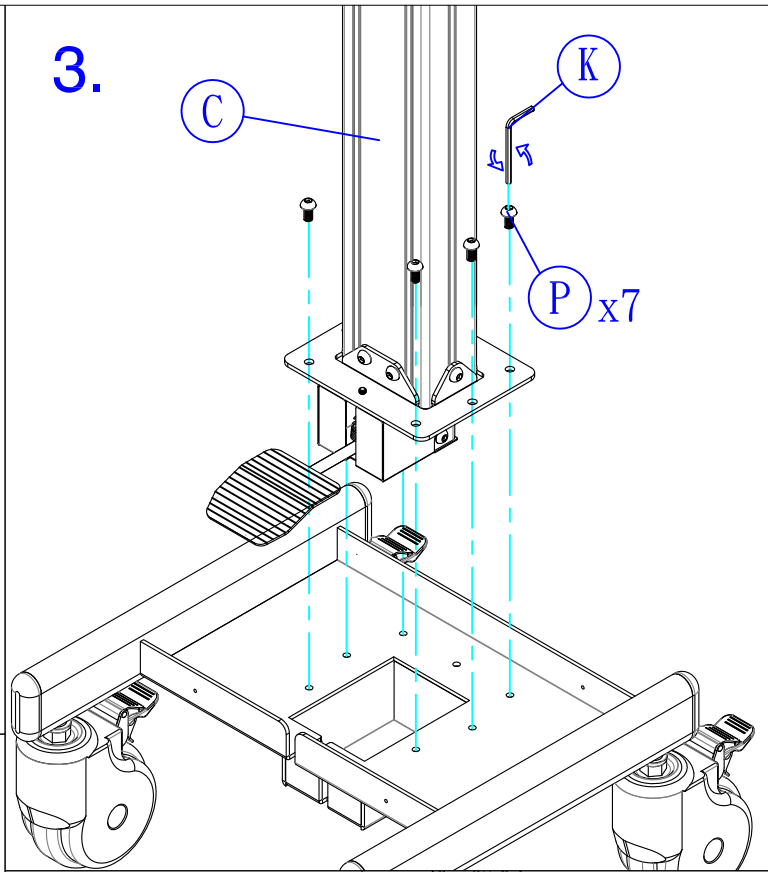
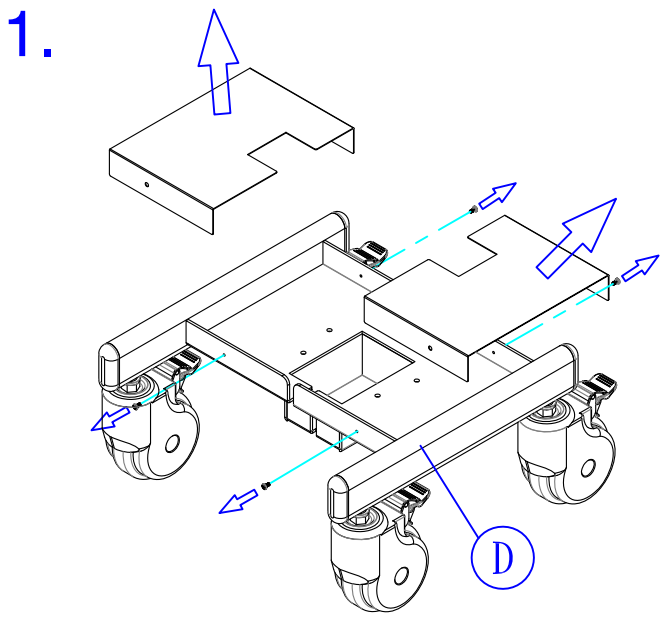
N. M5x8 6pcs



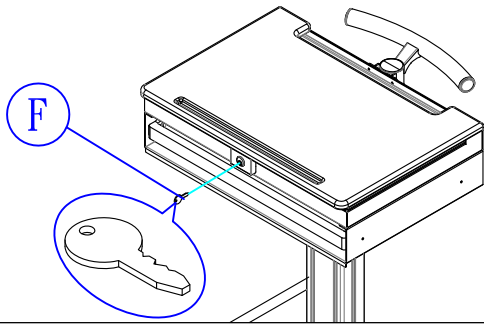
O. M6x12 4pcs



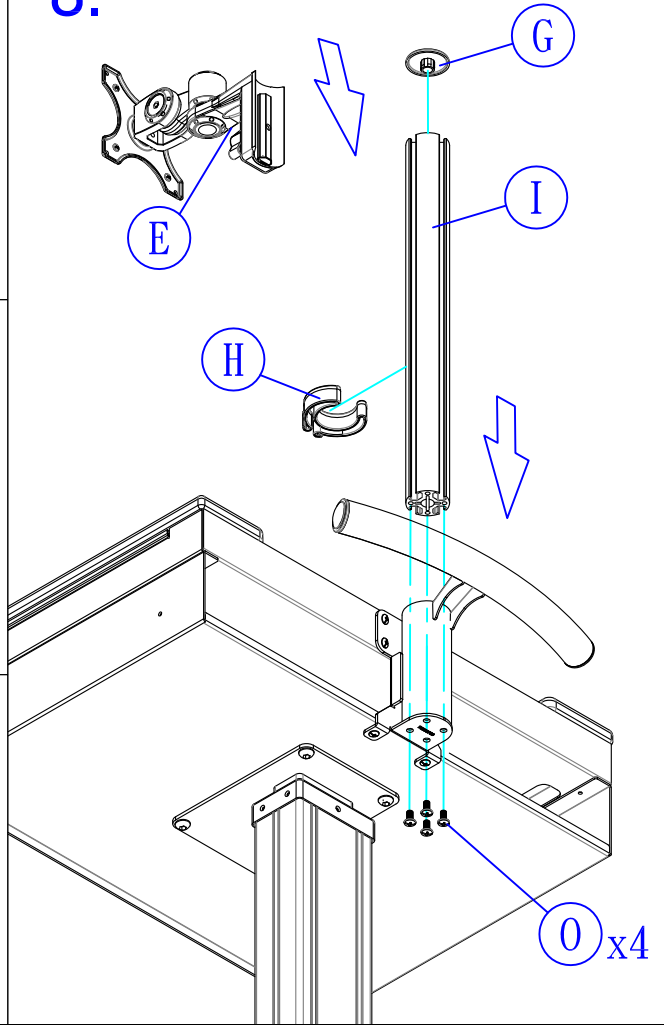
P. M8x12 12pcs



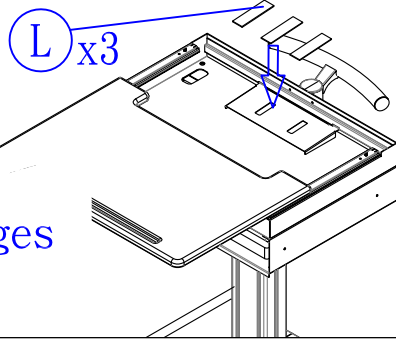
7.



8.

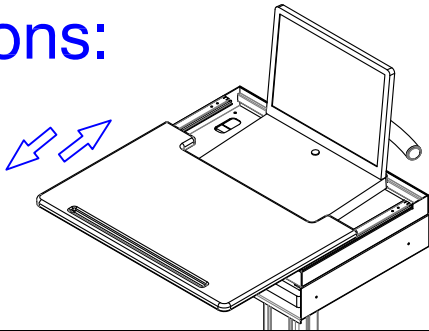


Options:



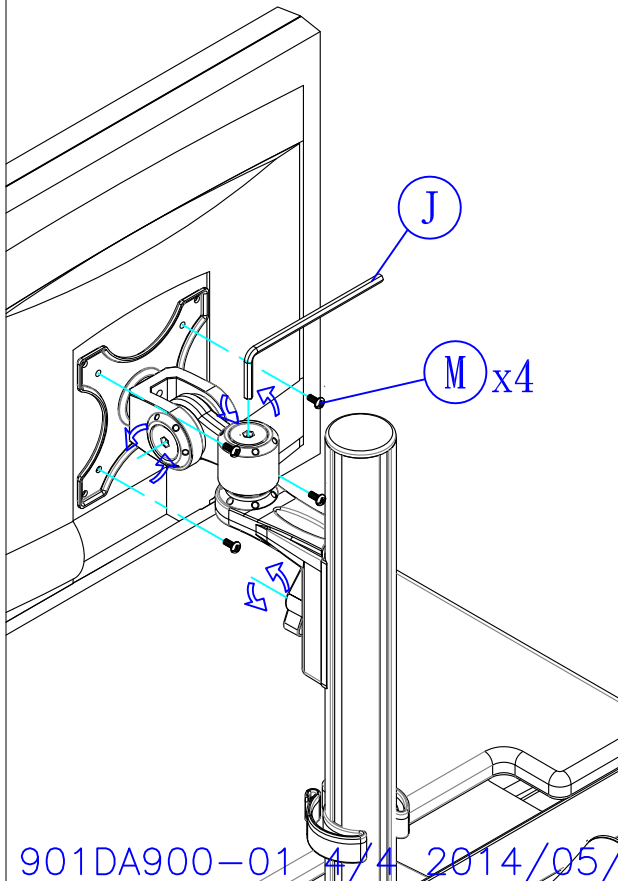
Open the table and paste sponges if necessary

Options:



9.

Adjust torque if necessary



10.

Push the tread to adjust height if necessary

