

DSIGN82BK

Printing and Mounting Instructions

1. Print templates for the film are available online at:

- a. www.displays2go.com - On the Home Page, type DSIGN82BK into the "key phrase or sku" box to access.
- b. www.signstandoffs.com - On the Home Page, type DSIGN82BK into the "search" or "sku" box to access.

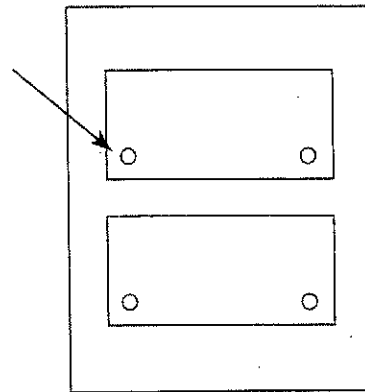
The templates are available for download in Word, Illustrator, and Photoshop formats.

(Note: The pre-diecut films are for use in color or B&W photocopiers and laser printers only, not inkjet printers.)

2. Each unit comes with (3) printable Frosted sheet films and (2) white paper board backers. Print on the Frosted sheet film only. After adding your custom designs, we strongly recommend you print a test of your design on plain paper first. By placing the die-cut film over this test print you will be able to see if everything looks correct. This allows for fine tuning the design before printing onto the supplied film.

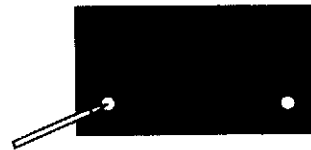
3. Just before printing onto the film, remove any diecut circles still attached to the sheet to prevent them from getting stuck inside your printer.

Print your finalized design onto the film using a color or B&W laser printer or photocopier. Select the correct media type and always print at 100%. Carefully separate the square from the sheet at the perforations. Fold each edge back and forth several times until the edges break apart. Do not rush this process.

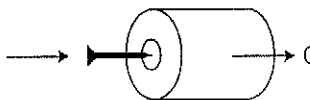


Now you are ready to mount the directory sign assembly to the wall.

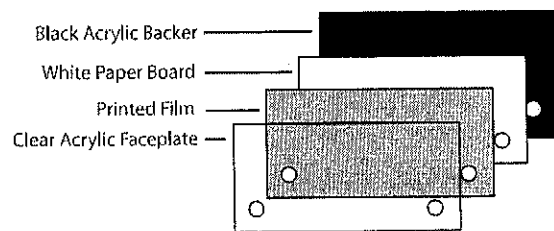
4. Hold the black acrylic sign panel at the desired location on the door or wall and make sure it's level. Pencil in the hole locations onto the wall. Drill 1/8" pilot holes in the center of each hole for the screws and if your wall is hollow insert the wall anchors.



5. Using the included mounting screws, mount the standoff barrels to the wall.



6. Sandwich your printed design between the two acrylic sheets in the order specified at right.



7. Place the sign assembly onto the standoffs and hand-tighten the caps into the barrels.

