

Assembly Instructions

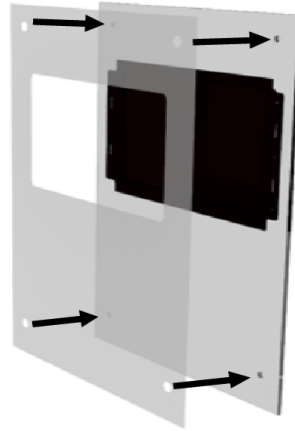
PEDLED ATTACHMENT SERIES

DISPLAYS2GO

Peel protective film from acrylic

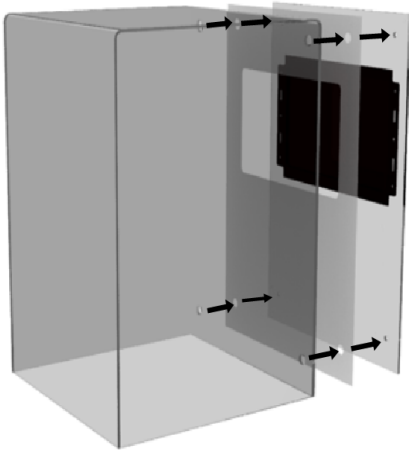
Place .020 Lens on top of Acrylic panel with screen and align four holes.

1



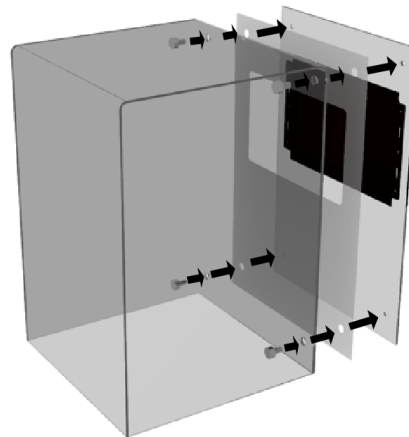
Next align Acrylic and .020 lens with display case holes to sandwich the artwork between acrylic panel and display case.

2

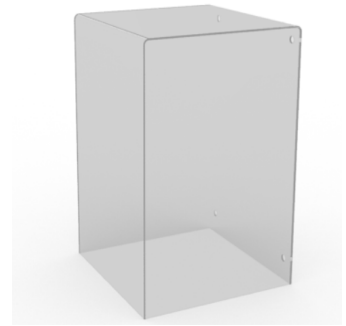


3

After all pieces are aligned. Using your hand screw the standoffs in from the inside of the display case.



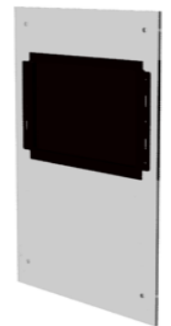
Display Case



.020 Lens



Acrylic



Standoffs



x4