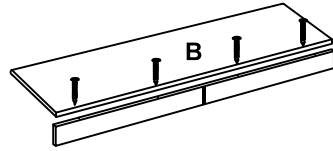
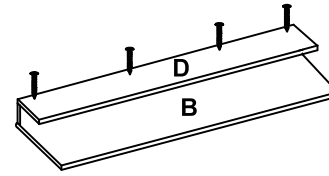


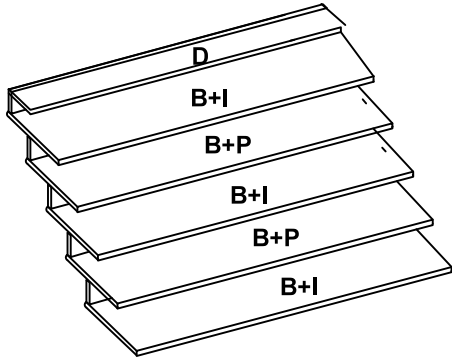
USing No.2 screws to fix the B panel and P panel
Total 2 parts



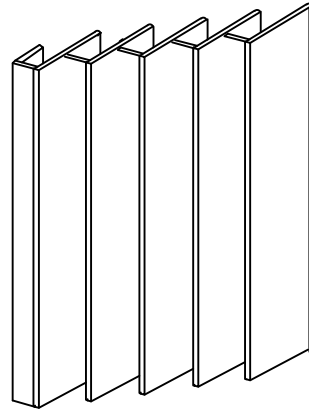
USing No.2 screws to fix the B panel and I panel
Total 3 parts



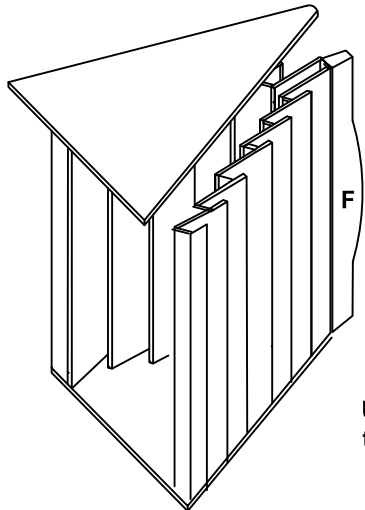
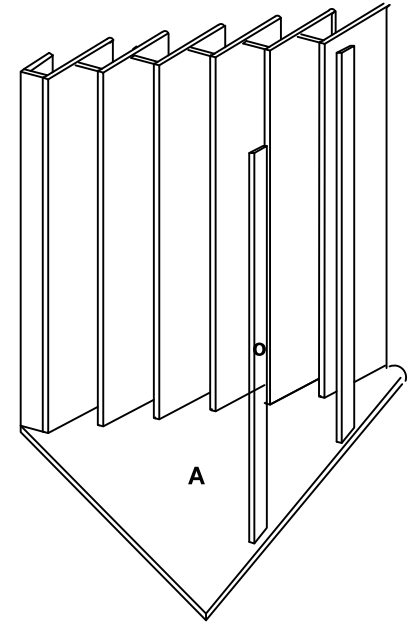
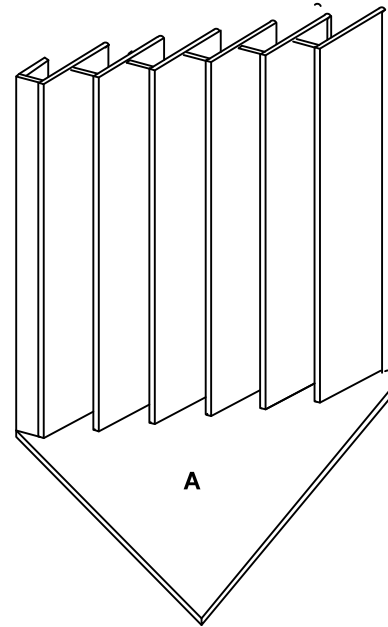
USing No.2 screws to fix the BC panel and D panel
Total 2 parts



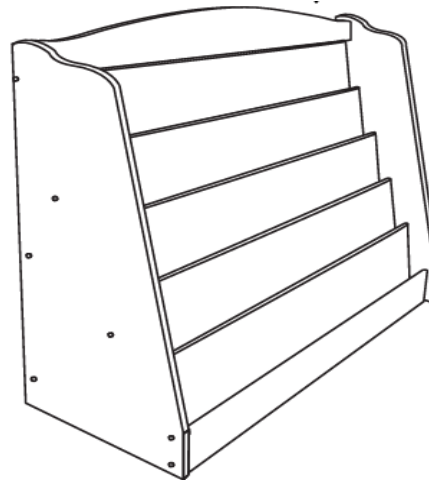
USing No.2 screws to fix them together
Total 2 pcs


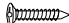
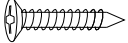


USing No.1 dowels to fix



USing No.3 screws to fix them together



PART		
1		12pcs
2		80pcs
3		18pcs
4	Wheels	4 pcs