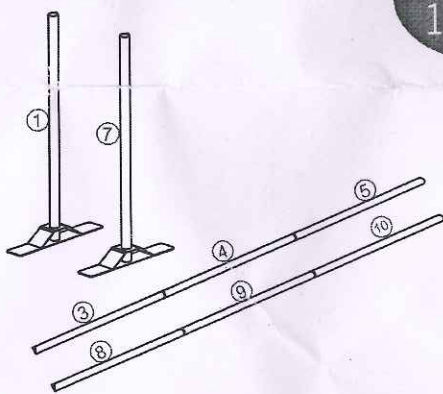
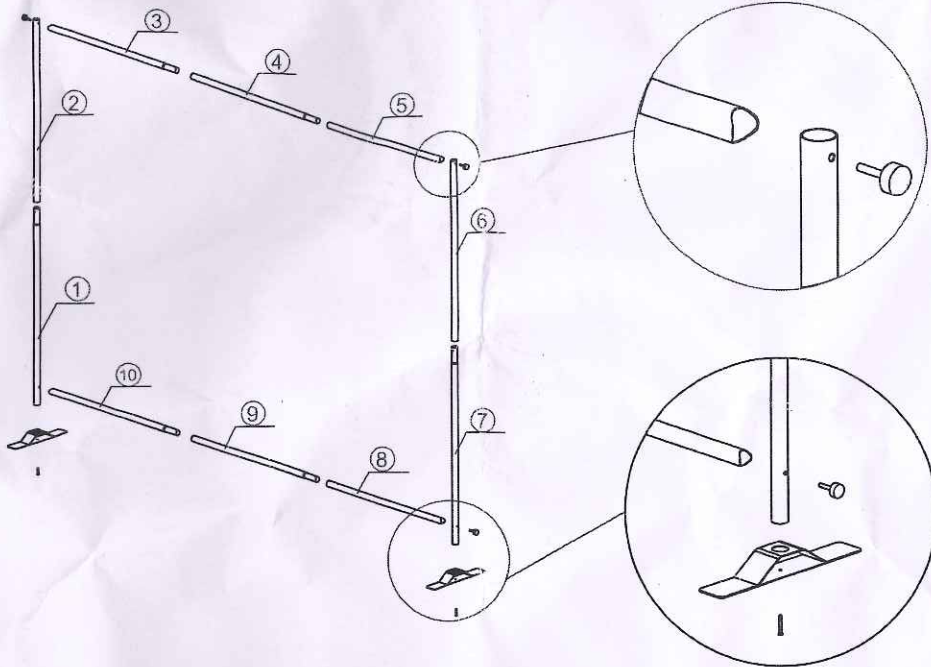
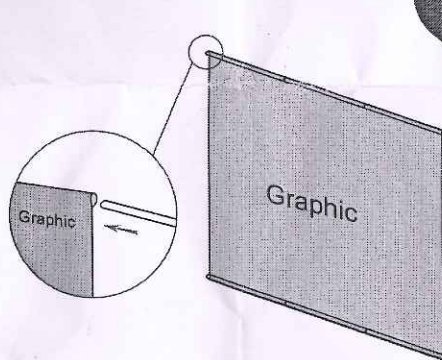


INSTALLATION INSTRUCTIONS

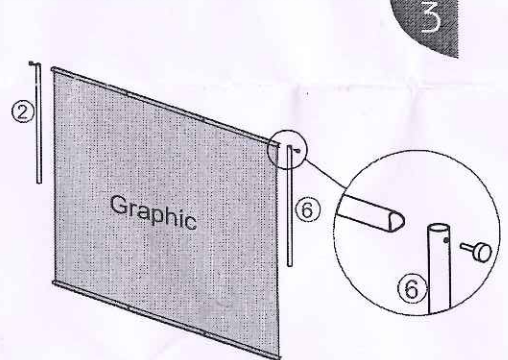
DRAPERY DISPLAY



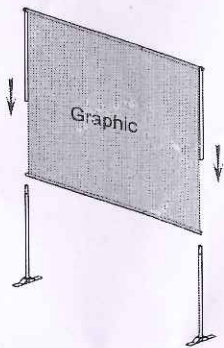
1 Put the vertical pipe into base, and fix the screws on the bottom; Connect the 2 group horizontal pipe as the instruction



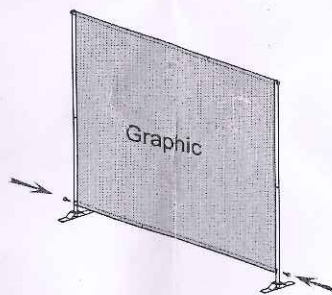
2 Put the each group horizontal pipe into the top and bottom of the graphic



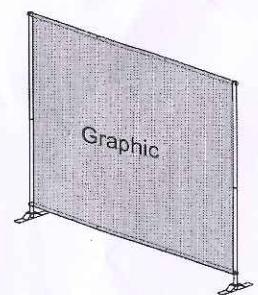
3 Connect upper vertical pipe of backwall to graphic, fix the screw



4 Assblem the upper and bottom vertical pipe of backwall together



5 Fix screw of bottom horizontal pipe with bottom vertical pipe of backwall



6 The installation is complete

*Creative change
the world*