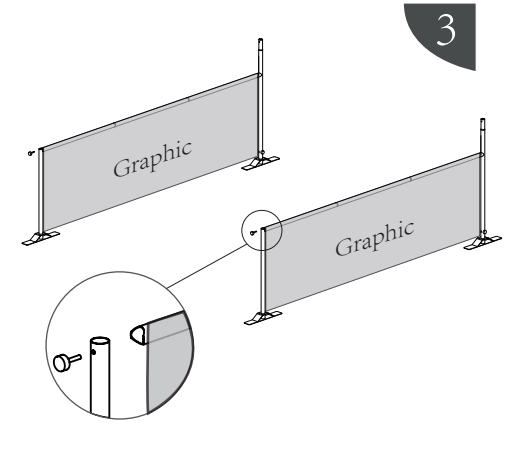
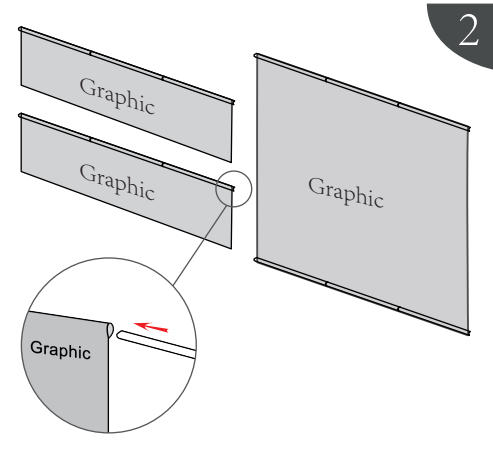
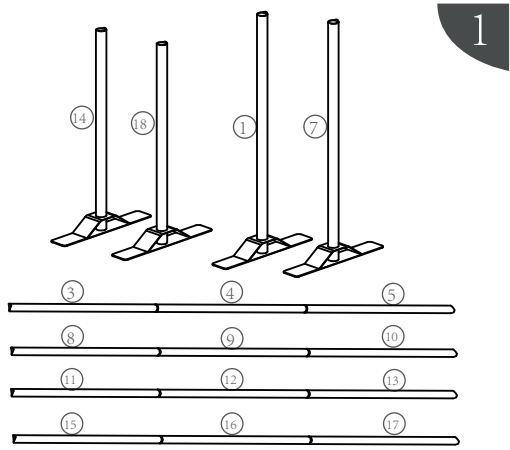
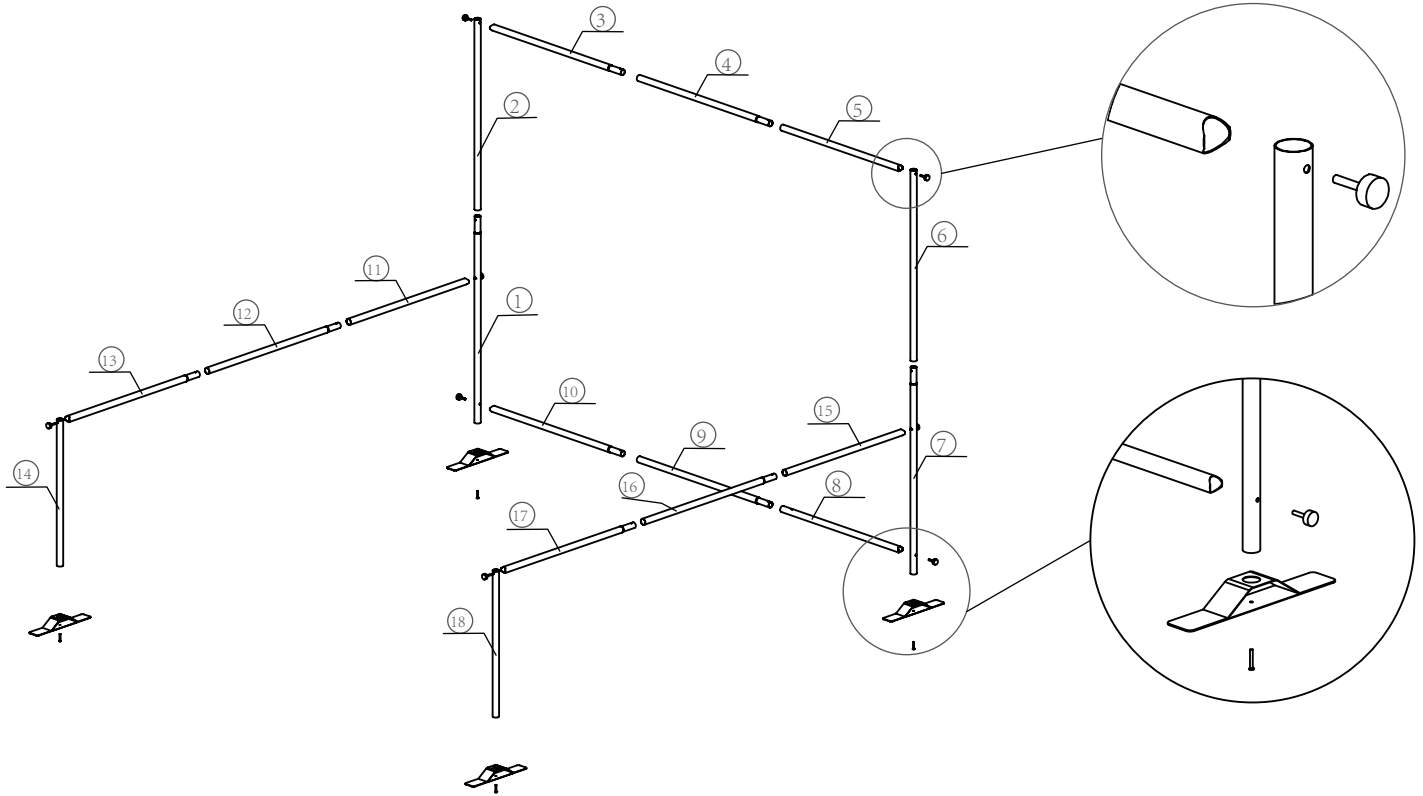


INSTALLATION INSTRUCTIONS

DRAPERY DISPLAY

DISPLAYS2GO

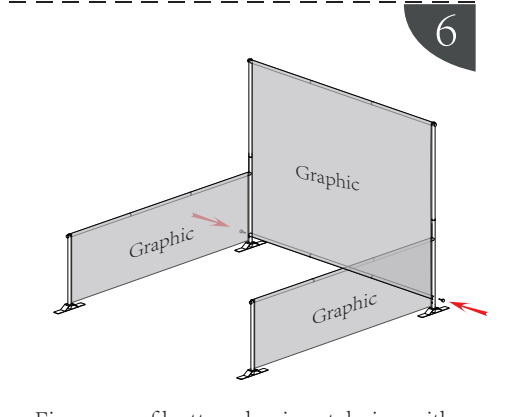
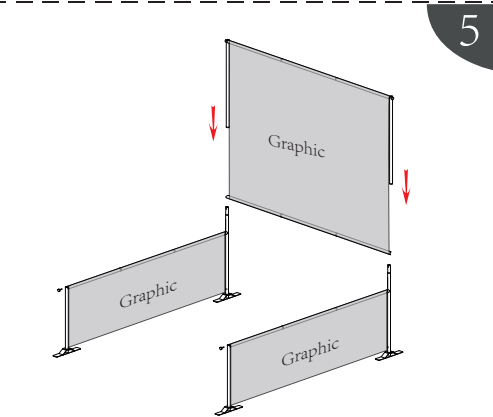
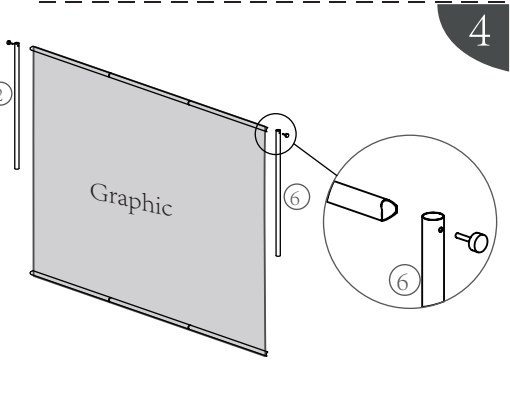
D10STRFGBS



Put the vertical pipe into base, and fix the screws on the bottom; Connect the 4 group horizontal pipe as the instruction

Put the each group horizontal pipe into the top and bottom of the graphic

Connect vertical pipe to horizontal pipe of halfwall graphic, fix the screw



Connect upper vertical pipe of backwall to graphic, fix the screw

Assblem the upper and bottom vertical pipe of backwall together

Fix screw of bottom horizontal pipe with bottom vertical pipe of backwall