

PROCNTVLCR Portable Counter Assembly Instructions



Remove the components from the included carrying bag. The kit should include 3 wooden counter pieces, aluminum legs, a black fabric attachment, and one long piece of aluminum siding.



Start by attaching the legs to the wooden base; the base will be the piece with rubber feet on the bottom. Screw the legs into the holes in the base. On each leg, you will see a piece of plastic that is designed to support the inside shelf. You can attach the legs so this shelf is placed closer to the top or bottom. Below you will also see a picture of the support brace which holds the legs together and keeps the display stable.



Slide the middle shelf over the legs as shown above. There are holes in the shelf to line up with the legs.



Next, unwrap the piece of aluminum siding.



Insert the aluminum siding into the track in the base and wrap it around the display. Make sure the aluminum sits securely in the track or the top counter will not attach correctly.



Attach the top counter by lining up the aluminum siding with the track in the wood. The holes in the top counter should line up with the legs. Screw the legs into the top counter as shown above right.



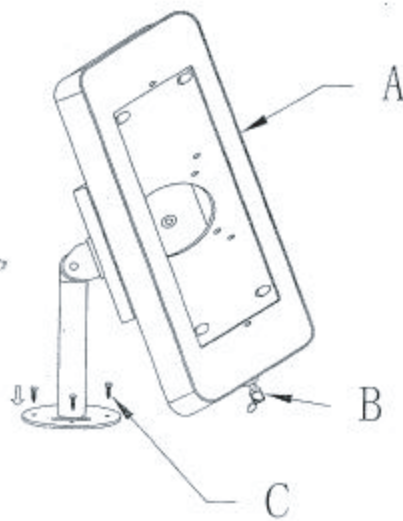
Attach the piece of Velcro receptive fabric. There are Velcro strips applied to the aluminum siding to hold the fabric in place. Accessorize your counter with signs, posters, literature pockets, and more.



IPAD-03

Mounting Options

①



②

