

CNTPUVLBLK Assembly Instructions

Remove the contents from the backpack. The kit should include a pop up frame, magnetic channel bars, 4 Velcro® fabric panels, two MDF shelves, and an MDF folding countertop.



Raise the pop up frame from the ground until it's in its fully upright position. Magnetic connectors in the frame will automatically snap-lock the pieces into place.



Once the frame is setup, attach the magnetic channel bars to the magnets on the frame. They are easy to attach and will practically jump from your hand to find their proper position on the frame. Make sure that the channel bars with the magnets on the outside are placed on the outside of the frame. See picture above middle. This is important to hold the Velcro® fabric panels on the sides of the counter display.



Attach the Velcro® fabric panels to the magnetic channel bars. Each panel hangs on a magnetic "locating knob" at the top to ensure alignment. Insert the shelves so that they sit on the inside of the frame, where the bars of the frame cross.

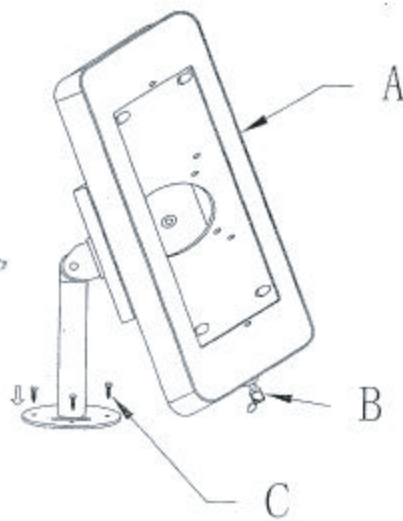


Unfold the countertop and sit it on the top of the frame.

IPAD-03

Mounting Options

①



②

