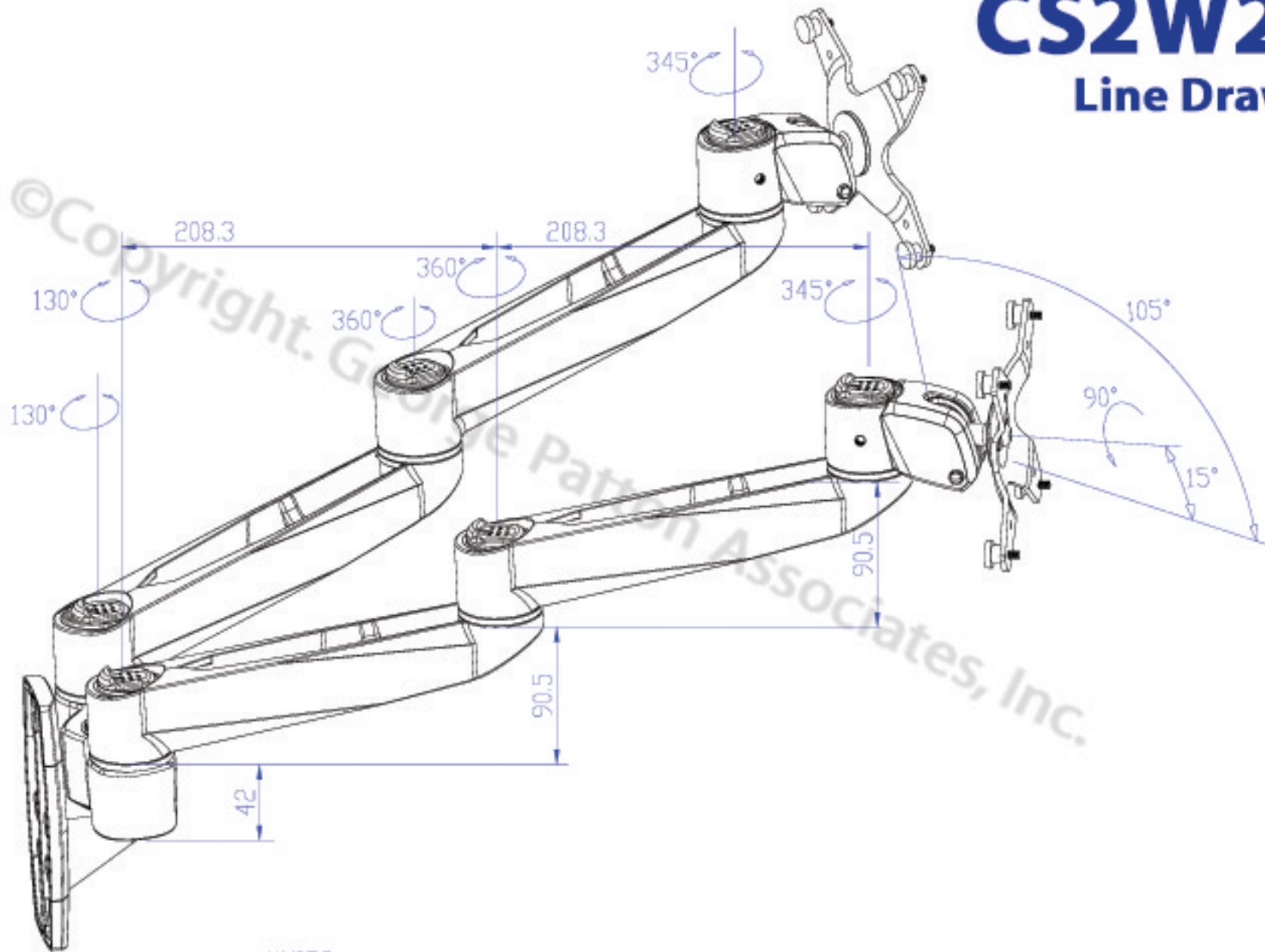


CS2W2A3B

Line Drawing



UNITS: mm

©Copyright. George Patten Associates, Inc.