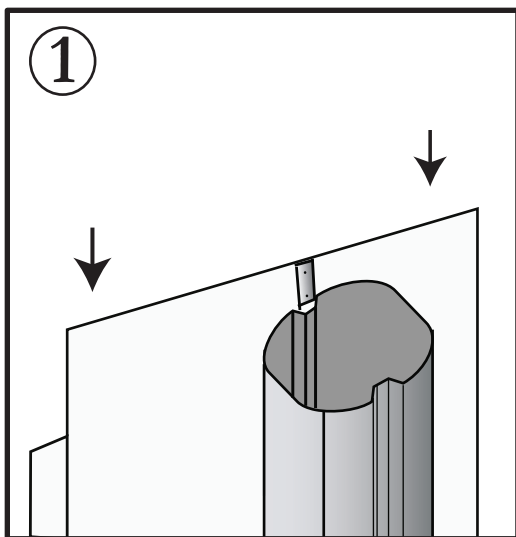


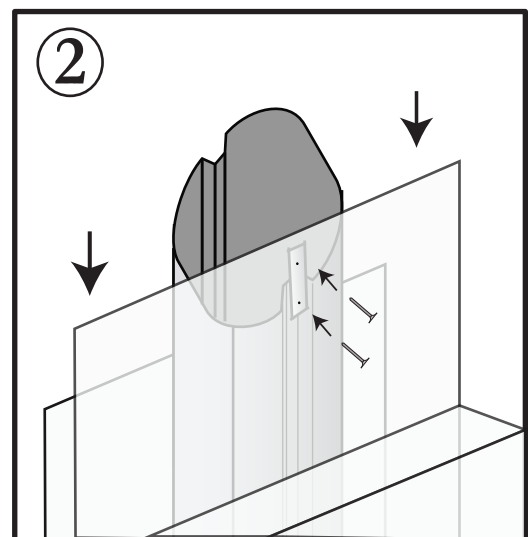
DISPLAYS2GO

CLRLECNW3 & CLRLECNW3B

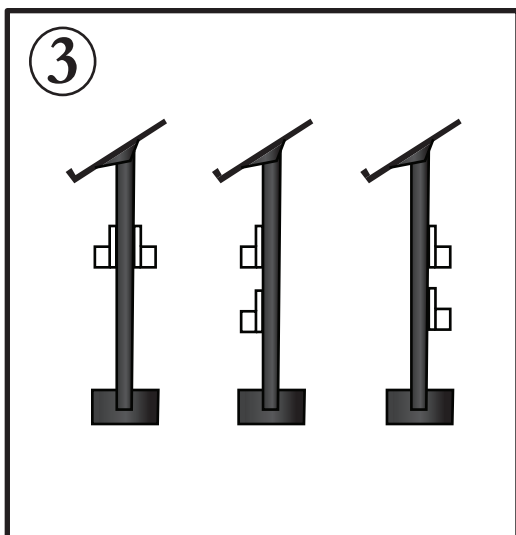
Brochure Holder Installation



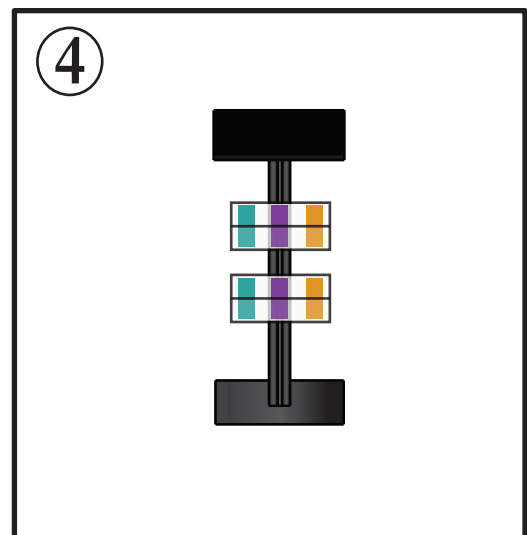
1
Remove the Top of the Lectern and Slide the First Brochure Holder in Post



2
Screw in First Holder at Desired Height and Repeat with Second Holder



3
There are Multiple Ways to Configure the Brochure Pockets for the Best Look



4
Insert Pocket Clips and Brochures, Screw the Top Back in Place and Enjoy!