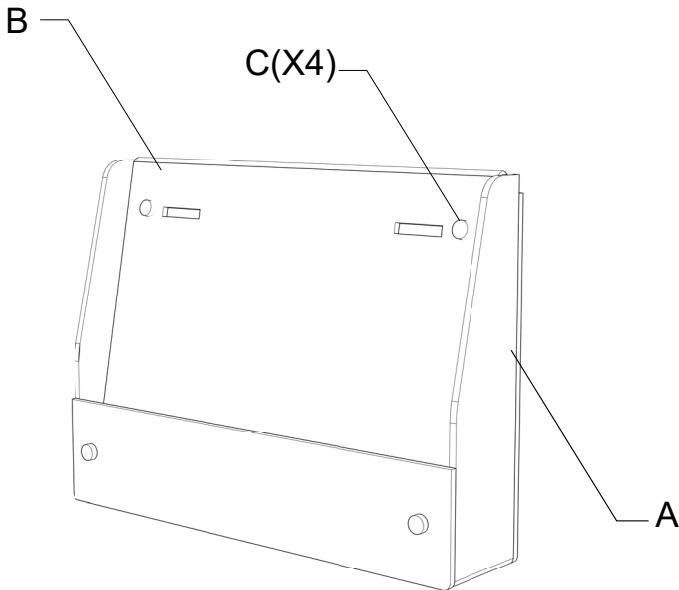


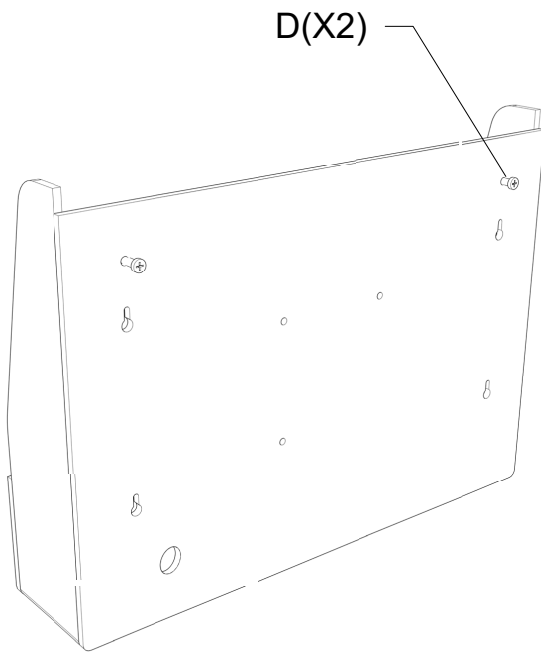
# CHRGSTABK CHRGSTAWH

## How to take out charging shelf

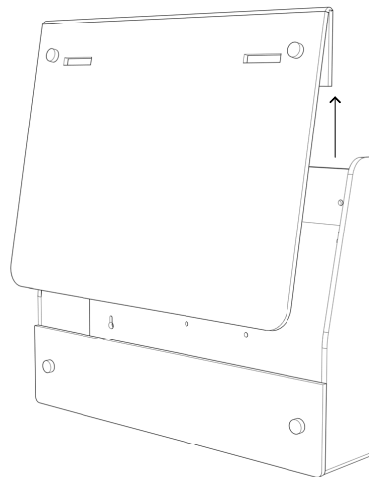
1.



2.



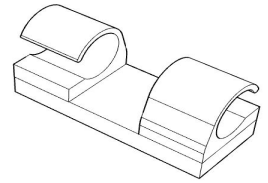
1. USING A STANDARD PHILLIPS SCREW DRIVER UNSCREW BACK SCREWS(D) TO OPEN THE UNIT.



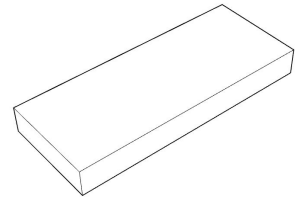
2. LIFT UP ON PANEL TO ACCESS THE CHARGING HUB.

### KEY

- A BODY
- B PANEL
- C STANDOFFS
- D 10-32X.625 SCREWS
- E Charging cables (10)



Wire Management Clips X2



Double Sided Tape For Wire Management X2

If purchased with stand use double sided tape and wire management clips to secure the power cord.

### TOOLS PROVIDED:

ALLEN KEY 1/8"

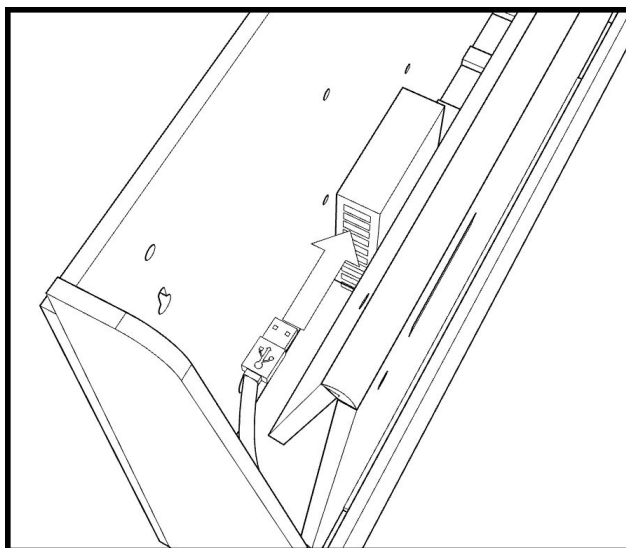
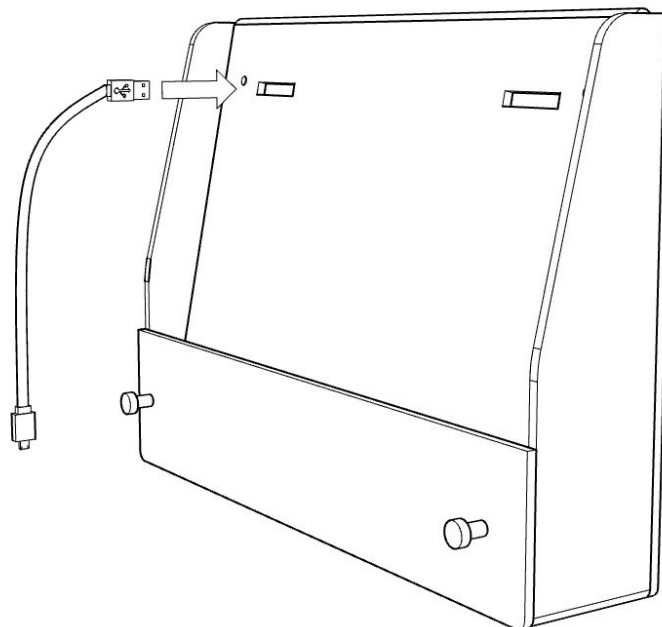
### TOOLS NEEDED:

STANDARD PHILLIPS SCREWDRIVER

# CHRGSTABK CHRGSTAWH ON/OFF Switch & Customers with Artwork

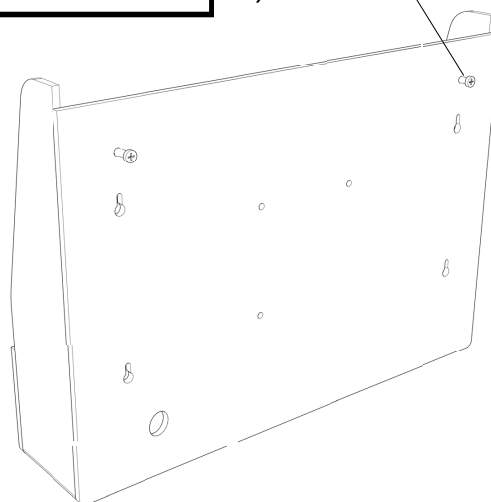
3.

3. Insert charging cables through the side holes of the panel (5 cables per each opening). Start with USB end of the cable and push through the hole. Then plug into the USB port. Continue with other cables.



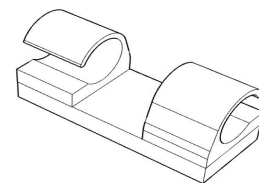
4.

4. Close unit and use screws D to close the units.

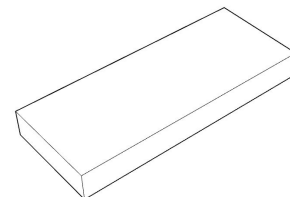


## KEY

- A BODY
- B Panel
- C STANDOFFS
- D 10-32X.625 SCREWS
- E Charging cables (10)



Wire Management Clips X2



Double Sided Tape For Wire Management X2

If purchased with stand use double sided tape and wire management clips to secure the power cord.

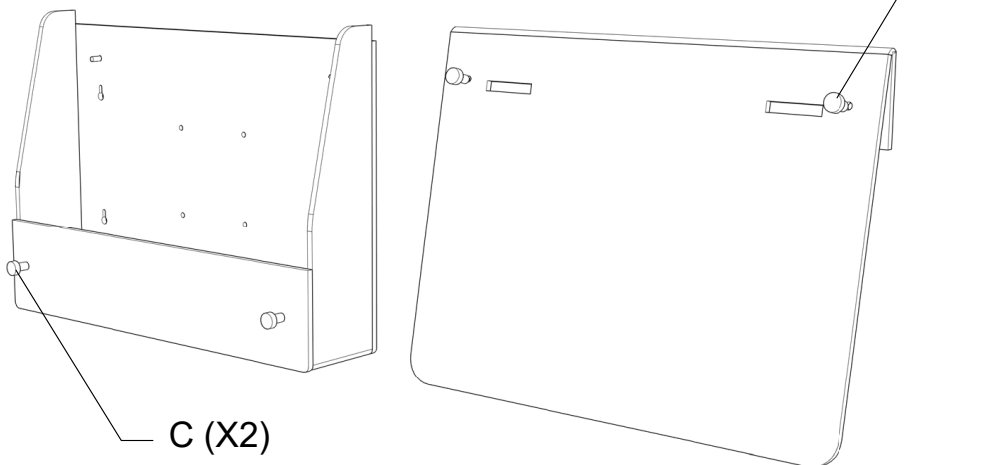
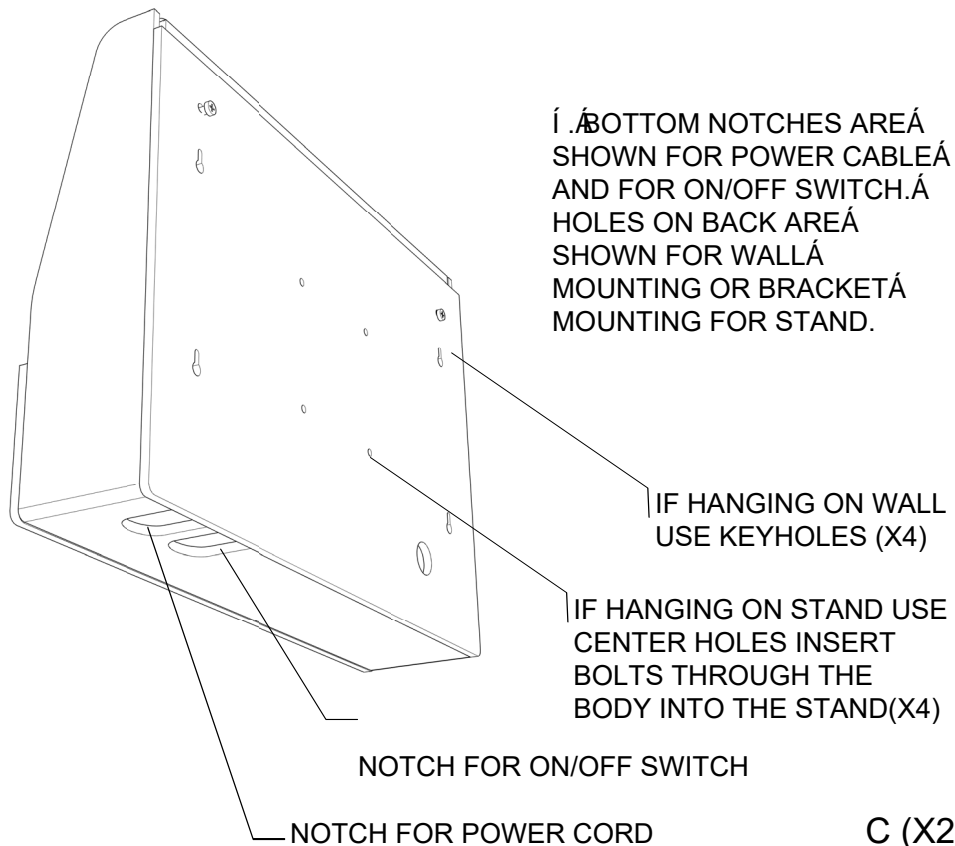
## TOOLS PROVIDED:

ALLEN KEY 1/8"

## TOOLS NEEDED:

STANDARD PHILLIPS  
SCREWDRIVER

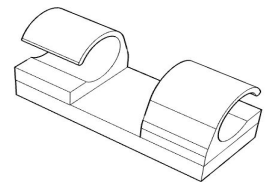
# CHRGSTABK CHRGSTAWH ON/OFF Switch & Customers with Artwork



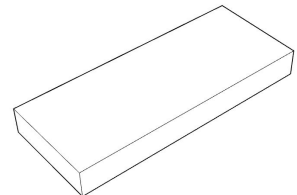
UNSCREW STANDOFFS (C) AND PLACE ARTWORK PANEL ON SHELF OR FRONT FACE OF UNIT. ALIGN HOLES AND SCREW STANDOFFS (C) BACK ON. REFER BACK TO STEP 2 OF PREVIOUS PAGE ON HOW TO INSTALL/ REMOVE SHELF.

## KEY

- A BODY
- B SHELF
- C STANDOFFS
- D 10-32X.625 SCREWS
- E Charging cables (10)



Wire Management Clips X2



Double Sided Tape For Wire Management X2

If purchased with stand use double sided tape and wire management clips to secure the power cord.

## TOOLS PROVIDED:

ALLEN KEY 1/8"

## TOOLS NEEDED:

STANDARD PHILLIPS SCREWDRIVER