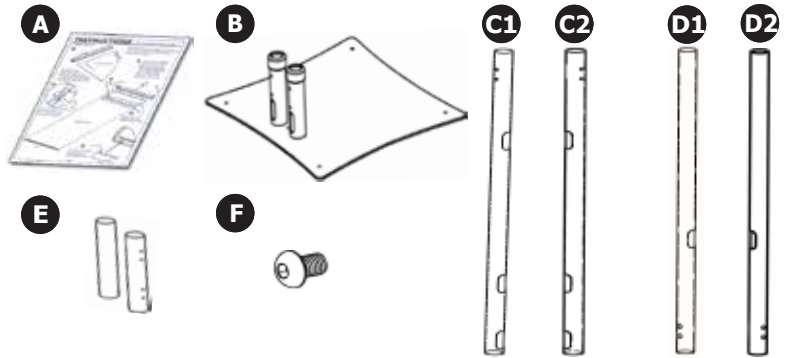


FLAT BASE TV STAND

Parts

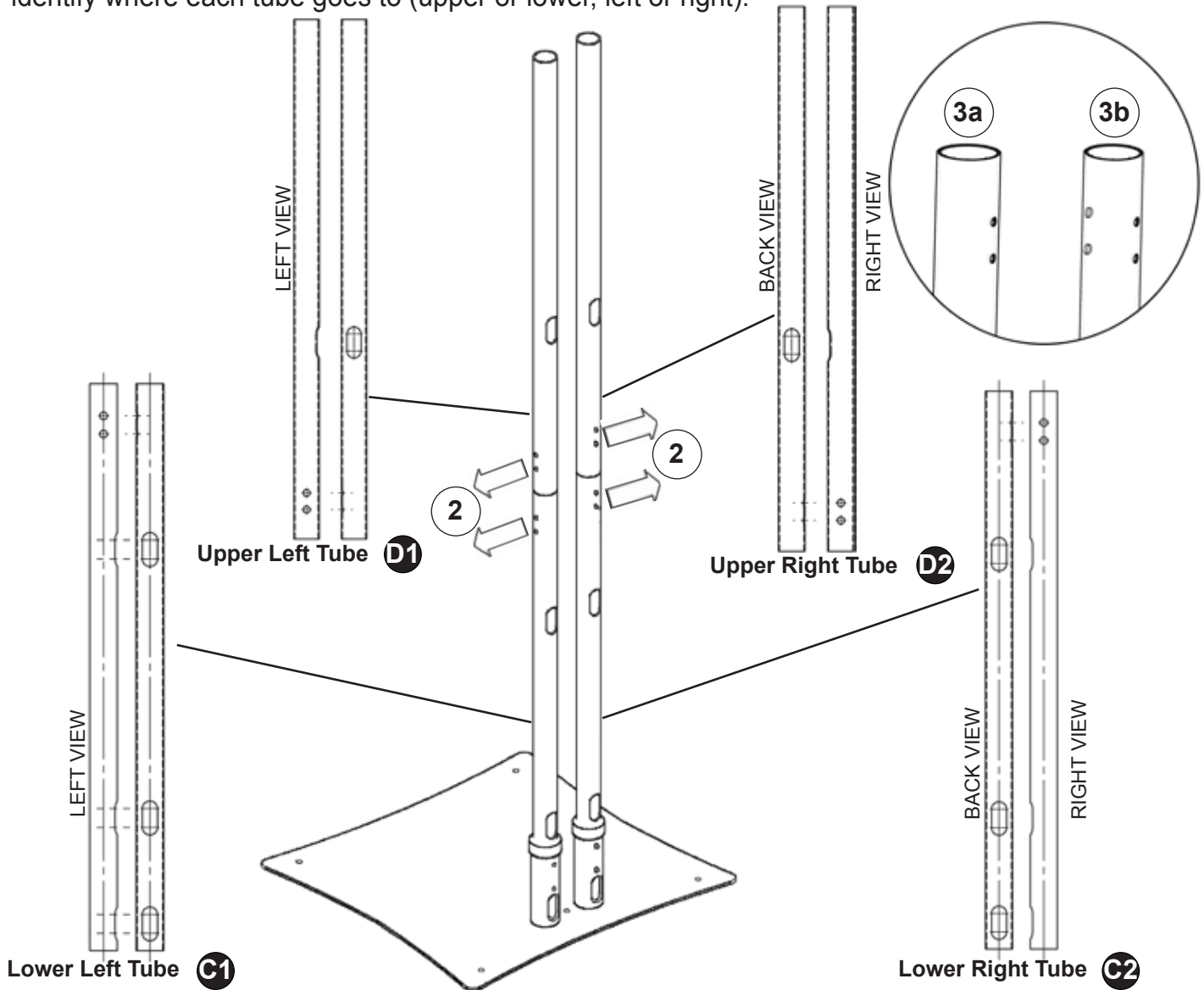
A.	Instructions	1
B.	Metal Base	1
C1.	Lower Round Tube (Left)	1
C2.	Lower Round Tube (Right)	1
D1.	Upper Round Tube (Left)	1
D2.	Upper Round Tube (Right)	1
E.	Tube Connector	2
F.	Pan Head Screw	12



*Hex Key for Part F can be found inside the TV Bracket box (DUOPOLEBK)

PLEASE READ AND UNDERSTAND ALL INSTRUCTIONS BEFORE START THE ASSEMBLING.

1 Open small box, lay out 4 long **Tubes (C1, C2, D1, D2)** on a flat surface. See picture below to identify where each tube goes to (upper or lower, left or right).



CAUTION: 1. METAL BASE IS HEAVY! AT LEAST 2 PEOPLE SHOULD LIFT/MOVE TO PREVENT ANY PHYSICAL INJURY FROM MISHANDLING.

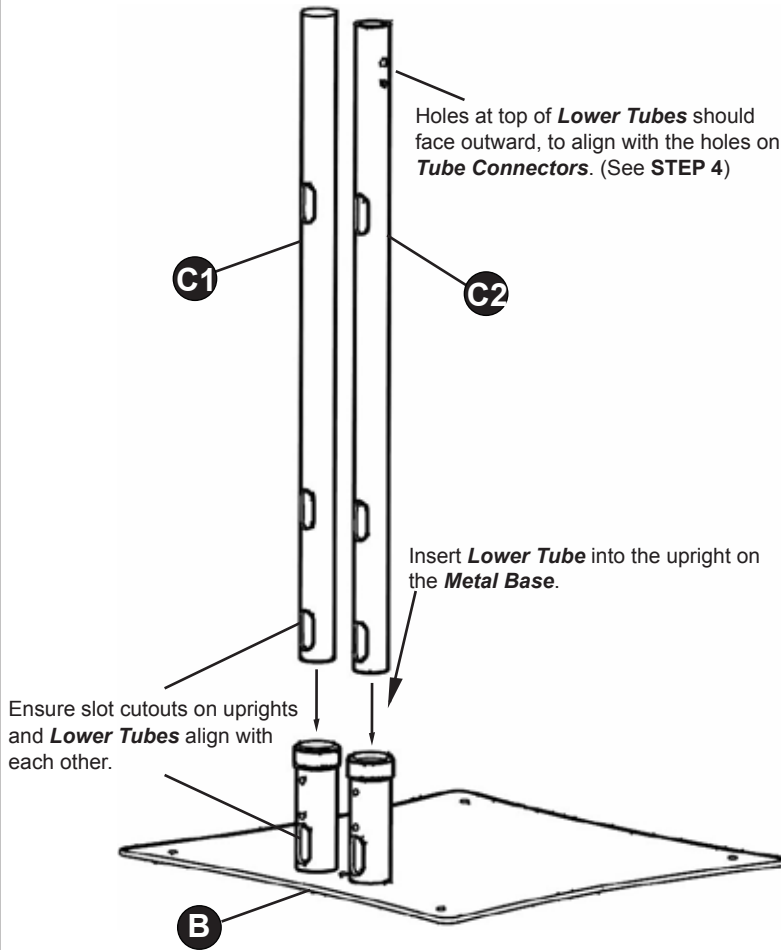


2. ALWAYS PLACE THE UNIT ON A HARD, FLAT SURFACE. DO NOT PLACE THE UNIT IN WHERE IT MAY BE IMPACTED OR MOVED. FAILURE TO DO SO COULD CAUSE SEVERE BODILY INJURY.

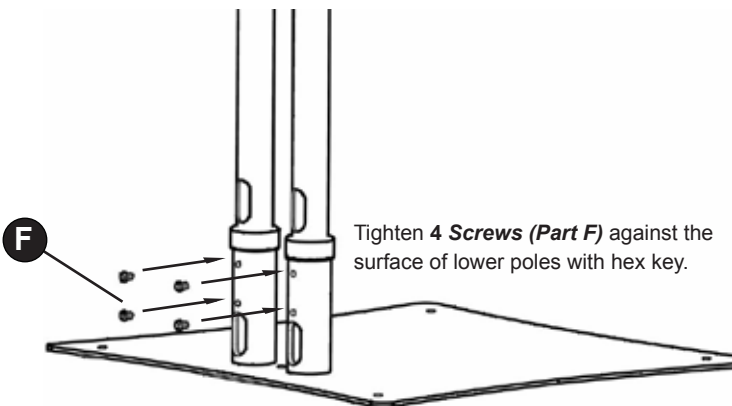
FLAT BASE TV STAND

 **ALL SCREWS MUST BE SECURELY TIGHTENED BEFORE USING TV STAND.**

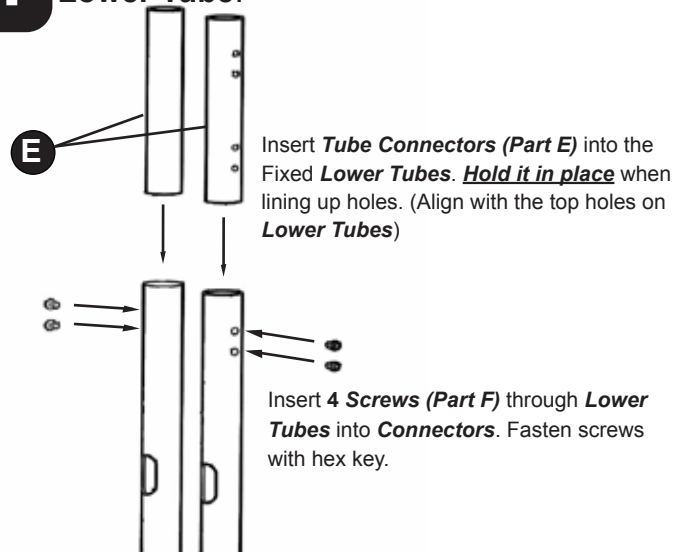
2 Before assembling, remove packing materials. Carefully place the **Metal Base (Part B)** on a hard, flat ground.



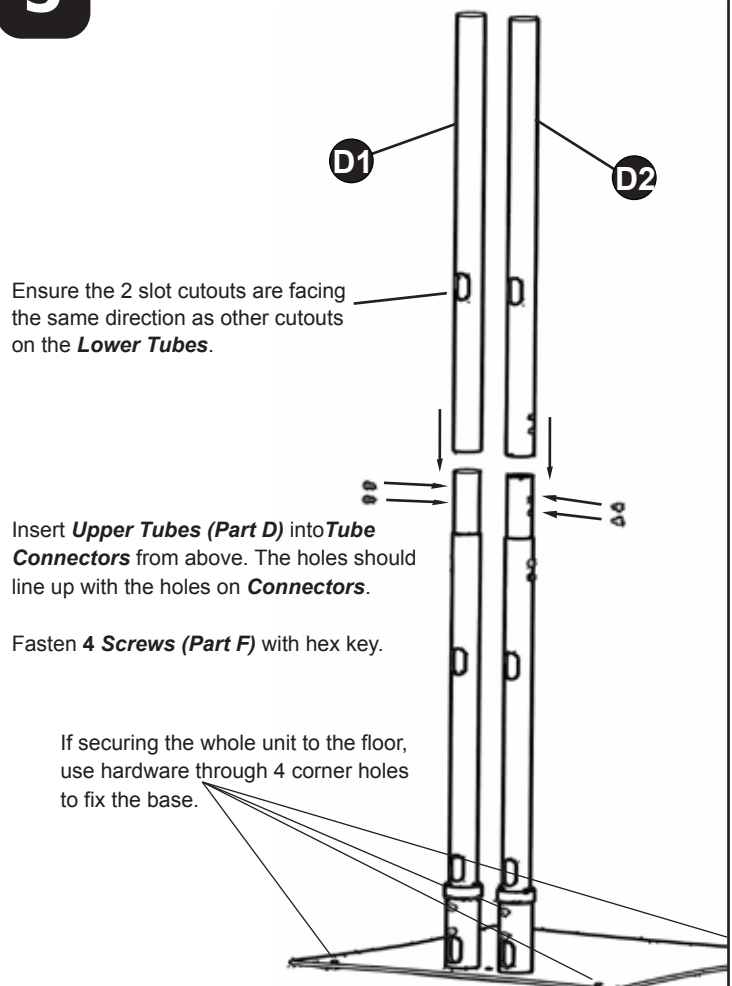
3 Fix **Lower Tubes** by tightening **4 screws** at bottom of the TV Stand.



4 Fix **Tube Connector (Part E)** on top of the **Lower Tube**.



5 Insert **Upper Tubes with Connectors**.



Still have questions? No worries. If you're confused during any step, just call the number located at the bottom of the Instruction pages. Our friendly representative will be more than happy to assist you.

DISPLAYS2GO

FLAT BASE TV STAND

CAUTION: 1. AT LEAST 2 PEOPLE SHOULD LIFT/HANG TVs.

For 2 TVs hanging ONLY

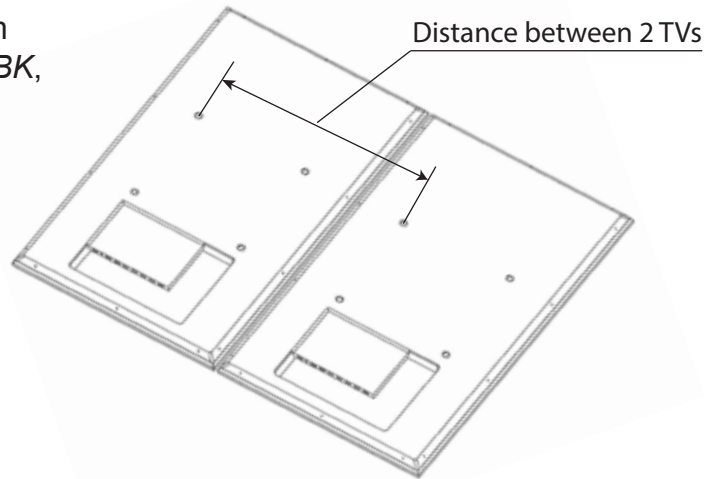


2. BE CAREFUL IF USE LADDERS OR STANDING ABOVE THE GROUND.
3. DO NOT ADJUST THE POSITION OF EXTRUSION WHEN TV IS ON THE BRACKET.
4. DO NOT USE CASTERS. HOLES IN THE BASE ARE FOR MOUNTING ONTO FLOOR ONLY.

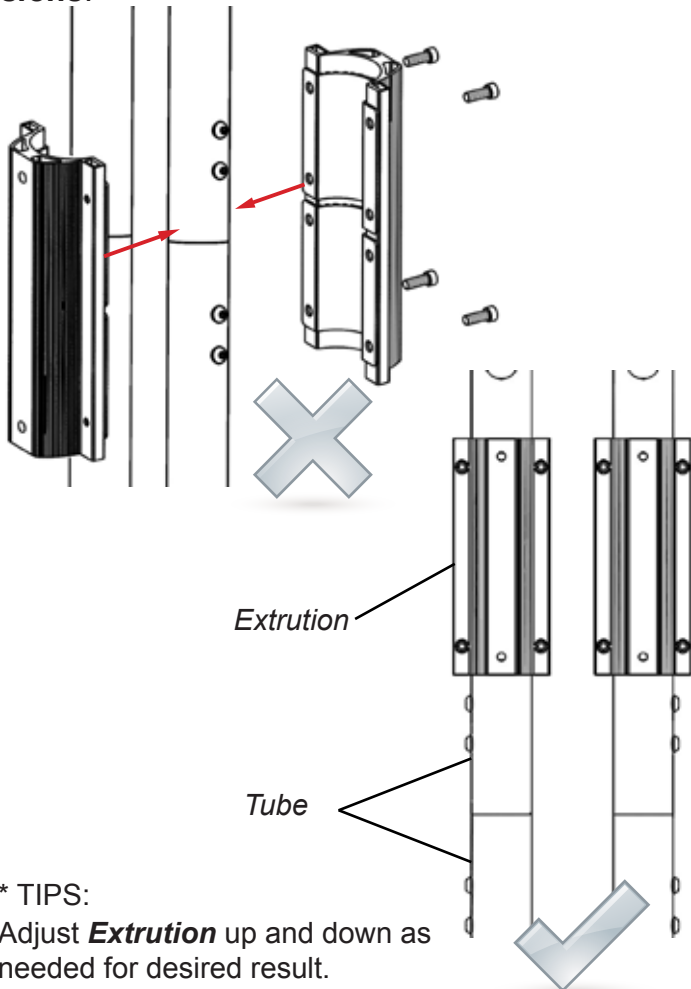
1. Before starting, measure and calculate the minimum distance between 2 TVs while hanging on *FLTBSPTBBK*, without interfering with each other.

NOTE:

- (1) *FLTBSPTBBK* can hold dual flat TVs up to 70", depending on different layouts and orientation.
- (2) TVs can not be rotated while 2 TVs are hung on the stand at the same time.
- (3) Image on the right shows 2 same size TVs, which the height is the minimum distance required. STEP 1. must be done if hanging 2 different size TVs, or hanging any 2 TVs at different orientations.

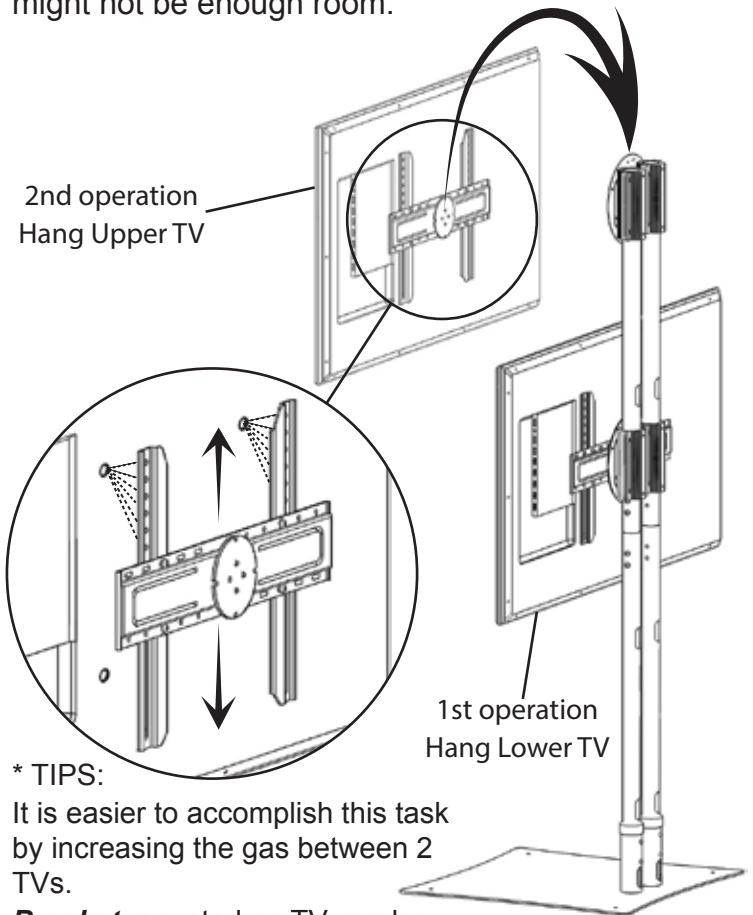


2. Avoid fastening **Extrusions** at the joint area of **2 Tubes**, where screws could interfere with the **Extrusions**.



* TIPS:
Adjust **Extrusion** up and down as needed for desired result.

3. Hang the lower TV first, then the upper one. It could be difficult to hang the lower TV last as there might not be enough room.



* TIPS:
It is easier to accomplish this task by increasing the gap between 2 TVs.
Bracket mounted on TV can be adjusted up and down to best fit and locate both TVs on the stand.

Still have questions? No worries. If you're confused during any step, just call the number located at the bottom of the Instruction pages. Our friendly representative will be more than happy to assist you.