

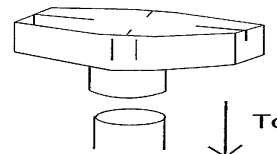
INSTRUCTION SHEET

72 CLIPPER™ Display

With a 16" Base

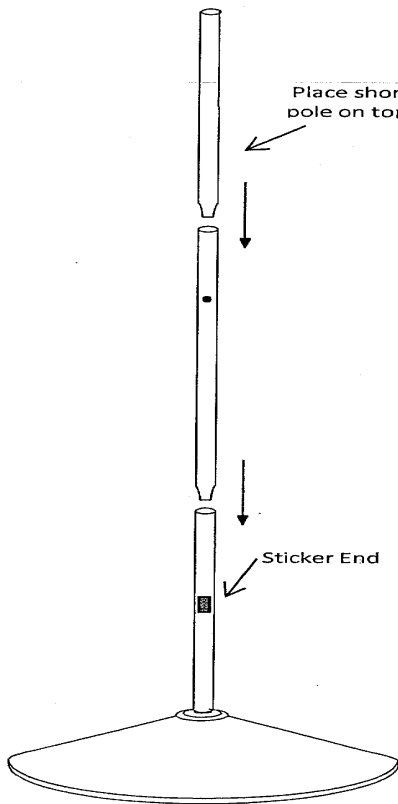
- CONTENTS:**
- ✓ 1- 16" Round Base
 - ✓ 1- Three Piece Pole Set
 - ✓ 2- CLIPPER™ Assemblies
 - ✓ 1-Support Pin
 - ✓ 1-Sign Clip

5



Top with
and

1

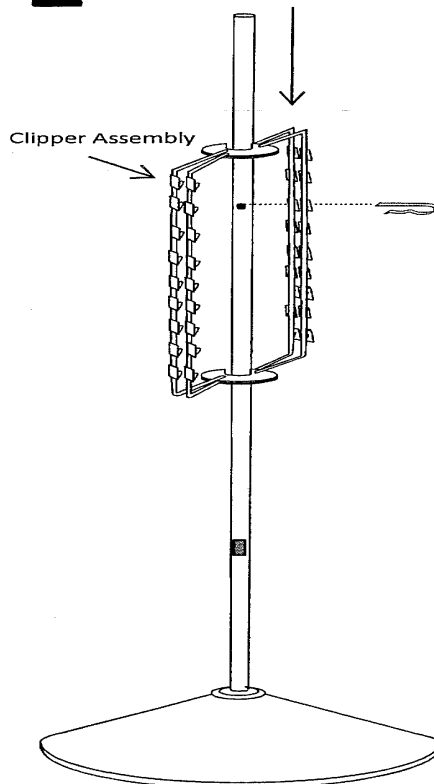


Place short (15")
pole on top

Sticker End

Insert pole into base,
sticker end down. Then
add middle and top
poles as shown.

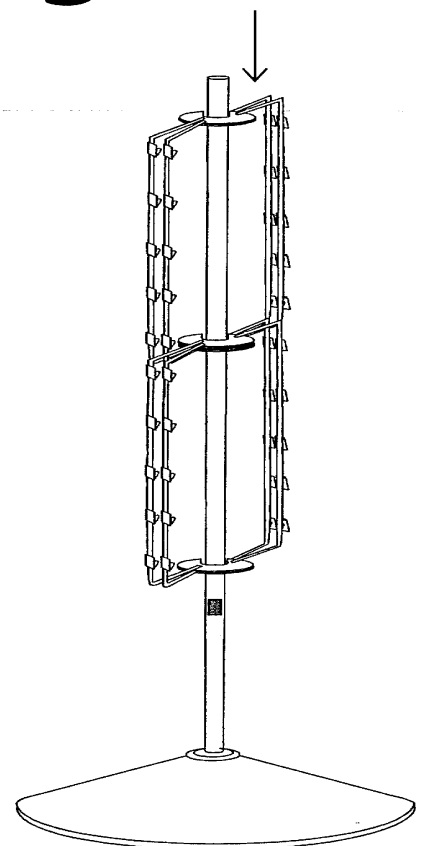
2



Clipper Assembly

Slide first Clipper
Assembly with Clips facing
DOWN over the pole until
the bottom of the
Assembly is below the
punched hole. Insert the
support pin and rest the
top of the Assembly on
the support pin.

3



Slide second Clipper
Assembly with clips
facing down over the
pole and rest on top
of the assembly
already in place.